

E3X-ZV & MZV

Cost-effective fiber optic amplifier

Minimum sensing object 0.3 μ m diameter

Intuitive operation and easy setup

Fast response time up to 50 μ s

Mutual interference protection

Large display for easy visualization

Smart Auto-Tuning

Two channels in one fiber amplifier*

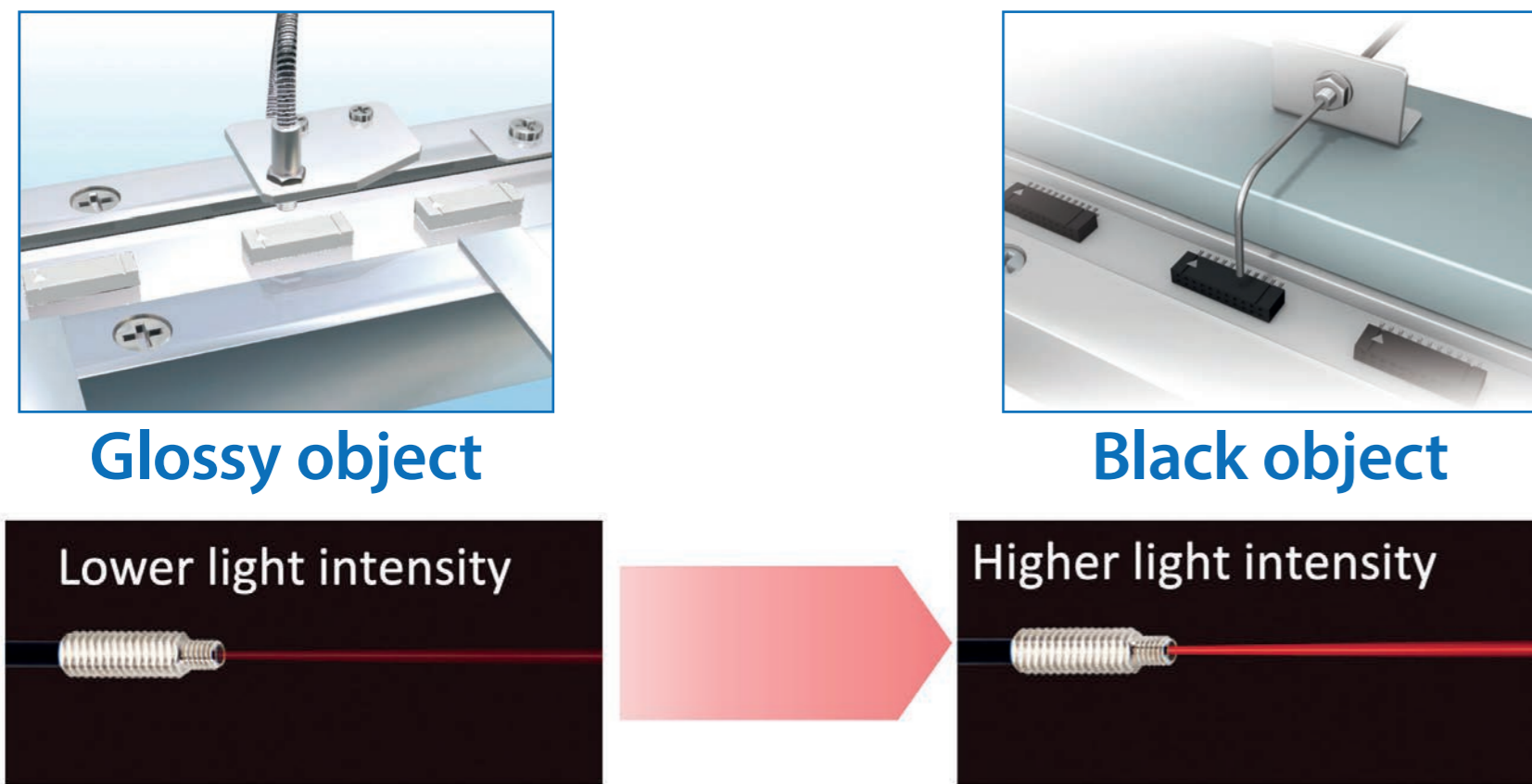
** E3X-MZV model*

Wire-saving connector models



E3X-ZV & MZV Cost-effective fiber optic amplifier

Automatic adjustment



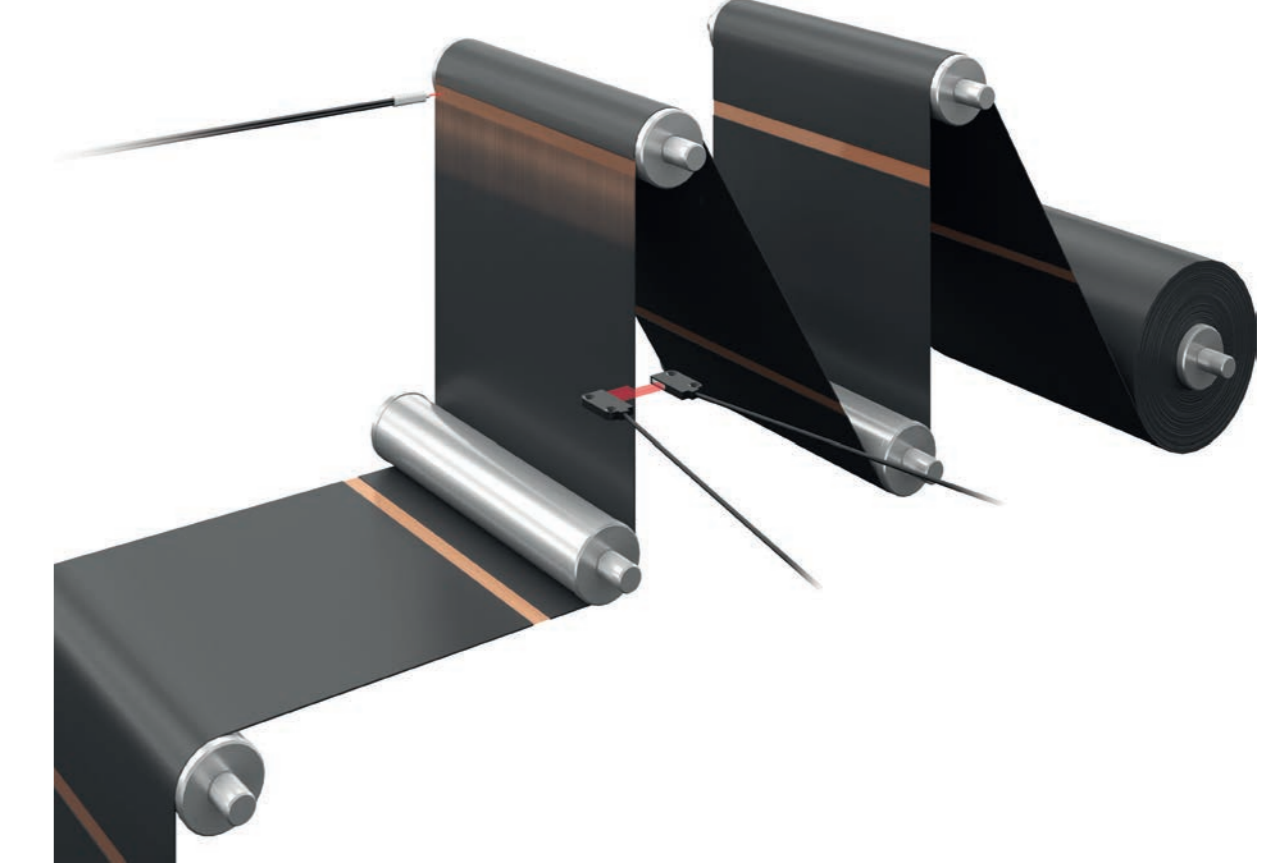
E3X-ZV & MZV stably detects from black to glossy objects. Light saturation is avoided, even when the background is a glossy surface, by sufficiently lowering the light intensity.

Intuitive operation and easy setup



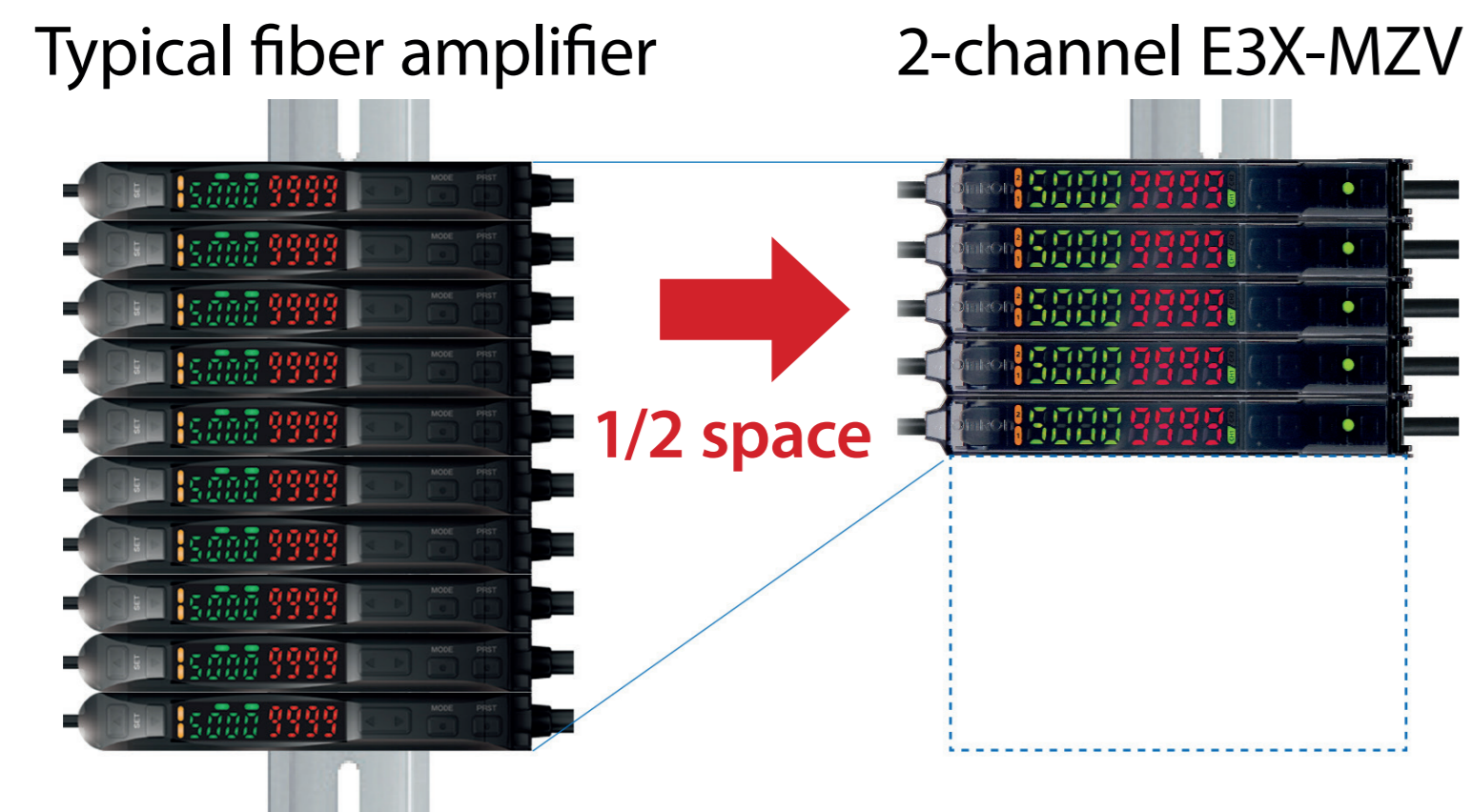
E3X-ZV & MZV series provide Smart Auto-Tuning button, which allows automatic teach to optimum values in dynamic without stop production.

Fast response time



E3X-ZV with a response time up to 50 μ s and **E3X-MZV** with 100 μ s, enable the stable detection of workpieces moving at high speed.

Downsized equipment and wire saving



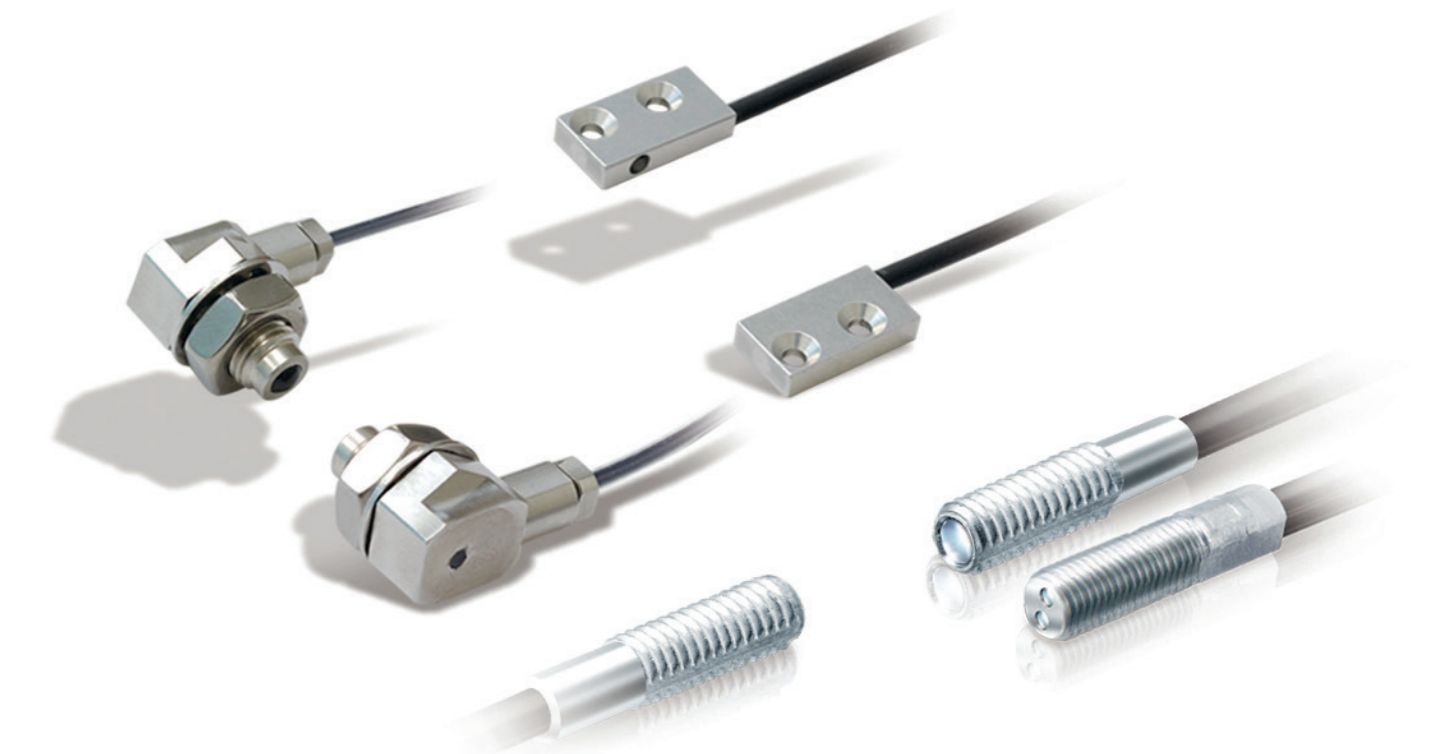
E3X-MZV has two fiber channels in the dimensions of the general one-unit, contributing to downsizing equipment and control panels.

Reduce wiring work



Power is supplied from the master connector; the slave connectors have output lines only. Since there are no master/slave distinctions in amplifier units, stock can be unified into one model.

Wide range of fiber heads



Wide range of **E32** fiber heads to solve any installation need. Multiple shapes and dimensions, including extreme temperatures, chemical resistant, cutting oil or vacuum resistant models.

E3X-ZV & MZV Cost-effective fiber optic amplifier Application Areas

Food and Commodities



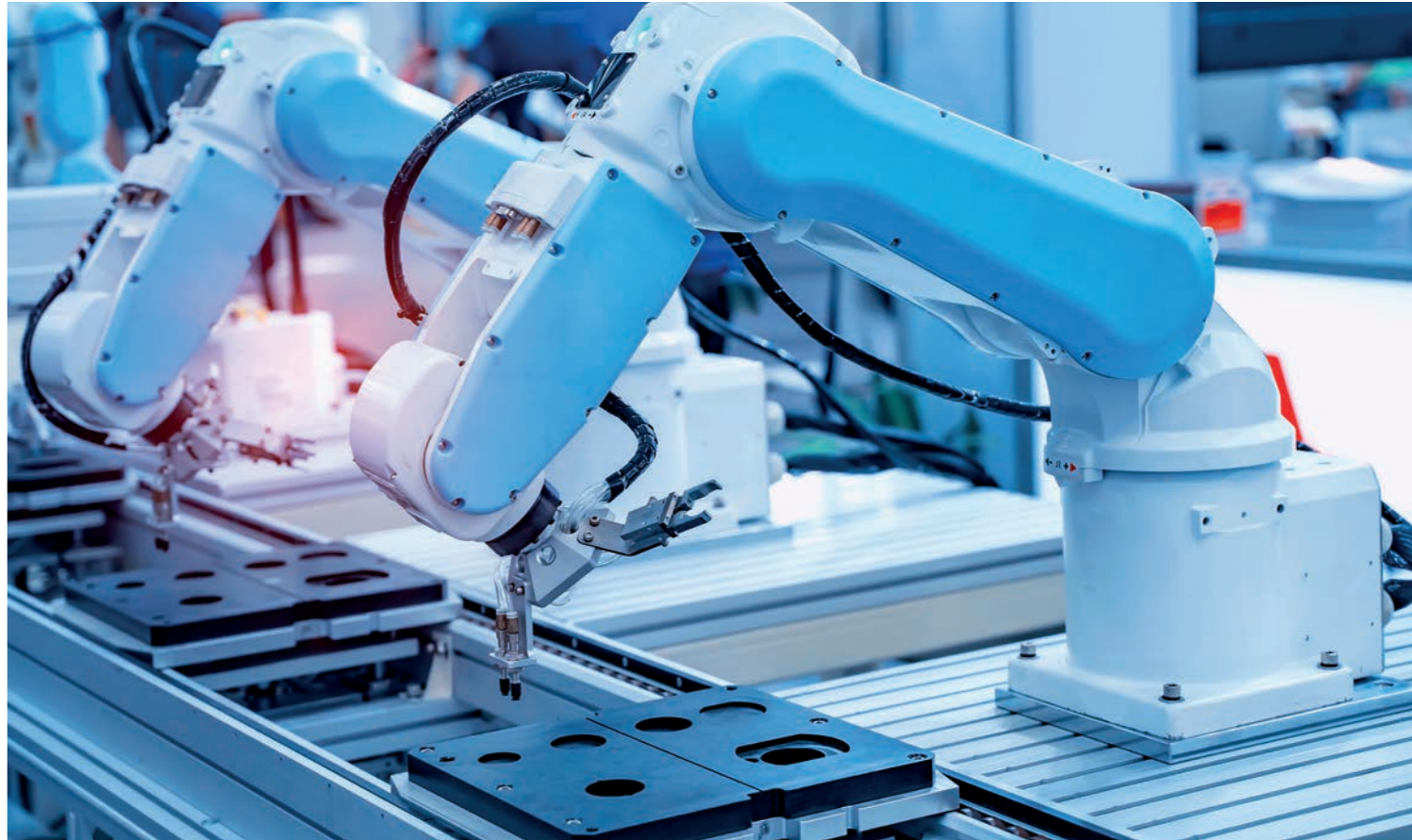
Fiber optic sensors are widely used in applications where it is necessary to check several product parts and/or with space restrictions.

Pharma



High performance and high speed applications that require reliable detection in challenging conditions

Environmental Mobility

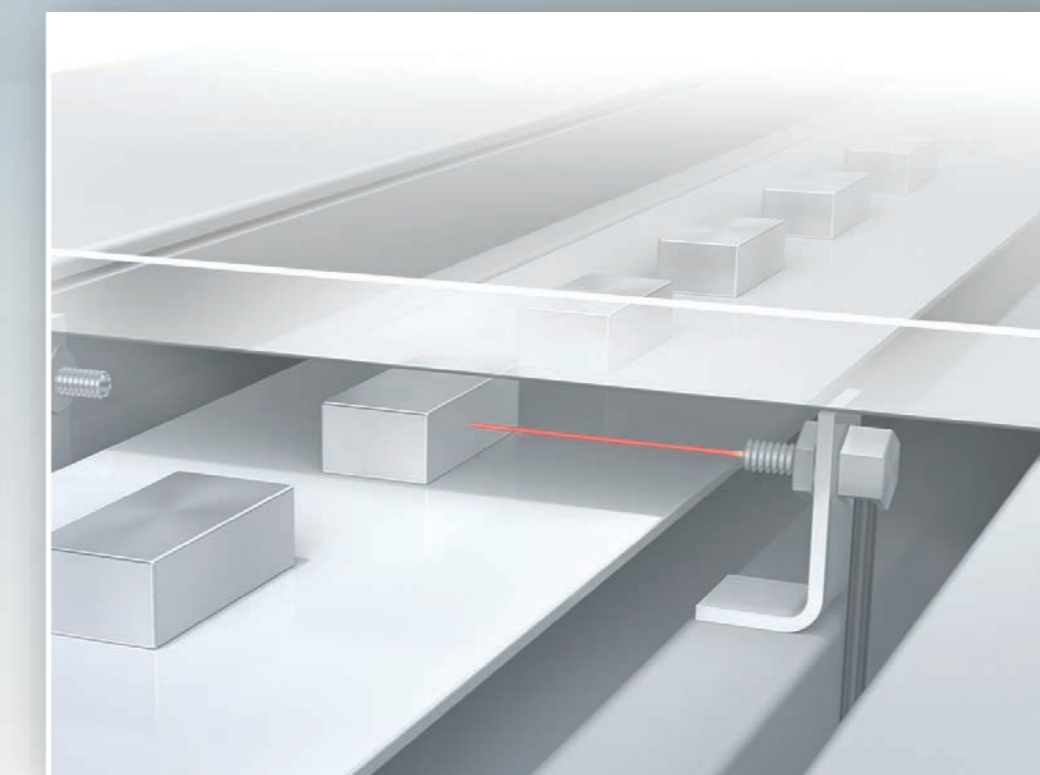
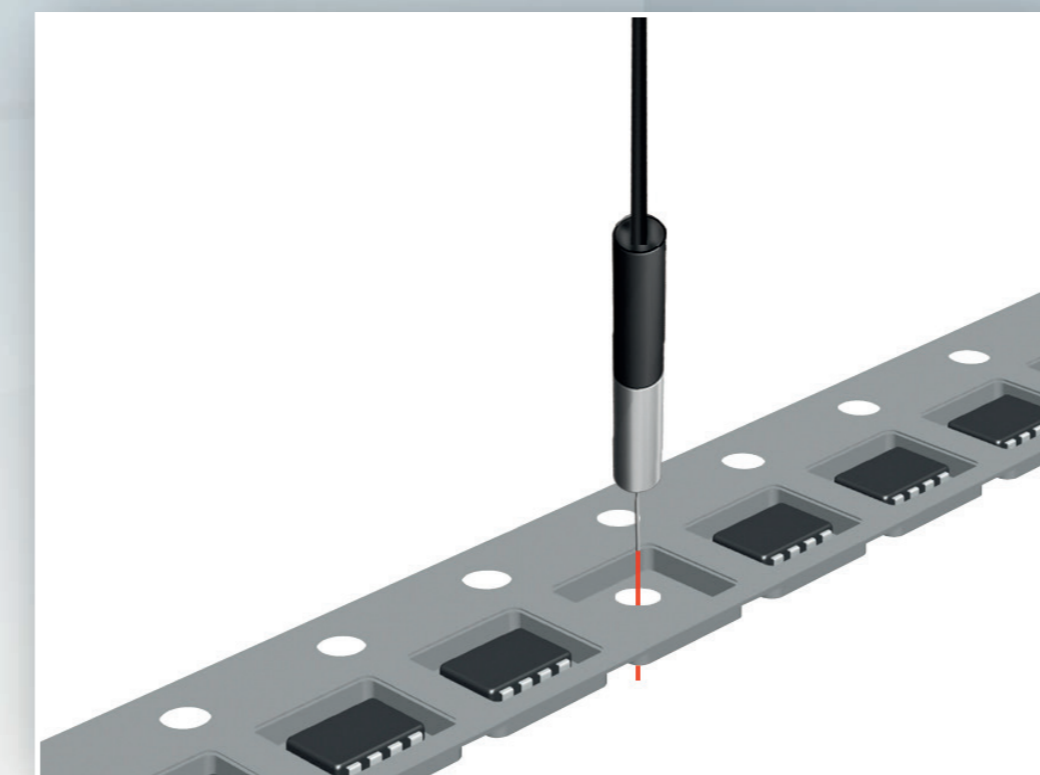
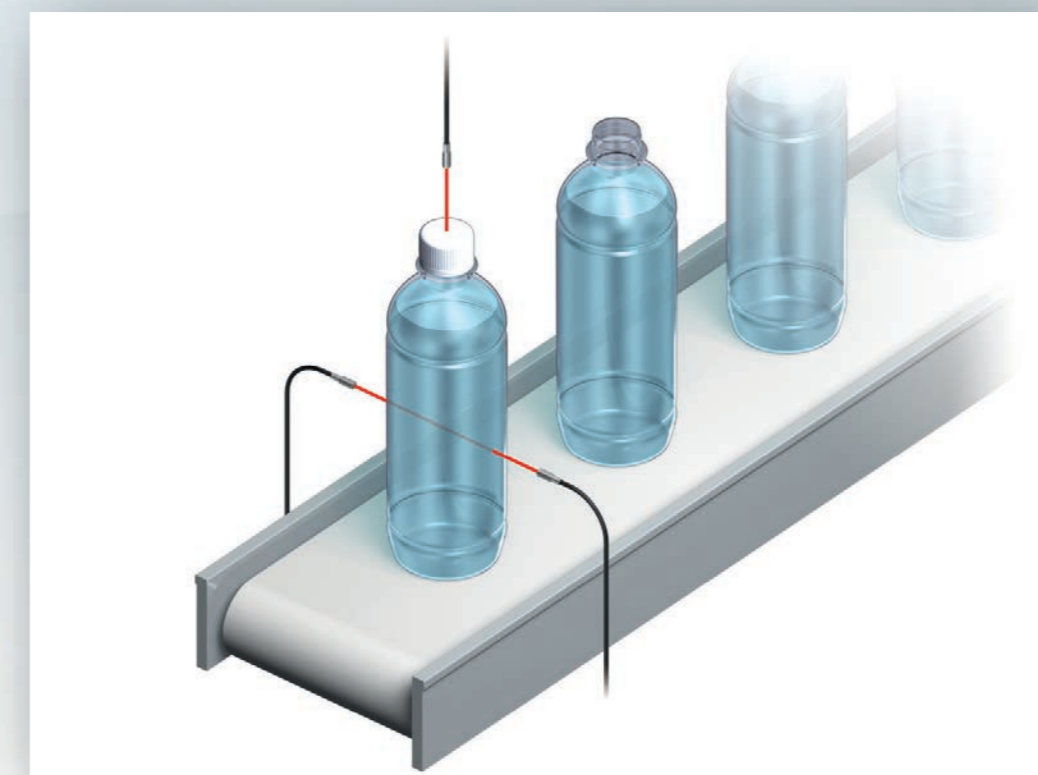


Assembly machinery for automotive industry use wide quantity of sensors. Space limitations restrictions are common

E3X-ZV & MZV Cost-effective fiber optic amplifier



Additional features

- Dynamic Power Control function, stable detection even incident light level change
- Mutual interference protection for closer use of fiber sensor heads
- User save function for fast start-up and recovery after reset
- Models with external input
- Timer function for maximum flexibility
- ECO function for energy saving
- Integrated logical operations: AND, XOR & SYNC*
- Key lock function, preventing malfunctions
- Models with wire-saving connectors, to reduce wiring work
- Up to 16 connectable units for cost-saving installation



* For double channel amplifier E3X-MZV

E3X-ZV & MZV Portfolio

Series	Product Name	Product Description
E3X-ZV 	E3X-ZV41 2M	Fiber amplifier, twin digital display, smart tuning, PNP, single output, 2 m cable
	E3X-ZV51 2M	Fiber amplifier, twin digital display, smart tuning, PNP, single output, external input, 2 m cable
	E3X-ZV8	Fiber amplifier, twin digital display, smart tuning, PNP, single output, system connector
	E3X-ZV9	Fiber amplifier, twin digital display, smart tuning, PNP, single output, external input, system connector
	E3X-ZV8M	Fiber amplifier, twin digital display, smart tuning, PNP, single output, enhanced timer function, system connector
	E3X-ZV11 2M	Fiber amplifier, twin digital display, smart tuning, NPN, single output, 2 m cable
	E3X-ZV21 2M	Fiber amplifier, twin digital display, smart tuning, NPN, single output, external input, 2 m cable
	E3X-ZV6	Fiber amplifier, twin digital display, smart tuning, NPN, single output, system connector
	E3X-ZV7	Fiber amplifier, twin digital display, smart tuning, NPN, single output, external input, system connector
	E3X-ZV6M	Fiber amplifier, twin digital display, smart tuning, NPN, single output, enhanced timer function, system connector
E3X-MZV 	E3X-MZV41 2M	Fiber amplifier, twin digital display, smart tuning, PNP, double output, 2 m cable
	E3X-MZV51 2M	Fiber amplifier, twin digital display, smart tuning, PNP, double output, double external input, 2 m cable
	E3X-MZV8	Fiber amplifier, twin digital display, smart tuning, PNP, double output, system connector
	E3X-MZV11 2M	Fiber amplifier, twin digital display, smart tuning, NPN, double output, 2 m cable
	E3X-MZV21 2M	Fiber amplifier, twin digital display, smart tuning, NPN, double output, double external input, 2 m cable
	E3X-MZV6	Fiber amplifier, twin digital display, smart tuning, NPN, double output, system connector