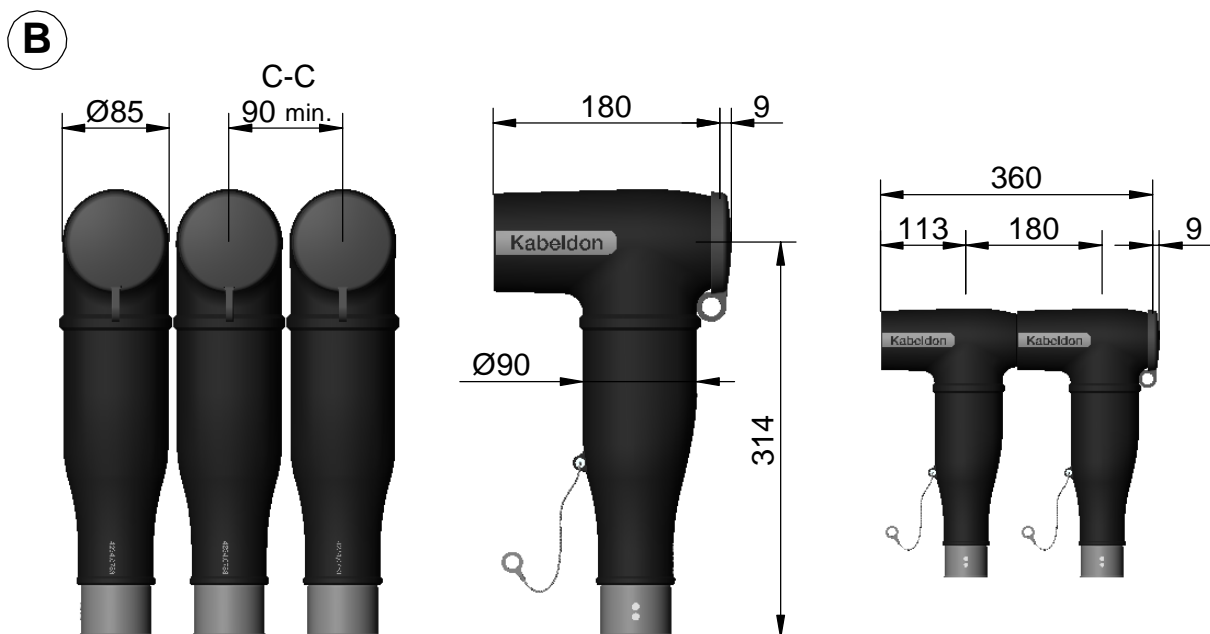
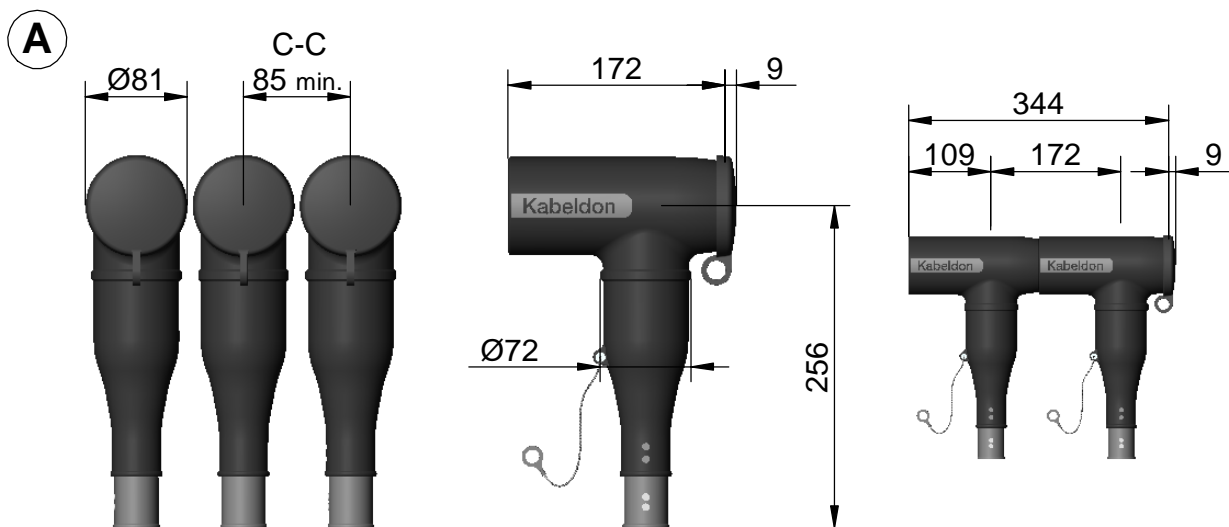


We reserve all rights in this document and the information contained therein. Reproduction, use or disclosure to third parties without expressed authority is strictly forbidden.
© Copyright 2017 NKT Group

	Product	Cross section range [mm ²]	XLPE Ø range [mm]	Um [kV]	BIL [kV]
A	CSE-A 12630-01	25 - 70	13 - 20	12	95
	CSE-A 12630-02	95 - 300	18,5 - 30,5		
B	CSE-A 12630-03	400 - 630	30,5 - 45		
A	CSE-A 24630-01	25 - 70	17 - 24	24	125
	CSE-A 24630-02	95 - 300	22,5 - 35		
B	CSE-A 24630-03	400 - 630	30,5 - 45		
Um - Highest voltage for equipment BIL - Basic insulation level					
Rated current, In / Interface type C1				630	A
Rated current, In / Interface type C2				1250	A

Cable connector type
CSE-A 630
for bushing 400 series, 630 A
Interface type: **C** - bolted M16
According EN 50181



B
CN
02 AL
14017
01
12693
00
12645

Scale 1:6	Prepared 2010.06.02 RL	Document kind	Date
Approved GA		Title Data Sheet CSE-A 12/24 630	Page
A4 Resp. Kabeldon cable accessories		Document id. 42340779,0	Rev. B