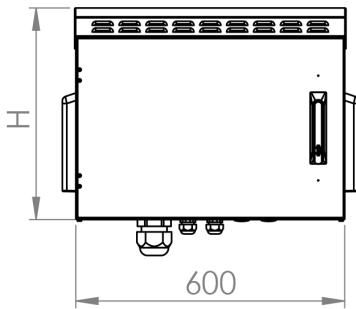
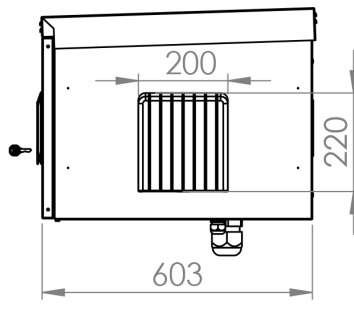


EUROLAN Wall cabinet

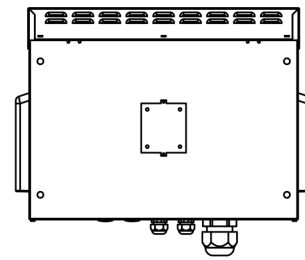
**IP55 IN/OUTDOOR 600X600 7/9/12U**



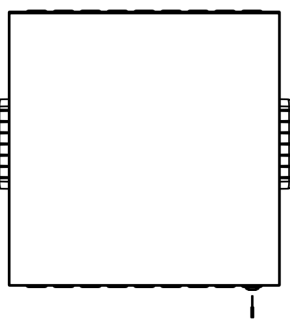
FRONT VIEW



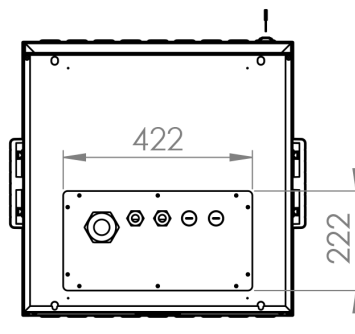
SIDE VIEW



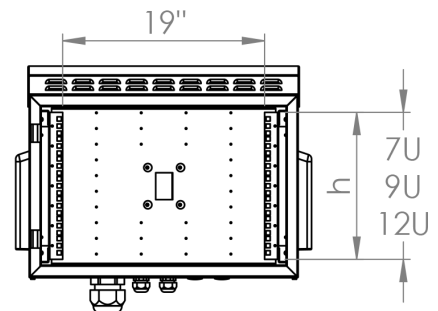
REAR VIEW



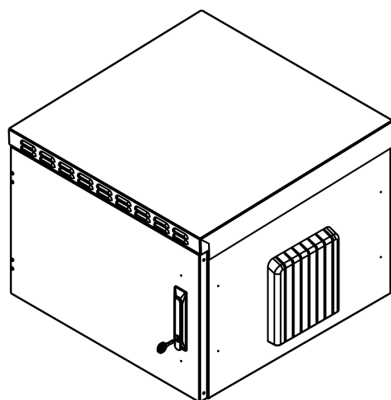
TOP VIEW



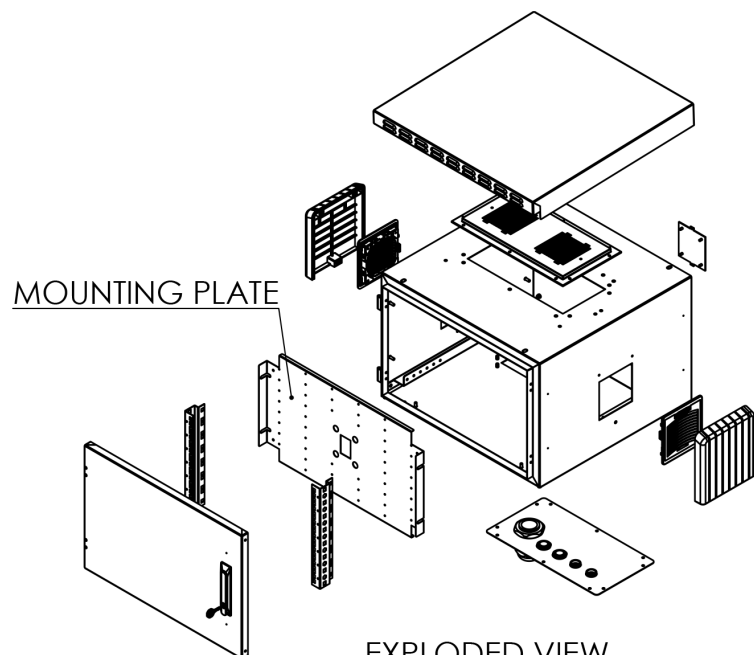
BOTTOM VIEW



FRONT INSIDE VIEW



ISOMETRIC VIEW



EXPLODED VIEW