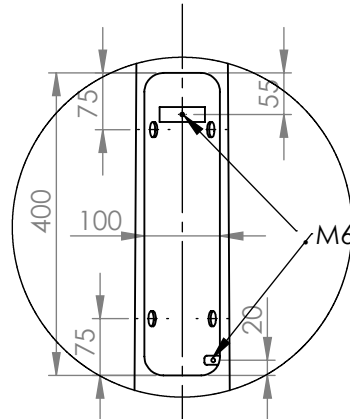


DETAIL A  
SCALE 1 : 5



DETAIL B  
SCALE 1 : 10



konicitet 11 mm/m

Ritad av: TH	Datum: 2010-12-16	Godk. av:	Godk./Datum:	Material: S235JRG2	Vikt: 53.06 kg	Tolerans: ISO 2768-1 c Skarpa kanter brutna	Format: A4
-----------------	----------------------	-----------	--------------	-----------------------	-------------------	---	---------------



Benämning:  
KLS 65/60-132 FL

Skala:  
1:35

Order:

Revision:  
A

THIS DRAWING AND ALL OPPURTENANT MATTER SHALL REMAIN THE COMPANY MORA MAST AB PROPERTY. THEY SHALL NOT WITHOUT OUR WRITTEN PERMISSION, EITHER IN THEIR ORIGINAL STATE OR WITH ANY CHANGES BE COPIED OR MANIFOLDED, SHOWN TO OR IN ANY OTHER WAY COMMUNICATED TO OR HANDED OVER TO ANY PART.

Ritningsnummer:  
7781857

Blad:  
1/1