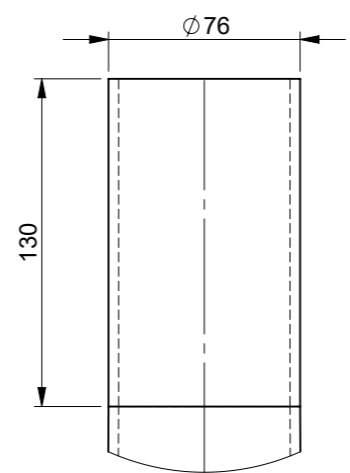
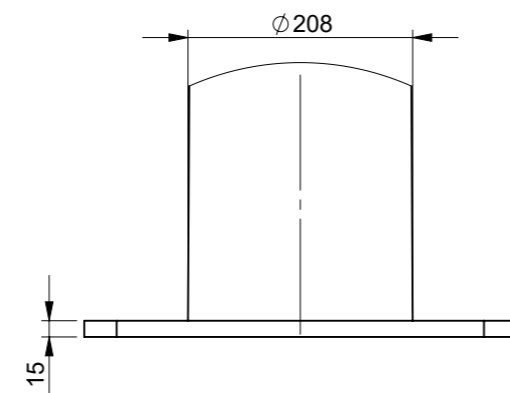


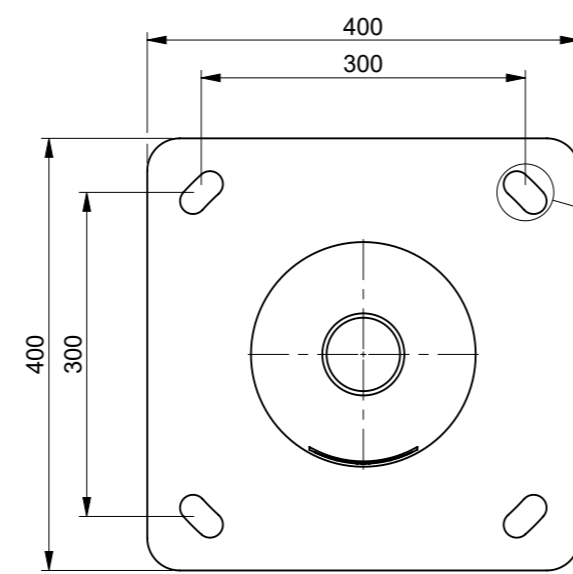
Infälld lucka
Lucköppning
400x100



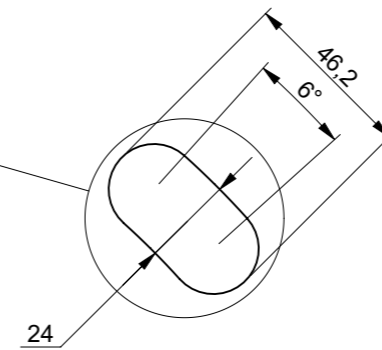
DETAIL A
SCALE 1 : 3



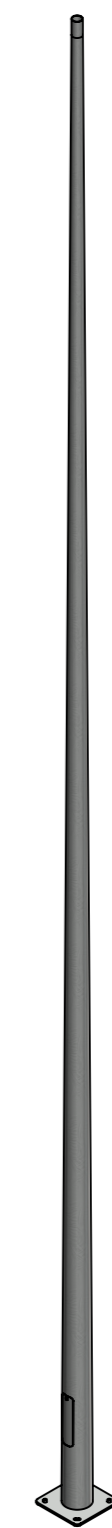
DETAIL B
SCALE 1 : 7



TOP VIEW
SCALE 1 : 7



DETAIL C
SCALE 1 : 2



Konicitet 11 mm/m

- Övriga anvisningar**
- Tillverkad enligt: SS-EN 40
 - Varmförzinkad enligt: SS-EN 1461
 - Där annat inte anges gäller generell tolerans.
 - Skarpa kanter brutna



This drawing and all appurtenant matter shall remain the company Mora Mast AB property. They shall not without our written permission, either in their original state or with any changes be copied or manifolded, shown to or in any other way communicated to or handed over to any part.

Material:	Generell tolerans:	Ritad av:	Datum:	Skala:
Benämning:	SS-EN 40	MG	2019-05-17	1:50
Ritningsnr:		Godk. av:	Godk./Datum:	Format:
7781849		BA	2024-03-05	A3
	Vikt:	Rev:	Status:	Blad:
	179.68 kg	B	Released	1/1