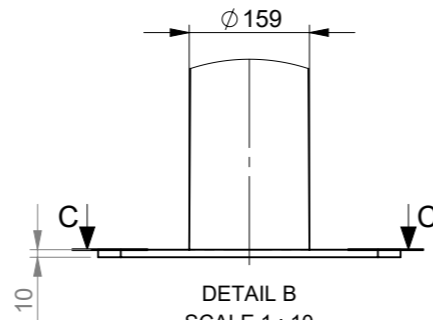
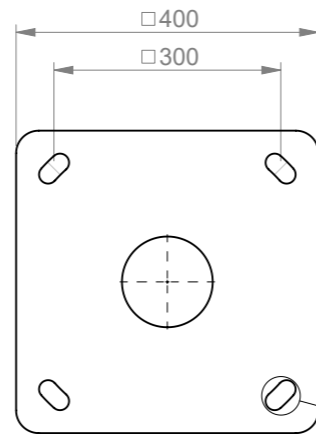


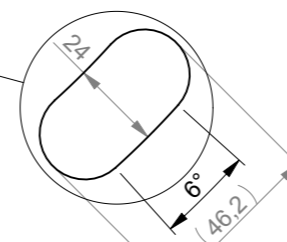
DETAIL A
SCALE 1 : 5



DETAIL B
SCALE 1 : 10



SECTION C-C
SCALE 1 : 10



DETAIL D
SCALE 1 : 2



- Övriga anvisningar**
- Tillverkad enligt: SS-EN 40
 - Varmförzinkad enligt: SS-EN 1461
 - Där annat inte anges gäller generell tolerans.
 - Skarpa kanter brutna
 - Konicitet 11 mm/m



This drawing and all appurtenant matter shall remain the company Mora Mast AB property. They shall not without our written permission, either in their original state or with any changes be copied or manifolded, shown to or in any other way communicated to or handed over to any part.

Material:	Generell tolerans: SS-EN 40	Ritad av: TH	Datum: 2010-12-16	Skala: 1:35
Benämning: KLS 75/76-159 FP		Godk. av: BA	Godk./Datum: 2022-08-30	Format: A3
Ritningsnr: 7781845	Vikt: 74.42 kg	Rev: B	Status: Released	Blad: 1/1