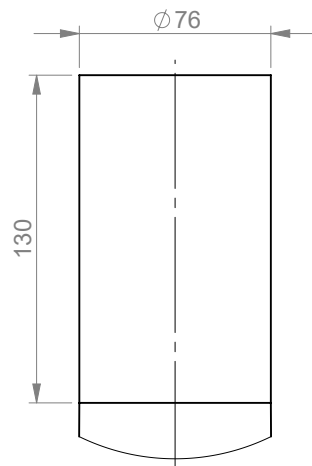
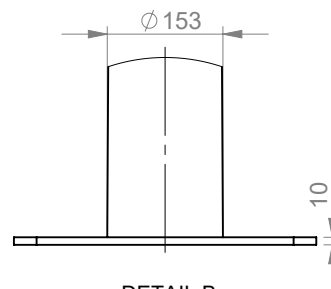


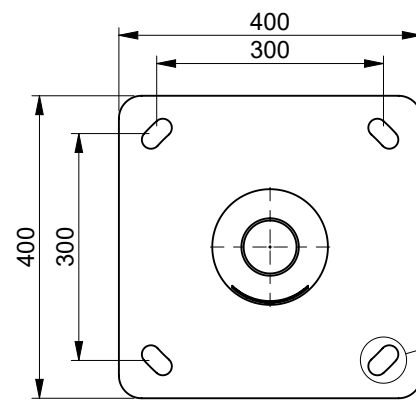
Infälld lucka  
Lucköppning  
400x100



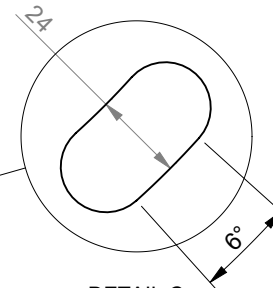
DETAIL A  
SCALE 1 : 3



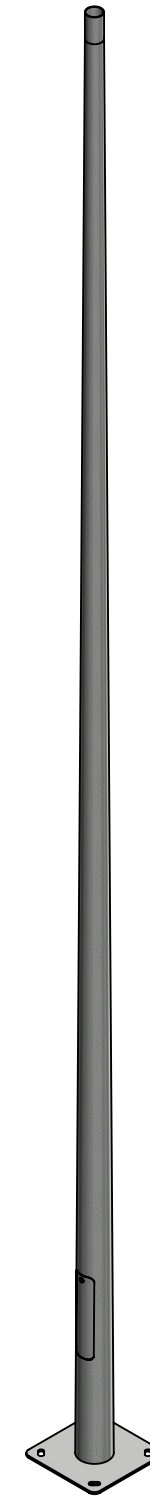
DETAIL B  
SCALE 1 : 10




TOP VIEW  
SCALE 1 : 10



DETAIL C  
SCALE 1 : 2



Konicitet 11 mm/m

Skarpa kanter brutna	Ritad av:	Datum:	Godk. av:	Godk./Datum:	Material:	Status:	Vikt:	Tolerans:	Skala:
	TH	2010-12-16	SA	2021-08-20		Released	68.88 kg	ISO 2768-1 c	1:30
						Benämning: <b>KLS 70/76-153 FP</b>		Format: <b>A3</b>	
						Ritningsnr: <b>7781844</b>		Rev: <b>B</b>	
						<small>This drawing and all oppurtenant matter shall remain the company Mora Mast AB property. They shall not without our written permission, either in their original state or with any changes be copied or manifolded, shown to or in any other way communicated to or handed over to any part.</small>		Blad: <b>1/1</b>	