

A

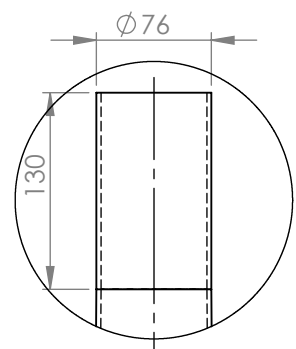
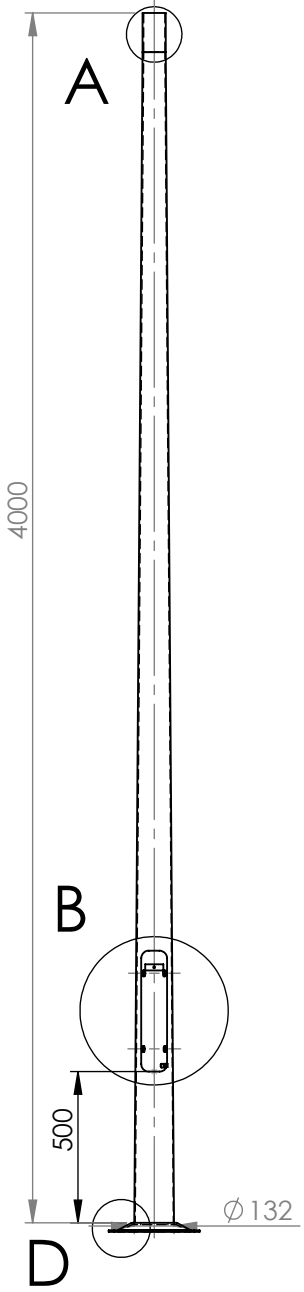
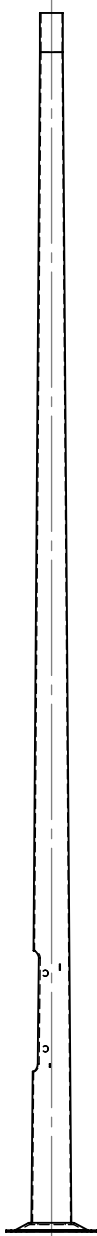
B

C

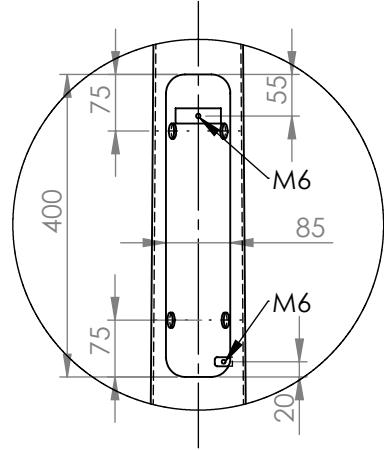
D

E

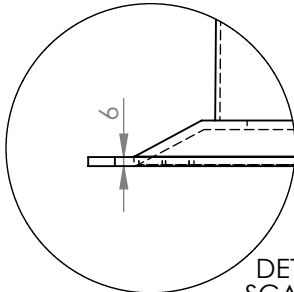
F



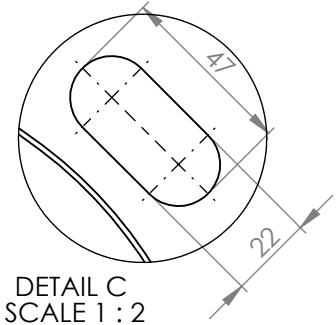
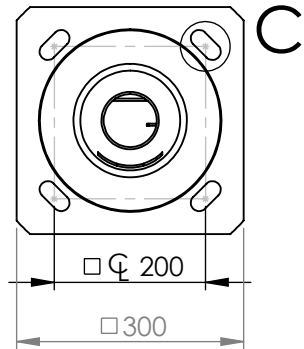
DETAIL A  
SCALE 1 : 5



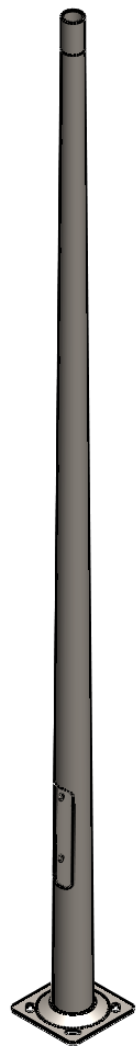
DETAIL B  
SCALE 1 : 10



DETAIL D  
SCALE 1 : 5



DETAIL C  
SCALE 1 : 2



konicitet 14mm/m

Ritad av: TH	Datum: 2010-12-16	Godk. av:	Godk./Datum:	Material: S235JRG2	Vikt: 32.80 kg	Tolerans: ISO 2768-1 c Skarpa kanter brutna	Format: A4
-----------------	----------------------	-----------	--------------	-----------------------	-------------------	---	---------------



Benämning: KLS 40/76-132 FP	Skala: 1:25
Order:	Revision: A
Ritningsnummer: 7781838	Blad: 1/1

THIS DRAWING AND ALL OPPURTENANT MATTER SHALL REMAIN THE COMPANY MORA MAST AB PROPERTY. THEY SHALL NOT WITHOUT OUR WRITTEN PERMISSION, EITHER IN THEIR ORIGINAL STATE OR WITH ANY CHANGES BE COPIED OR MANIFOLDED, SHOWN TO OR IN ANY OTHER WAY COMMUNICATED TO OR HANDED OVER TO ANY PART.