

A

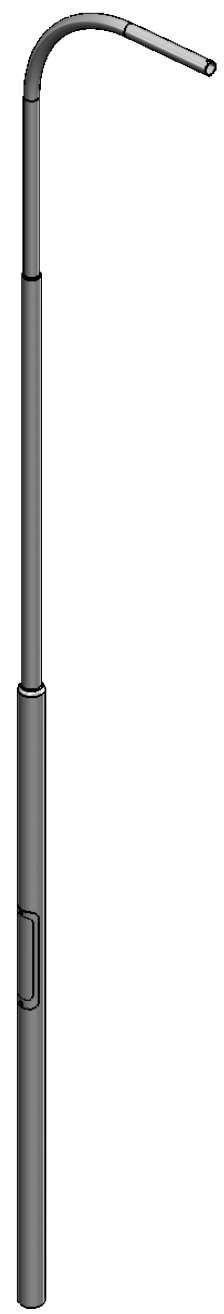
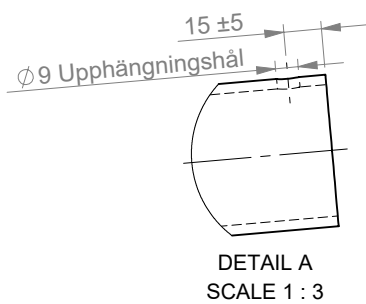
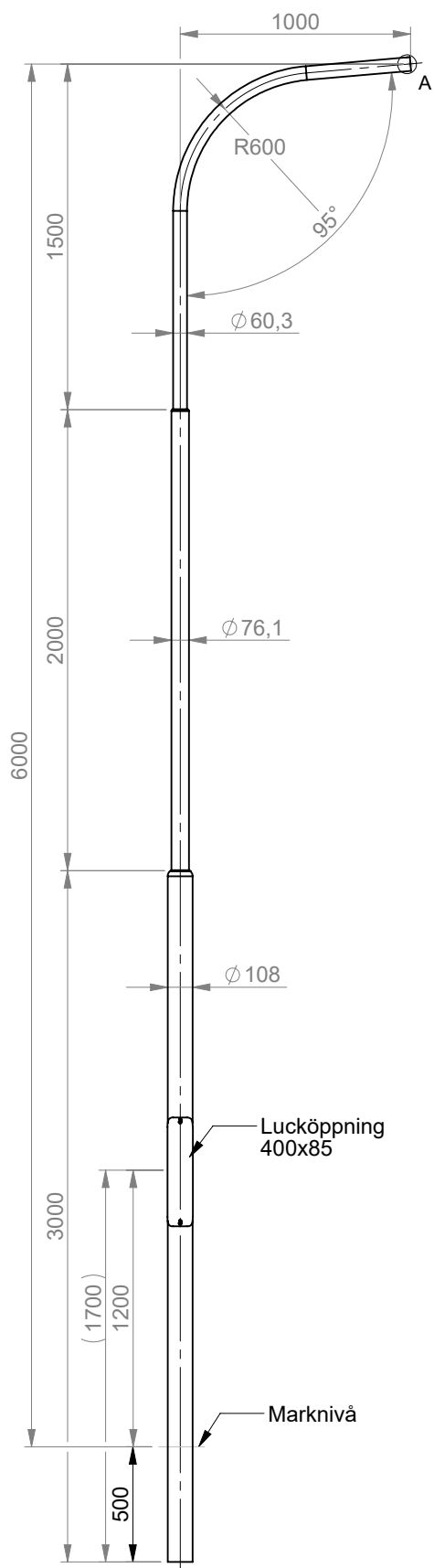
B

C

D

E

F



Skarpa kanter brutna

Ritad av: TH	Datum: 2012-06-28	Godk. av: SA	Godk./Datum: 2017-03-22	Material:	Status: Released	Vikt: 45.67 kg	Tolerans: ISO 2768-1 c	Skala: 1:30
-----------------	----------------------	-----------------	----------------------------	-----------	---------------------	-------------------	---------------------------	----------------



This drawing and all oppurtenant matter shall remain the company Mora Mast AB property. They shall not without our written permission, either in their original state or with any changes be copied or manifolded, shown to or in any other way communicated to or handed over to any part.

Benämning:  
MMSH60 E10

Ritningsnr:  
7780712

Rev:  
B

Format:  
A4

Blad:  
1/1