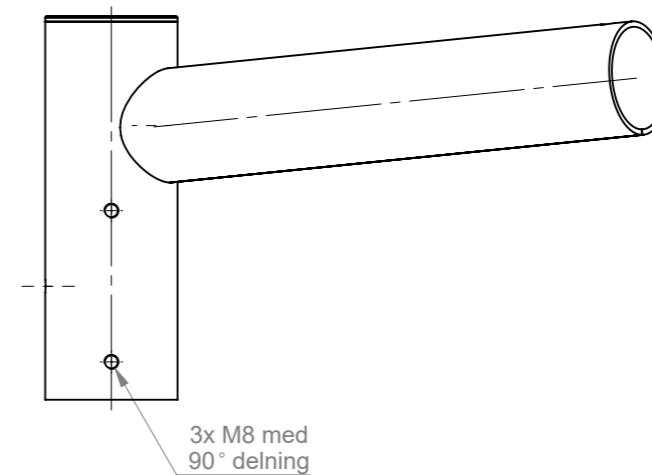
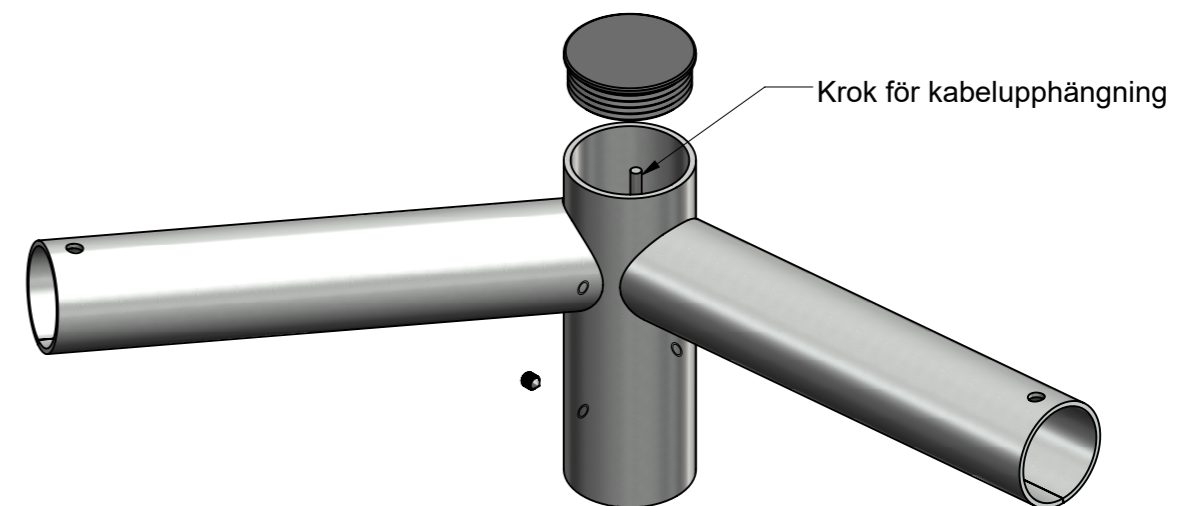
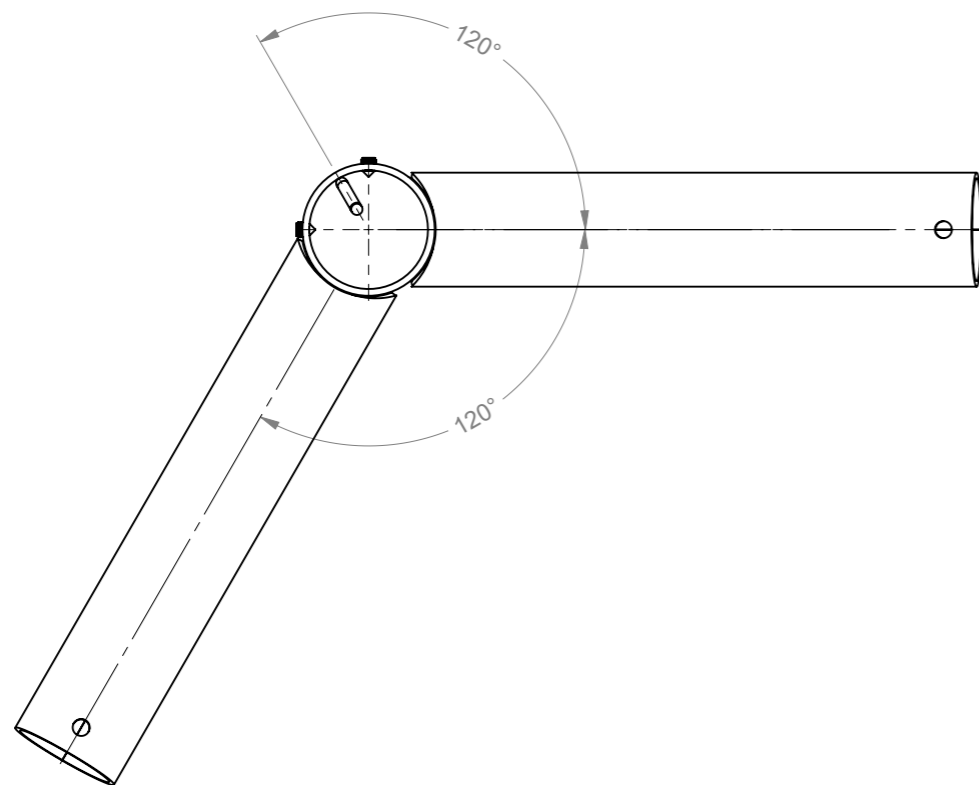



Skrubar dolda i denna vy



Topplock dolt i denna vy



Skarpa kanter brutna	Ritad av:	Datum:	Godk. av:	Godk./Datum:	Material:	Status:	Vikt:	Tolerans:	Skala:
	EN	2021-04-15	SA	2021-05-05		Released	3.51 kg	ISO 2768-1 c	1:4
						Benämning: Krona 2A L300 D60 T60 V95 DV120		Format: A3	
						Ritningsnr: ST2977		Rev: A	
								Blad: 1/1	

This drawing and all oppurtenant matter shall remain the company Mora Mast AB property. They shall not without our written permission, either in their original state or with any changes be copied or manifolded, shown to or in any other way communicated to or handed over to any part.