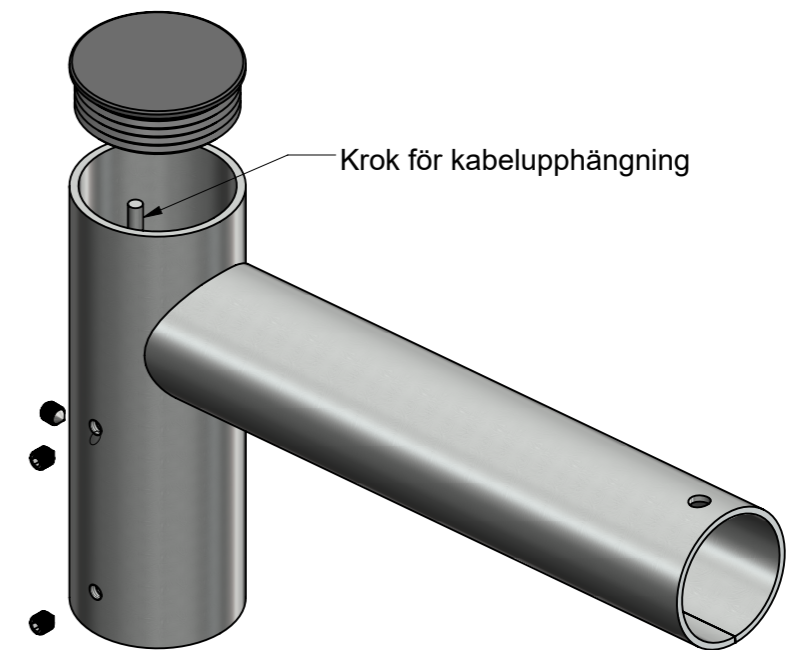
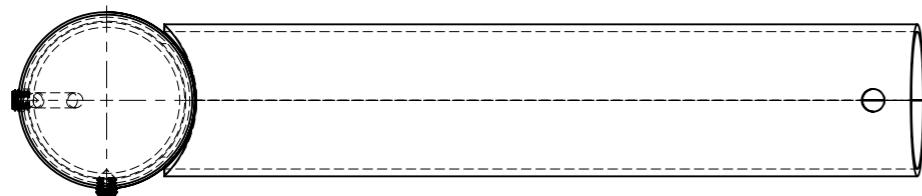
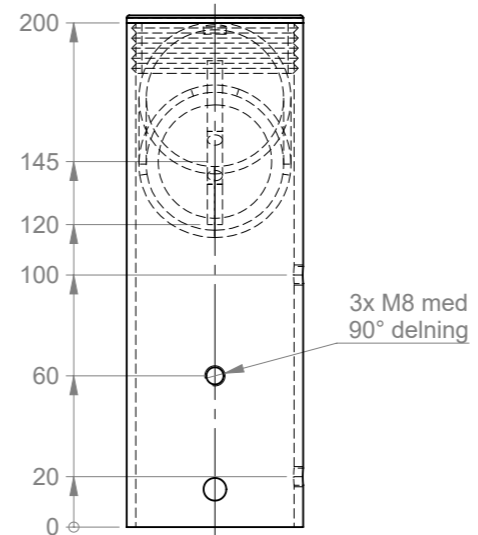



Skrubar dolda i denna vy



Skarpa kanter brutna	Ritad av:	Datum:	Godk. av:	Godk./Datum:	Material:	Status:	Vikt:	Tolerans:	Skala:
	MM	2016-12-13	SA	2020-10-29		Released	2.36 kg	ISO 2768-1 c	1:3
						Benämning: 1A L300 D60 T60 V95		Format: A3	
						Ritningsnr: 7780136		Rev: C	
						<small>This drawing and all oppurtenant matter shall remain the company Mora Mast AB property. They shall not without our written permission, either in their original state or with any changes be copied or manifolded, shown to or in any other way communicated to or handed over to any part.</small>		Blad: 1/1	