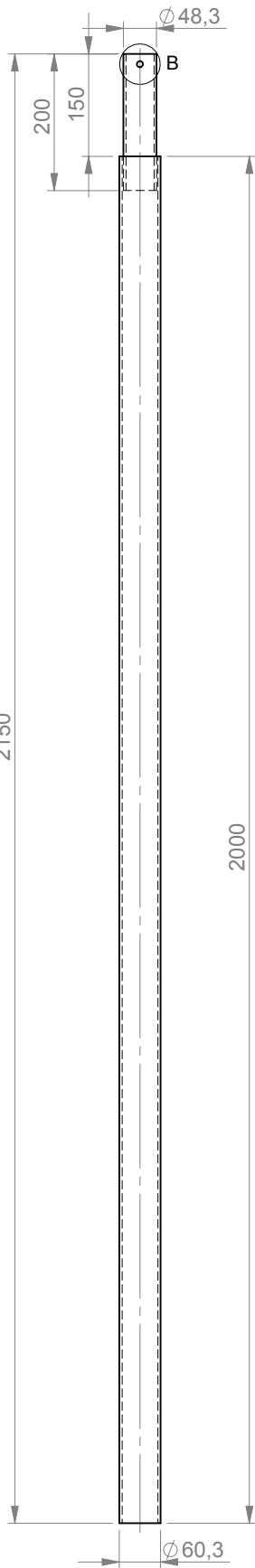
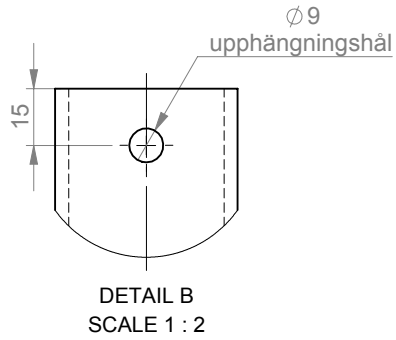


A



B




C

D

E



Skarpa kanter brutna

F	Ritad av:	Datum:	Godk. av:	Godk./Datum:	Material:	Status:	Vikt:	Tolerans:	Skala:
	MM	2015-10-06	SA	2015-10-08		Released	11.82 kg	ISO 2768-1 c	1:10
						Benämning: Stolpförlängare D60 L2000 AD48 TAPP		Format: A4	
This drawing and all oppurtenant matter shall remain the company Mora Mast AB property. They shall not without our written permission, either in their original state or with any changes be copied or manifolded, shown to or in any other way communicated to or handed over to any part.						Ritningsnr: 7780083		Rev: A	
								Blad: 1/1	