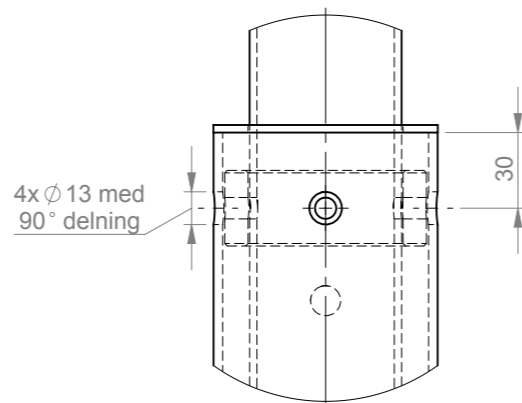
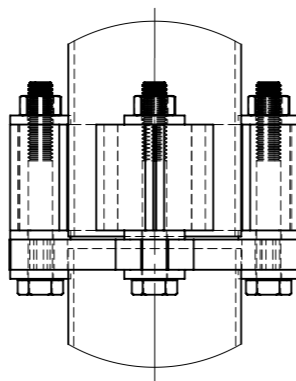


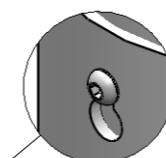
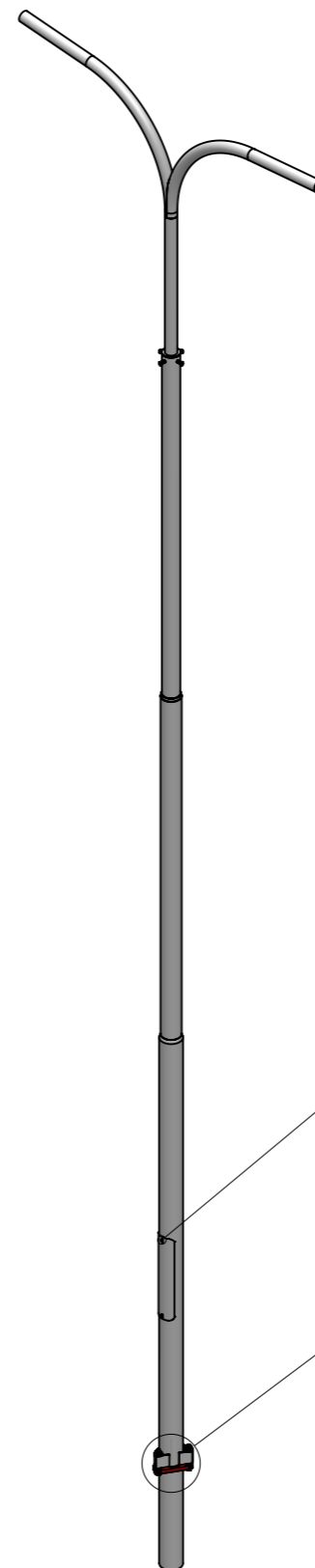
Stoppkruvar dolda i denna vy



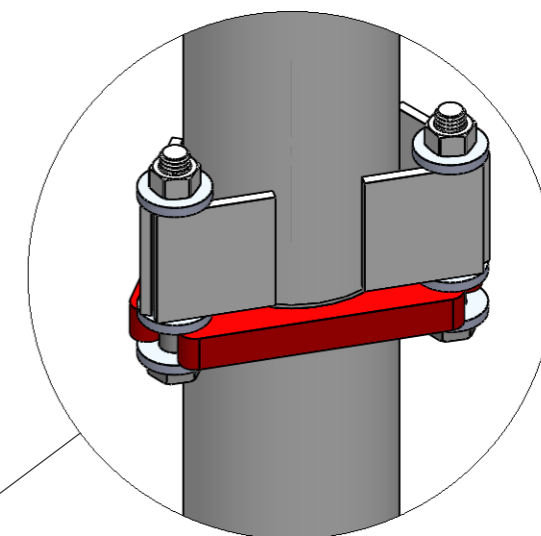
DETAIL F
SCALE 1 : 3



DETAIL C
SCALE 1 : 5



DETAIL B
SCALE 1 : 2



DETAIL A
SCALE 1 : 4

M16 skruvar momentdras 130Nm
efter färdig stolpe

Ritad av: MM	Datum: 2015-09-07	Godk. av: SA	Godk./Datum: 2015-09-07	Material:	Status: Released	Vikt: 85.31 kg	Tolerans: ISO 2768-1 c	Skala: 1:35
Skarpa kanter brutna				Benämning: MMSH80 D10 G2		Ritningsnr: 7775115		Rev: A
				<small>This drawing and all oppurtenant matter shall remain the company Mora Mast AB property. They shall not without our written permission, either in their original state or with any changes be copied or manifolded, shown to or in any other way communicated to or handed over to any part.</small>		<small>Format: A3</small>		<small>Blad: 1/1</small>