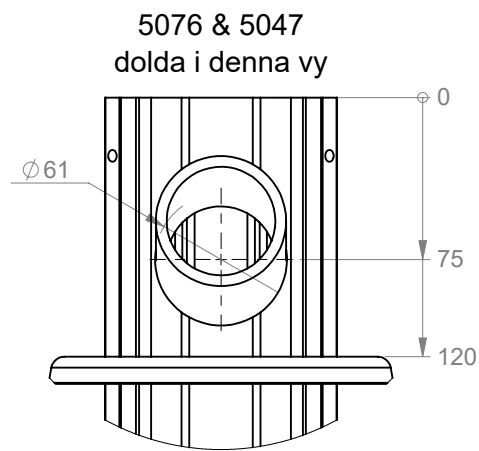
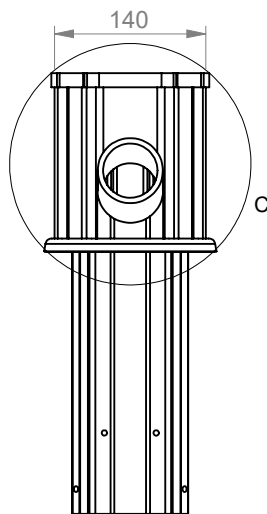
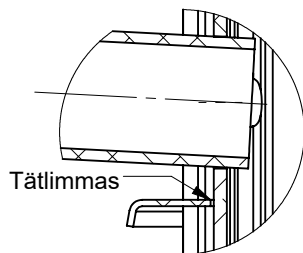


SECTION A-A

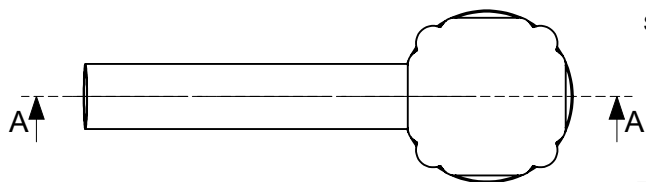
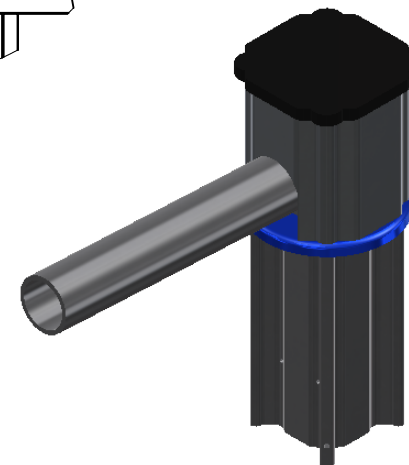


DETAIL C
SCALE 2 : 7


5076 dold i denna vy



DETAIL B
SCALE 2 : 7



Skarpa kanter brutna

Ritad av: TH	Datum: 2009-06-22	Godk. av: SA	Godk./Datum: 2016-11-28	Material:	Status: Released	Vikt: 4.35 kg	Tolerans: ISO 2768-1 c	Skala: 1:7
					Benämning: Stoltopp enkel MSE603		Format: A4	
Ritningsnr: 7775081							Rev: A	Blad: 1/1

This drawing and all oppurtenant matter shall remain the company Mora Mast AB property. They shall not without our written permission, either in their original state or with any changes be copied or manifolded, shown to or in any other way communicated to or handed over to any part.