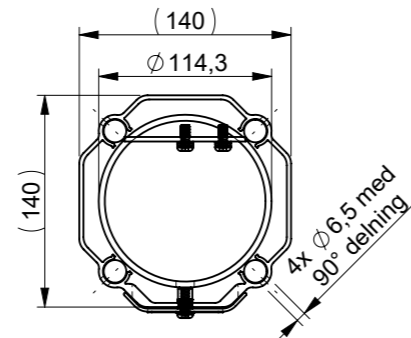
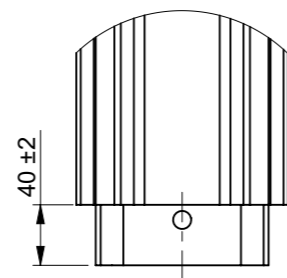


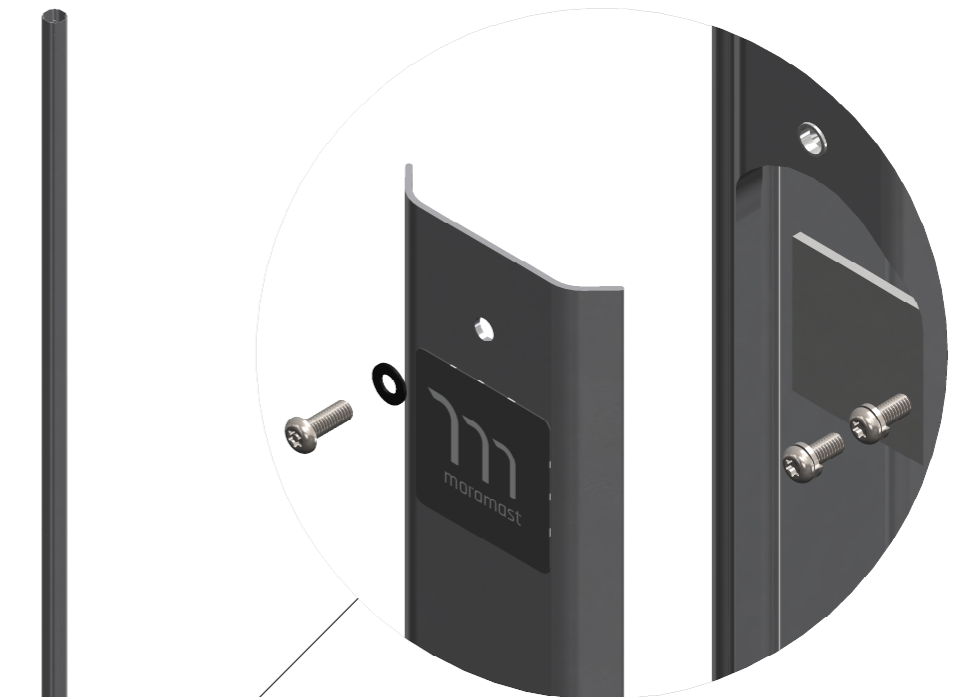
DETAIL D  
SCALE 1 : 5



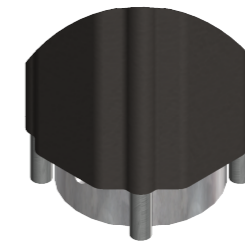
TOP VIEW  
SCALE 1 : 5



DETAIL A  
SCALE 1 : 5



DETAIL H  
SCALE 1 : 2



DETAIL E  
SCALE 1 : 5

**Övriga anvisningar**

- Tillverkad enligt: SS-EN 40
- Där annat inte anges gäller generell tolerans.
- Skarpa kanter brutna
- Övrig dokumentation
  - I0023 - Montageinstruktion Morastolpar



This drawing and all appurtenant matter shall remain the company Mora Mast AB property. They shall not without our written permission, either in their original state or with any changes be copied or manifolded, shown to or in any other way communicated to or handed over to any part.

Material:	Generell tolerans:	Ritad av:	Datum:	Skala:
	SS-EN 40	TH	2012-05-11	1:45
Benämning:		Godk. av:	Godk./Datum:	Format:
MSX80 LE RL		BA	2024-02-15	A3
Ritningsnr:	Vikt:	Rev:	Status:	Blad:
7775070	60.64 kg	C	Released	1/1