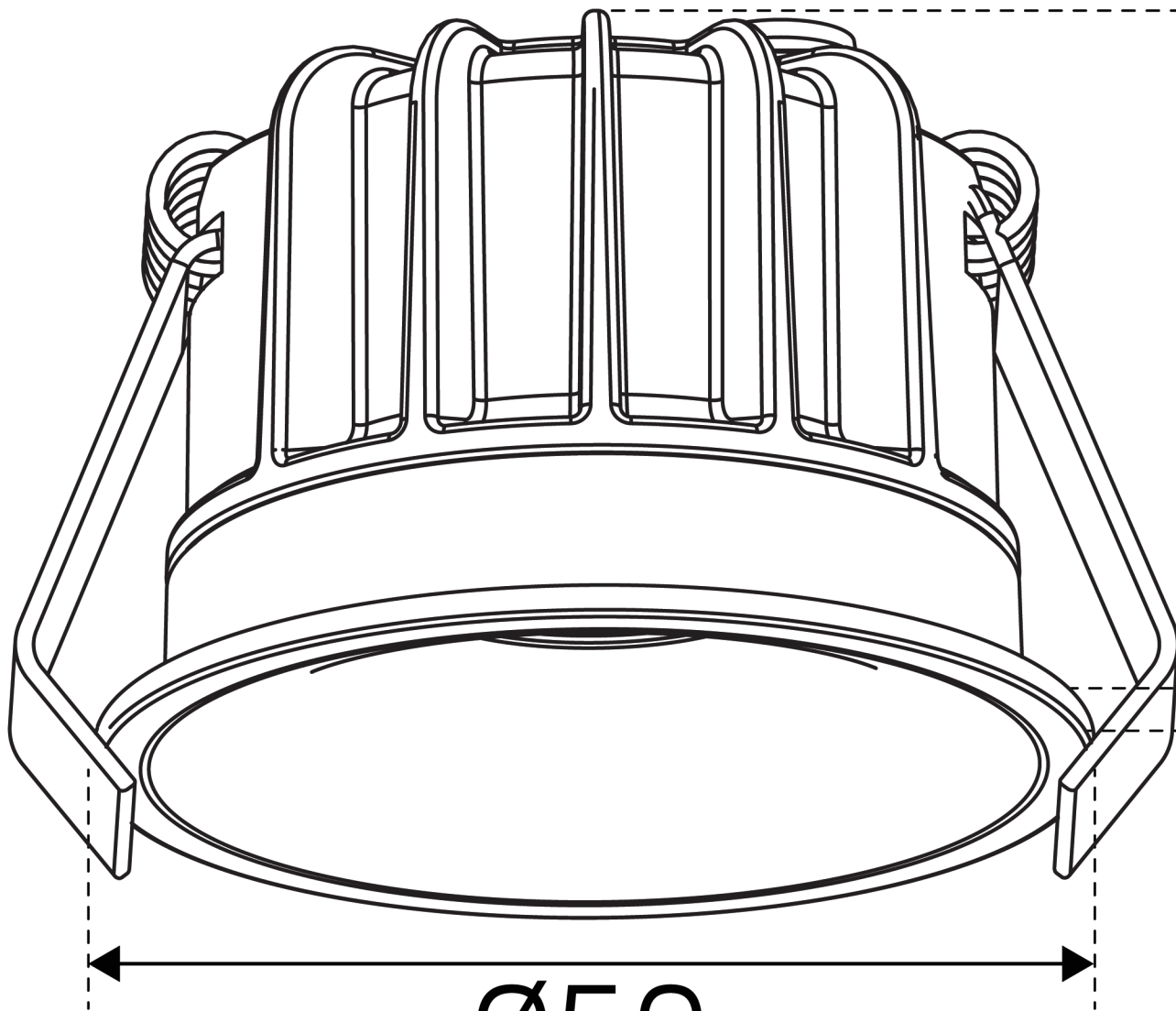


(mm)



36
38

$\text{Ø}50$