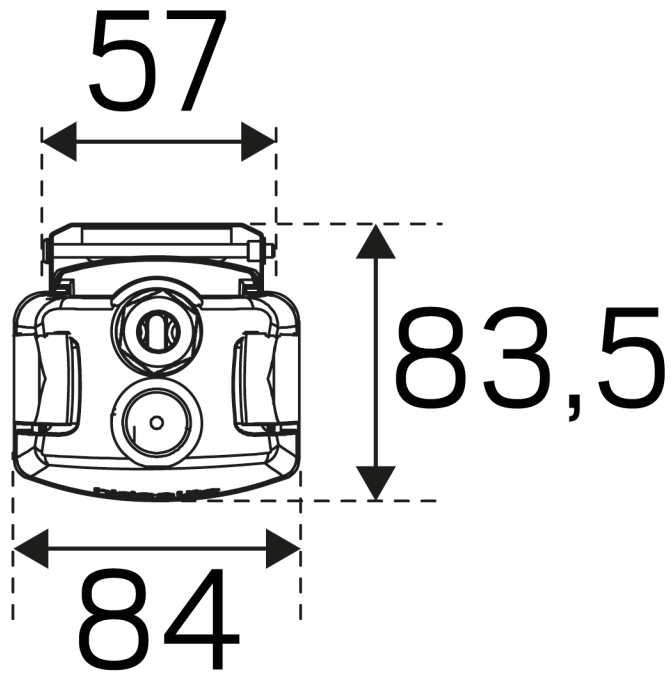
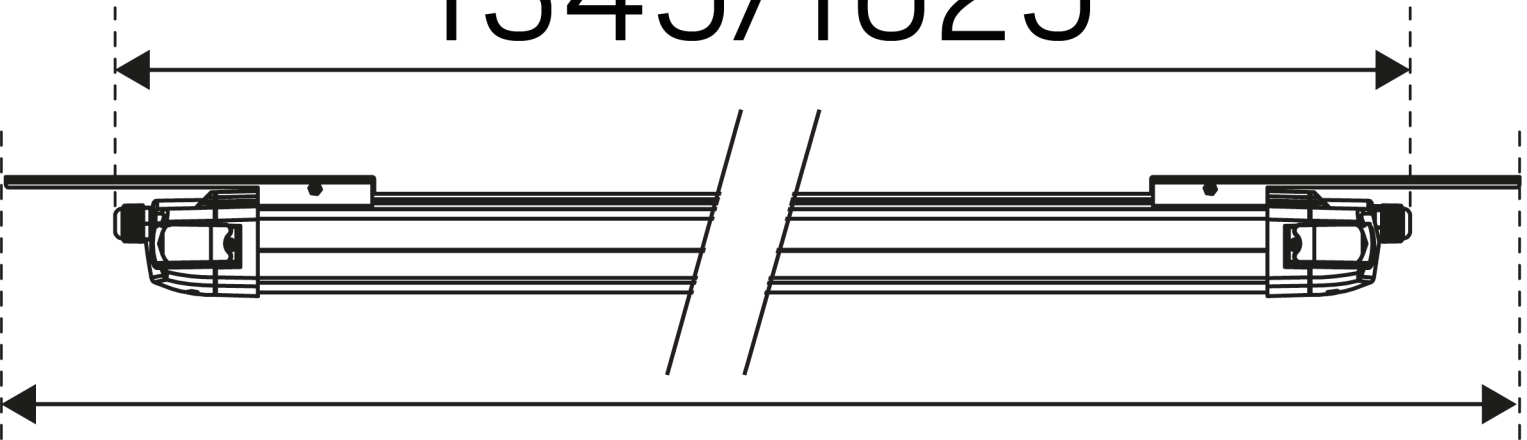


(mm)



1345/1625



1494/1774

