



Overview

ACOUSTIC SIGNALS - INTRINSICALLY SAFE - ELECTRONIC SOUNDER

The Moflash Intrinsically Safe IS-S Series is a reliable signalling solution for fire, security and hazardous environments, approved for explosive atmospheres in both Group I (mining) and Group II (above ground) applications. Designed to meet strict safety standards, it provides an acoustic warning where traditional electrical equipment cannot be used safely.

Fully certified to EN54-3, for areas with flammable gases, dust, or vapours, the IS-S Series ensures safety and compliance with international standards. Its Group I approval suits underground mining and methane or coal dust environments, while Group II approval makes it ideal for above-ground industrial sectors like oil, gas, and chemical plants.

The IS-S Series offers a 2 stage alarm with 32 tones selectable via a DIP switch on the PCB, and provides a sound output of up to 105dB at 1 meter.

For safety and compliance, the units must be powered through a suitably rated and approved Zener Barrier or Galvanic Isolator. **Please note that 1 barrier/isolator must be used to power each product.**

Features

- Diode Polarised & End of Line resistor compatible
- Suitable for ceiling or wall mounting
- 2 Stage Alarm
- 32 Selectable Tones
- Cable entry : 3 x M20
- Available in 24vDC
- Group I (Mining) & Group II (Above Ground)
- Zone: Gas 0, 1, 2 & Dust 20, 21, 22

Material

- Flame Retardant Polycarbonate UL94 V2



66



Up to 105dB* (A) @ 1m



32 Tones



ATEX, IECEx, UKEX, EN54-3



>90% at 20°C (Humidity)



-40 to +60°C (Ambient)

*dB is dependent on the Tone selected

APPROVALS & CONFORMITIES



Ordering Information

Voltage		Ordering Information	Mode & Current Consumption*
Nominal Voltage	Voltage Range	Product Code	Tone 1 (Pre-set Tone)
24vDC	16-28vDC	IS-S-02	21mA @24vDC

*Current draw may vary depending on the Barrier or Isolator used. Moflash obtained these figures through testing with the Barriers and Isolators listed on this Datasheet. Whilst other manufacturers' products can be used, their parameters must meet the product's requirements.

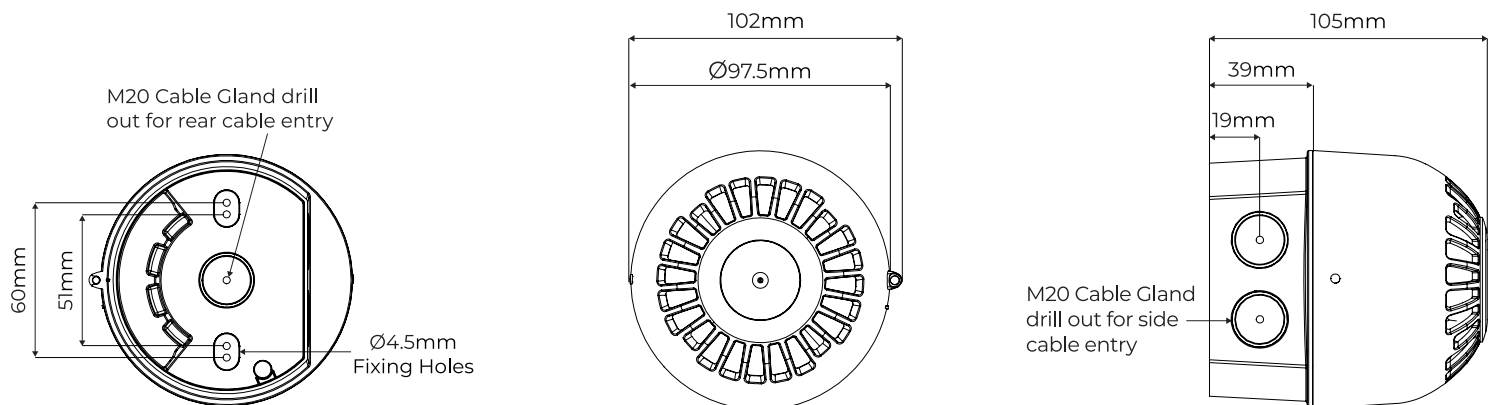
Certification Information

Certification Approvals for Hazardous Area			
Certificates	• EMT17ATEX0012X (ATEX), EMT 17.0005X (IECEX) & EMA21UKEX0022X (UKEX)		
Groups	• Group I : Mining	• Group II : Above Ground	
EX Codes	• I M1 Ex ia I Ma	• II G D Ex ia IIC T6 Ga • II G D Ex ia IIIC T ₂₀₀ 85°C Da	
Standards	• EN / IEC 60079-0	• EN / IEC 60079-11	
Zones	• Gas Zone : 0, 1 & 2	• Dust Zone : 20, 21 & 22	
Entity Parameters	• Ui = 28v	• li = 93mA	• Pi = 660mW • Ci = 0 • Li = 0

Certification Approvals			
Certificates	• BRE 2831-CPR-F231 (BRE)	• 1448a (LPCB)	
Approval	• EN54-3:2001 + A1:2002 + A2:2006	• EN54-3:2014 + A1:2019	

Weights & Dimensional Drawings

Kg	24v
Net Weight	0.285
Gross Weight	0.345



APPROVALS & CONFORMITIES

✉ uksales@moflash.co.uk
moflashkm@moflash.com
exportsales@moflash.co.uk

📍 11 Upper Conybere Street
 Highgate, Birmingham
 B12 0EB, England

☎ UK +44(0)121 446 5322
 FR +33(0)1 70 72 12 71

🌐 www.moflash.com

System Installation





The IS Sounder must be installed in accordance with the latest IEC 60079-0, EN IEC 60079-0, IEC & EN 60079-11 standards or equivalent IEC standards, with consideration for any local installation requirements, and should only be carried out by appropriately competent and qualified personnel.

Moflash Signalling is not able to offer any assistance with additional system parameters beyond that included on the installation sheet, and can not give advise on individual system installations. The system integrators should be contacted for any additional installation requirements.

Accessories

WARNING: Connection into these Sounders must be via a suitably rated Zener Barrier or Galvanic Isolator.

Never connect the Sounders directly to the voltage supply without a Barrier in place. Failure to do so will result in permanent damage to the PCB & void the warranty.

Product	Description	Part Code	Weight
Zener Barrier	 <p>Single Channel DC Zener Barrier Single Channel DC Z 728 (IS)</p>	071788	0.150
	 <p>Single Channel AC Zener Barrier Single Channel AC Z 928 (IS)</p>	071857	0.150
Galvanic Solenoid Driver	 <p>Single Channel Galvanic Solenoid Driver Single Channel KCDO-SD3-Ex1.1045 (IS)</p>	304983	0.150
	 <p>Dual Channel Galvanic Solenoid Driver Dual Channel KFDO-SD2-Ex2.1045 (IS)</p>	242032	0.100
Cable Gland + Washer & Lock Nut	 <p>M20 Nylon IP68 Cable Gland M20>IP68 + 2mm Washer & Lock Nut</p>	50002	0.015

APPROVALS & CONFORMITIES