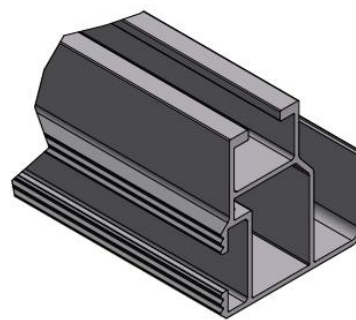
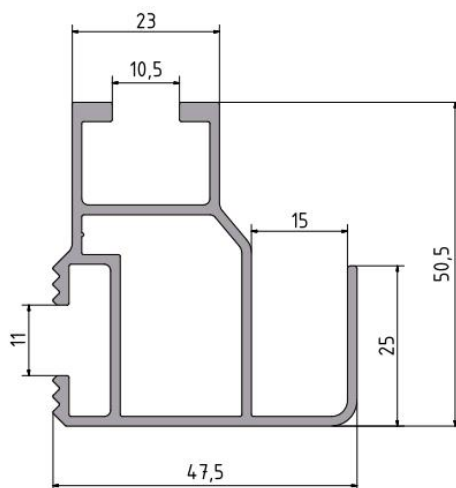


Technical data sheet

Support Rail TF50+m

Updated: 21.01.2020



Parameter	Values
Material	aluminium (EN AW-6063 T66)
Height in mm	50.5
Length in mm	2250 / 5500
Weight in kg/m	0.952
Moment of resistance W_x in cm^3	4.5
Moment of resistance W_y in cm^3	3.82
Moment of inertia I_x in cm^4	9.53
Moment of inertia I_y in cm^4	7.34
Total area A in cm^2	3.5

Subject to errors and modifications.