

**Order No.:** 5XE5D43A08CB000001 | E7728806

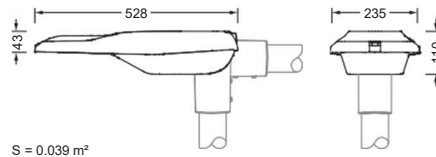
**Product description:** SL21mc,ST1.0a,2380lm740,Easy



Streetlight SL 21 micro, mast luminaire, primary light control with lens, of PMMA, primary optical cover: cover, of toughened safety glass, transparent, light distribution: ST1.0a, light emission: direct distribution, primary light characteristic: asymmetric, installation type: side-entry, post-top, LED, High Power LED, rated luminous flux: 2.380lm, luminous efficacy: 150lm/W, light colour: 740, colour temperature: 4000K, control gear: ECG dimmable, control: flexible luminous flux parameterisation, time-dependent luminous flux control, constant luminous flux control, overheat protection, mains connection: 220..240V, AC, 50/60Hz, connection cable pre-assembled, cable length: 6,5m, start of lifetime: 16W, end of lifetime: 16W, reduction: 8W, luminaire housing, of diecast aluminium, powder-coated, Siteco® metallic grey (DB 702S), mast flange for spigot size 60mm (post-top / side-entry) included, protection rating (complete): IP66, insulation class (complete):insulation class II (safety insulation), certification: CE, ENEC, VDE, impact resistance: IK09, permissible operating ambient temperature for outdoor applications: -40..+50°C, standard-compliant lighting for roads and squares, packaging unit: 1 piece



Lamps: LED  
Wt. (kg): 4.8



**Order No.:** 5XE5D43A08CB000001 | E7728806

**Detailed technical description:** SL21mc,ST1.0a,2380lm740,Easy



### Key data

- Product type: mast luminaire
- Product name: Streetlight SL 21 micro
- Order No.: 5XE5D43A08CB000001

### Lighting technology | Lamps | Control gear

#### Component 1

#### Lighting technology:

- Light control: lens of PMMA
- Cover: cover, transparent
- Light distribution: ST1.0a
- Beam angle: wide distribution
- Symmetry: asymmetric distribution
- Light emission: direct distribution

#### Lamps:

- Lamps: with High Power LED, LED
- Rated luminous flux: 2380lm
- Luminous efficacy: 150lm/W
- Colour temperature: 4000K
- Colour rendering index: CRI > 70
- Light colour: 740
- Rated input power begin service life: 16
- Rated input power end service life: 16
- Rated input power at 50% lumin. flux: 8

#### Operating device:

- Control gear: ECG dimmable
- Control: Easy
- Equipment: overheat protection, constant luminous flux control, time-dependent luminous flux control, flexible luminous flux parameterisation
- 50% power reduction 3 hours before / 5 hours after virtual midnight

#### Certificates, Standards

- Protection rating: IP66
- Insulation class: insulation class II (safety insulation)
- Impact resistance: IK09
- Temperature range (operation): -40..+50°C
- Supplement: standard-compliant lighting for roads and squares
- Corrosion protection: corrosivity category C5 according to DIN EN ISO 12944
- Certification, designation: CE, ENEC, VDE

### Material, Colour

- luminaire housing: diecast aluminium, powder-coated, Siteco® metallic grey (DB 702S), please order mast flange separately, inclination adjustable: 0°, 5°, 10°, 15°, sealing non-destructively replaceable, multi-level sealing system
- Colour specification: Siteco® metallic grey (DB 702S)
- Cover: cover of toughened safety glass

### Mounting

- Mounting method, mounting location: side-entry, post-top, on mast
- Mast flange Ø60mm included

### Electrical connection

- Nominal voltage: 220..240V, 50/60Hz, AC
- Surge voltage resistance: 10kV 1.2/50µs
- Connection cable: pre-assembled, L=6.5m

### Dimensions, Weight

- Weight: 4.8kg
- Mast spigot: mast flange for spigot size 60mm (post-top / side-entry) included

### Light emission

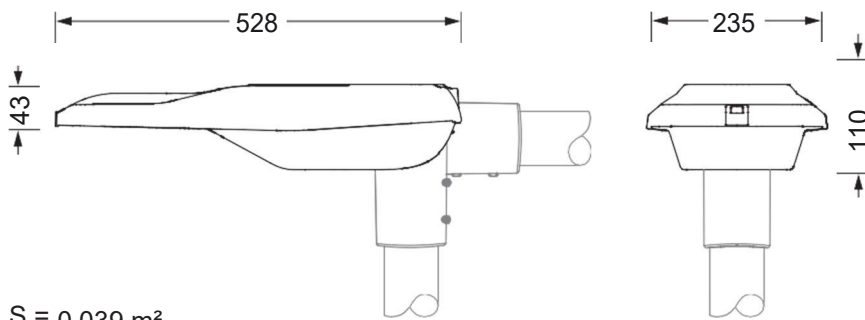
- Light emission: 0% at 0° inclination

### Service life

- Rated service life: 100000h (L97/B10) at AT = 25°C

**Order No.:** 5XE5D43A08CB000001 | E7728806

**Dimensions:** SL21mc,ST1.0a,2380lm740,Easy



S = 0.039 m<sup>2</sup>