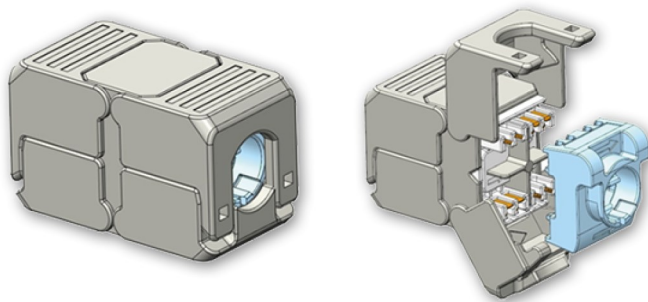


EUROLAN Connector

C6_A STP Straight connector F/F



Ordering information

| Part number | E-number | Description |
|-------------|----------|--|
| 16B-EA-13SL | 5140316 | Eurolan straight F/F connector Cat6A FTP |

- ✓ Connector for joining C6A copper cables
- ✓ Verified to 500 MHz and manage applications up to 10 Gbit
- ✓ Conforms to specifications according to:
ISO/IEC 11801-1 C6A
IEC 60603-7-51:2010
ANSI/TIA-568-2-D
- ✓ Termination is made without special tool