

# Female connector, field-attachable

## V17-W-PG9

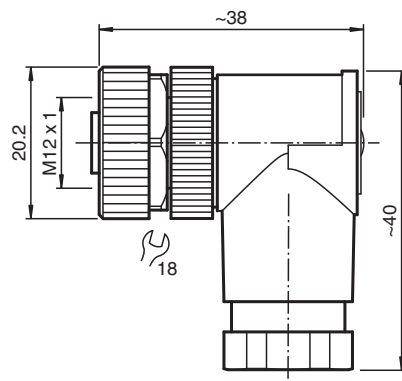


- Field-attachable
- Metal locking
- Knurled nut suitable for tool assembly

Female connector M12 angled A-coded 8-pin, for cable diameter 6 - 8 mm, field-attachable



### Dimensions



### Technical Data

#### General specifications

Connector 1		
Connection	socket	
Construction type	M12	
Style	angled	
Locking	screw connection	
Number of pins	8	
Coding	A-coded	

#### Electrical specifications

Operating voltage	$U_B$	max. 30 V AC/DC
Operating current	$I_B$	max. 1.5 A
Insulation resistance	min. 100 M $\Omega$	

#### Conformity

Degree of protection	EN 60529	
Plug connection	connector M12 x 1 : IEC 61076-2-101	

#### Ambient conditions

Ambient temperature	-40 ... 85 °C (-40 ... 185 °F)	
---------------------	--------------------------------	--

Release date: 2021-12-08 Date of issue: 2021-12-08 Filename: 200772\_eng.pdf

Refer to "General Notes Relating to Pepperl+Fuchs Product Information".

Pepperl+Fuchs Group  
www.pepperl-fuchs.com

USA: +1 330 486 0001  
fa-info@us.pepperl-fuchs.com

Germany: +49 621 776 1111  
fa-info@de.pepperl-fuchs.com

Singapore: +65 6779 9091  
fa-info@sg.pepperl-fuchs.com

**PF** PEPPERL+FUCHS

## Technical Data

Pollution degree	3	
<b>Mechanical specifications</b>		
Plug connector		
Tightening torque	0.6 Nm	
Tool installation	straight knurling , hexagon nut SW = 18 mm	
Mating cycles	min. 100	
Degree of protection	IP67	
Connection	screw terminals for max. 0.5 mm <sup>2</sup> / AWG 20	
Cable		
Sheath diameter	6 ... 8 mm	
Mass	28.09 g	
<b>Material</b>		
Plug connector		
Screw connection	CuZn, nickel-plated	
Body	PA, black	
Contact surface	Au	

## Connection Assignment

