

Female connector, field-attachable

V17-G-PG9

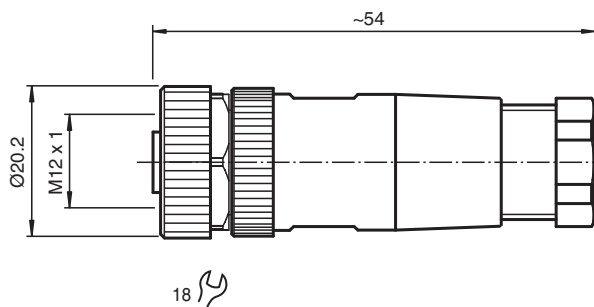


- Screw terminal connection
- Knurled nut suitable for tool assembly
- Metal locking

Female connector M12 straight A-coded 8-pin, for cable diameter 6 - 8 mm, field-attachable



Dimensions



18

Technical Data

General specifications

Connector 1	
Connection	socket
Construction type	M12
Style	straight
Locking	screw connection
Number of pins	8
Coding	A-coded

Electrical specifications

Operating voltage	U_B	max. 30 V AC/DC
Operating current	I_B	max. 1.5 A
Insulation resistance		min. 100 MΩ

Conformity

Degree of protection	EN 60529
Plug connection	connector M12 x 1 : IEC 61076-2-101

Ambient conditions

Ambient temperature	-40 ... 85 °C (-40 ... 185 °F)
---------------------	--------------------------------

Release date: 2021-12-08 Date of issue: 2021-12-08 Filename: 199931_eng.pdf

Refer to "General Notes Relating to Pepperl+Fuchs Product Information".

Technical Data

Pollution degree	3
Mechanical specifications	
Plug connector	
Tightening torque	0.6 Nm
Tool installation	straight knurling , hexagon nut SW = 18 mm
Mating cycles	min. 100
Degree of protection	IP67
Connection	screw terminals for max. 0.5 mm ² / AWG 20
Cable	
Sheath diameter	6 ... 8 mm
Mass	26.77 g
Material	
Plug connector	
Screw connection	CuZn, nickel-plated
Body	PA, black
Contact surface	Au

Connection Assignment

