

Female connector, field-attachable

V1-G-BK

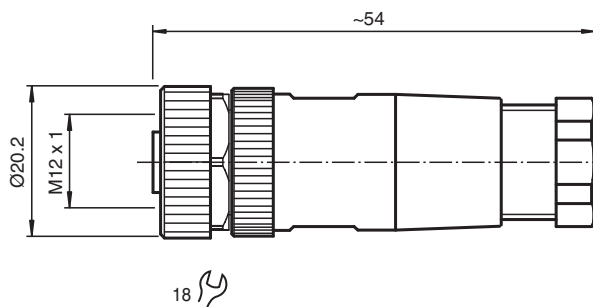


- Screw terminal connection
- Metal locking
- Knurled nut suitable for tool assembly
- cURus approval

Female connector M12 straight A-coded 4-pin, for cable diameter 4 - 6 mm, field-attachable



Dimensions



Technical Data

General specifications

Connector 1		
Connection		socket
Construction type		M12
Style		straight
Locking		screw connection
Number of pins		4
Coding		A-coded
UL File Number		E363587

Electrical specifications

Operating voltage	U_B	max. 250 V AC/DC
Operating current	I_B	max. 4 A
Insulation resistance		min. 100 M Ω

Conformity

Degree of protection		EN 60529
Plug connection		connector M12 x 1 : IEC 61076-2-101

Ambient conditions

Release date: 2021-12-08 Date of issue: 2021-12-08 Filename: 224883_eng.pdf

Refer to "General Notes Relating to Pepperl+Fuchs Product Information".

Technical Data

Ambient temperature	-40 ... 85 °C (-40 ... 185 °F)
Pollution degree	3
Mechanical specifications	
Plug connector	
Tightening torque	0.6 Nm
Tool installation	straight knurling , hexagon nut SW = 18 mm
Mating cycles	min. 50
Degree of protection	IP67
Connection	screw terminals for max. 0.75 mm ² / AWG 18
Cable	
Sheath diameter	4 ... 6 mm
Mass	23.04 g
Material	
Plug connector	
Screw connection	CuZn, nickel-plated
Body	PA, black
Contact surface	CuSnZn

Connection Assignment

