



Adjustable floor box for 8 elements in raised floor installation grey Simon 500 Cima

Ref.: **52050104-035**

BASIC INFORMATION

Series	Simon 500 Cima
Version	8 elements
Number of modules	8 modules
Finish	Grey
Available in	2, 4, 6, 8 and 12 elements
Expandable	No
KIT availability	Sí
Number of cover opening positions	2
Possibility of including quick-connect connectors along the side of the housing	Sí
Protection against entry of dust and small objects	Yes, thanks to the inclusion of protective foam
Compatibility	Simon 500 Cima and Simon 27 Play/Simon K45 mechanisms (using a specific adaptor)
Packaging contents	Floor box, metal partition wall, ground connection cable, screws and installation manual
Remarks	Once the product has been configured and installed, as an option, it may be combined with flush-mount trim cover (ref.52053104-035) in cases where the same floor lining is not installed.

Technical information

Dimensions	187 x 283 mm
Depth	92 mm
Maximum load	1,300 kilograms
Depth of adjustment range	Between 92 and 120 mm
Free space in inner box with minimum adjustment	29 mm
Free space in inner box with maximum adjustment	57 mm
Claw range of operation	Between 14 and 54 mm
Elevation of frame from ground level	3.2 mm
Flip-up cover dimensions	160 x 256 x 15 mm
Personalisation of flush-mount cover dimensions	118 x 247 x 8 mm
Heat resistance	+125 °C (in accordance with standard IEC 60695-10-2)
Extinguishing	+850 °C / 30 seconds (GWFI in accordance with standard IEC 60695-2-11)
Insulation resistance	>5 MOhms at 500V
Dielectric strength	No holes or contours, with 2000V at 50 Hz for 1 minute
Number of side entrances	10
No. of pre-punched holes Ø20 mm	5
No. of pre-punched holes Ø26 mm	5
Number of clamp-holder holes	12
Electromagnetic immunity for VDM wiring	Secured by installing the metal partition wall in the housings fitted into the box for this purpose.

IP rating	4X
IK Classification	8
RAL	7011
Manufacturing material	Metal components with self-extinguishing, halogen-free thermoplastic insulation that guarantees no flame propagation in case of fire and low toxicity in case of smoke emission.
Type of product	Standard
Market available	CE

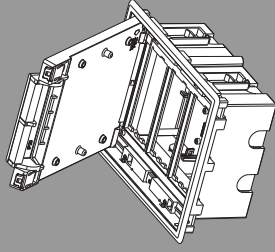
Regulations

Regulations	Directive 2014/35/UE LVD + EN 60670-23:2008
-------------	---

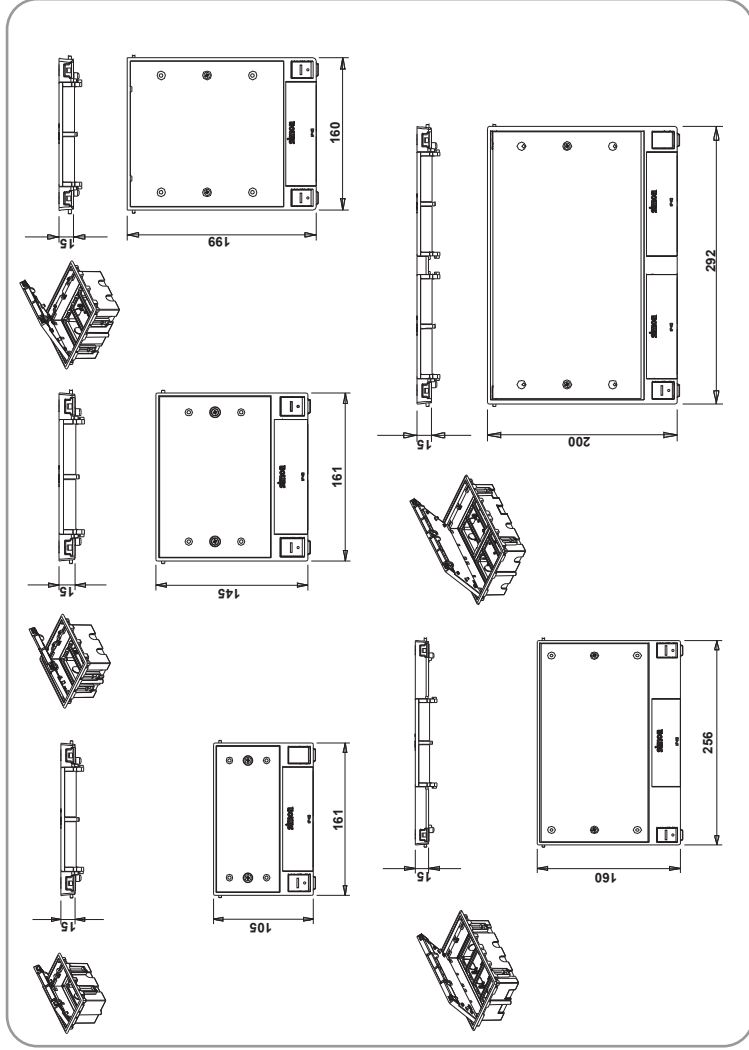
Installation and maintenance

Installation type	Especially designed to be installed in raised floors
Type of fastening	Using fastening claws on the raised floor tile (supplied with the floor box)
Installation direction	Horizontal and vertical, corresponding to the hole cut into the raised floor tile
Removal of the frame	Only with tool
Removal of components	Only with tool
Recess dimension	170 x 265 mm
Temperature range during installation	-5 to 60 °C
Max. temp. during construction work	+90 °C
Maintenance	Clean with a soft, dry cloth. Do not use abrasive cloths or cleaning products that contain chlorine.

CAJAS DE SUELO
CAIXAS DE SOL
BOÎTES DE SOL
FLOOR BOXES



	90 mm - 120 mm		70 mm - 100 mm			
	52050101-...	52050101-...	52050001-...	52053101-...	52052101-...	X
	52050102-...	52050102-...	52050002-...	52053102-...	52052102-...	X
	52050103-...	52050103-...	52050003-...	52053103-...	52052103-...	52052203-...
	52050104-...	52050104-...	52050004-...	52053104-...	52052104-...	52052204-...
	52050106-...	52050106-...	52050006-...	52053106-...	52052106-...	52052206-...



INFORMACIÓN TÉCNICA / INFORMAÇÃO TÉCNICA / INFORMATION TECHNIQUE / TECHNICAL INFORMATION

Antes de cualquier intervención, cortar la corriente. Respetar estrictamente las condiciones de instalación y de utilización. Un montaje incorrecto puede causar averías. Simon no se hace responsable de cualquier uso indebido del producto.

Antes de qualquer intervenção, cortar a corrente. Respetar estrictamente as condições de instalação e de utilização. O montagem incorrecto pode causar avarias. Simon não é responsável de qualquer uso incorrecto do produto.

Avant toute intervention, couper le courant. Respecter strictement les conditions d'installation et d'utilisation. Un assemblage incorrect peut causer des avaries. Simon n'est pas responsable de tout usage inexact du produit.

Make sure the power supply is disconnected before any intervention. Strictly comply with instructions for installation

Para asegurar el cumplimiento del REBT y la norma UNE-EN 60670-23 se deben instalar los productos según las presentes instrucciones. A SIMON no es responsable si no se realiza bajo sus condiciones.

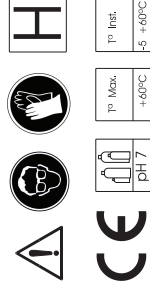
Para assegurar o cumprimento do REBT e a norma UNE-EN 60670-23, é necessário instalar o produto de acordo com as presentes instruções. A SIMON não assume qualquer responsabilidade se as suas condições não forem observadas.

Pour garantir le respect de la REBT et la norme UNE-EN 60670-23, on doit installer le produit conformément aux présentes instructions. SIMON se dégage de toute responsabilité si ces conditions ne sont pas respectées.

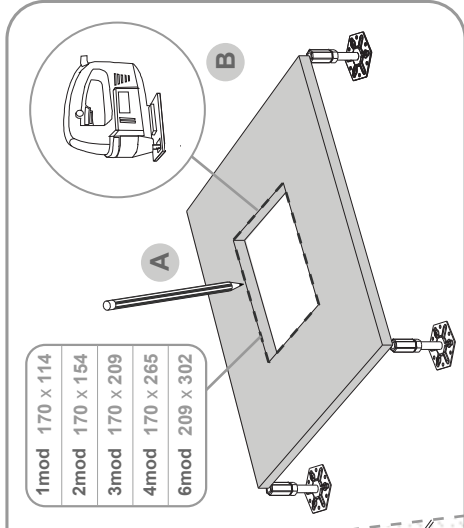
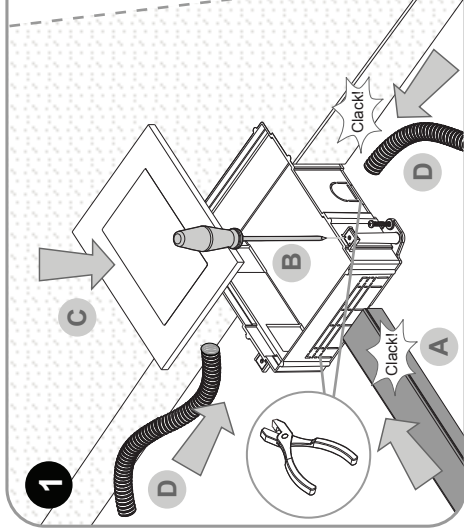
To ensure compliance with the low voltage electro-technical regulations and the UNE-EN 60670-23 standard, this product

MANTENIMIENTO / MANUTENÇÃO / MAINTENANCE / ENTRETIEN

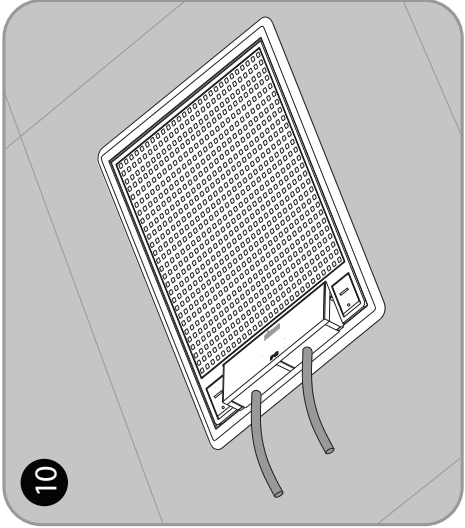
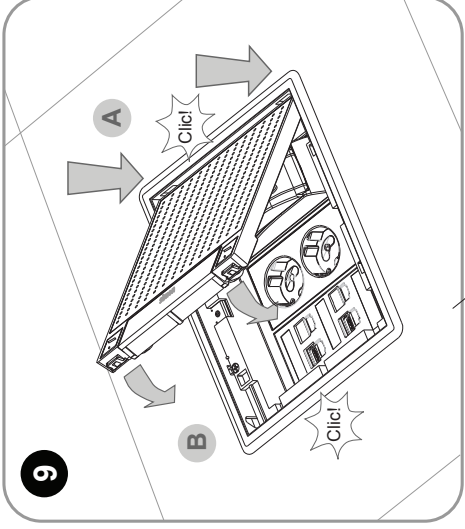
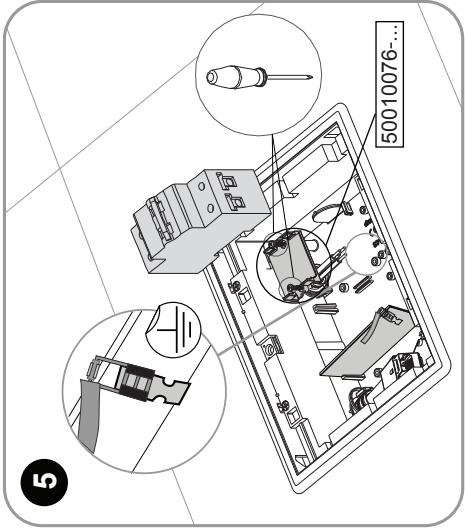
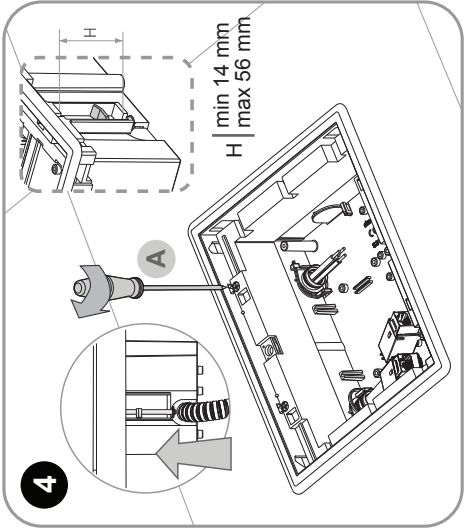
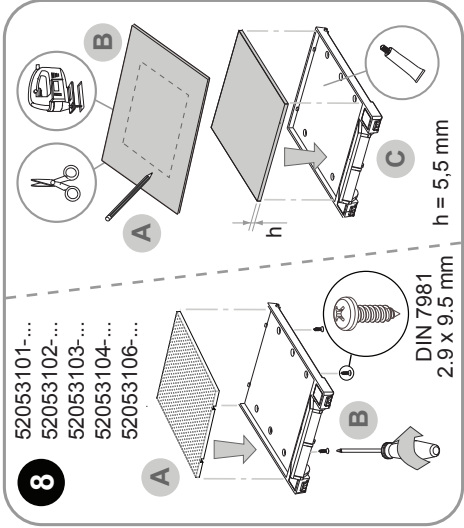
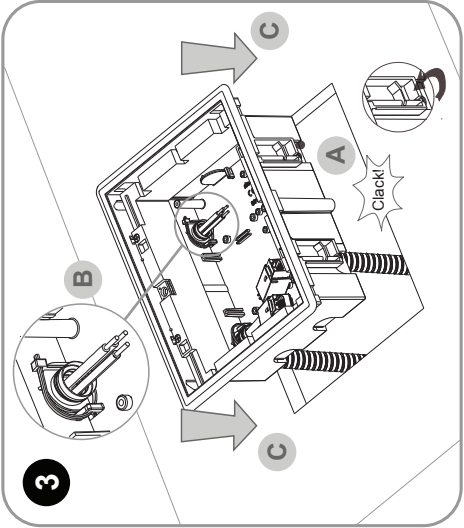
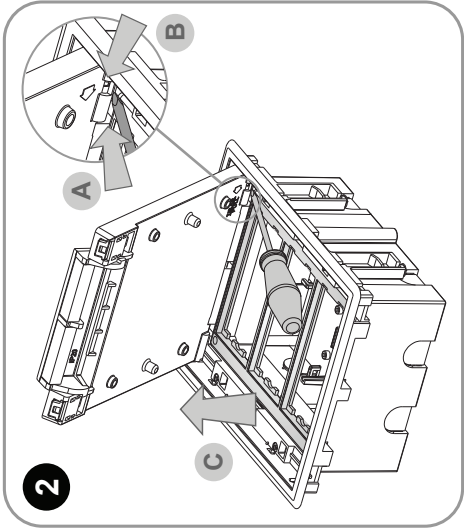
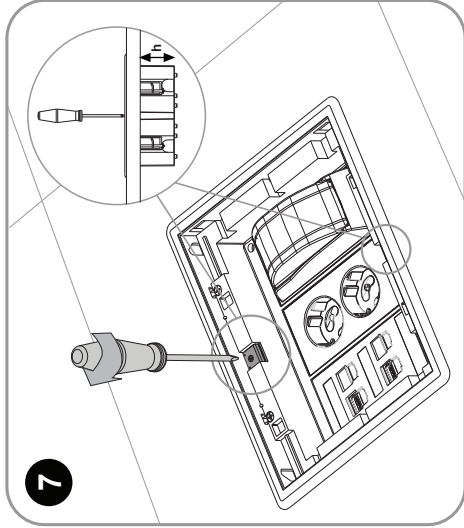
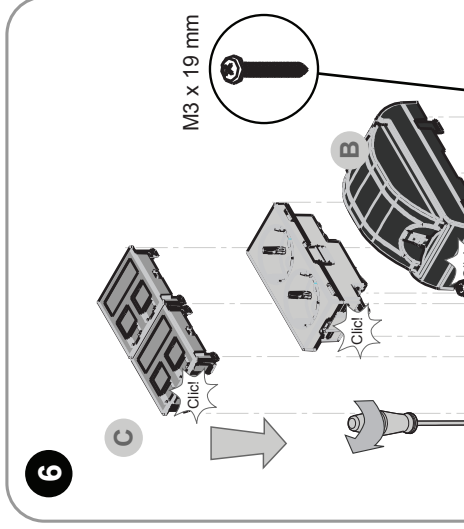
Limpiar la superficie de los envolvertes con un trapo húmedo. Limpiar a superfície dos envolvertes com um pano húmido. Nettoyer la surface des enveloppes avec un chiffon humide. To clean the surfaces of envelope use an humid rag.



- Para conjuntos cableados consultar el catálogo.
- Para conjuntos cableados, consulte o catálogo.
- Pour les ensembles câblés, consulter le catalogue.
- Consult the catalogue for wired assemblies.



1mod	170 x 114
2mod	170 x 154
3mod	170 x 209
4mod	170 x 265
6mod	209 x 302



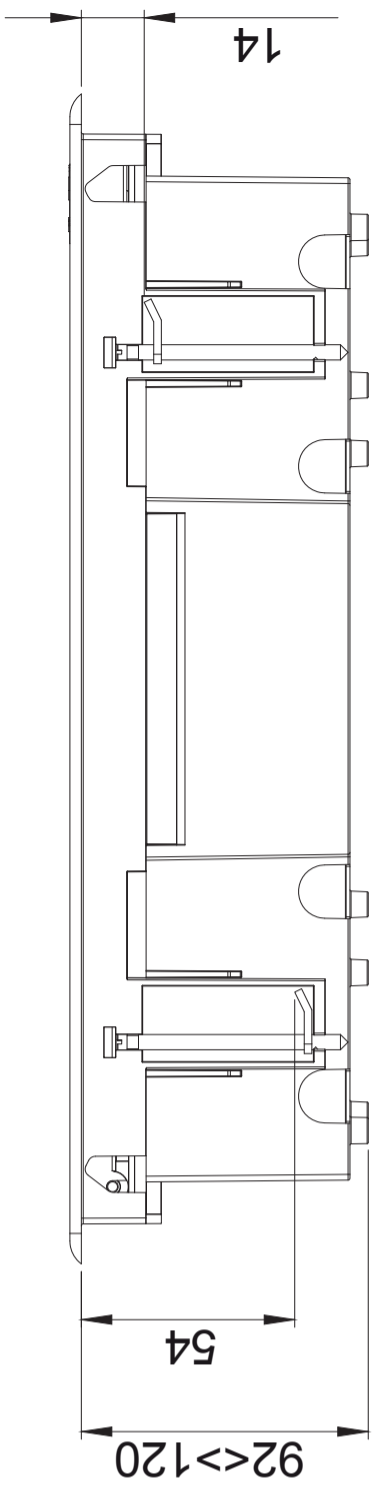
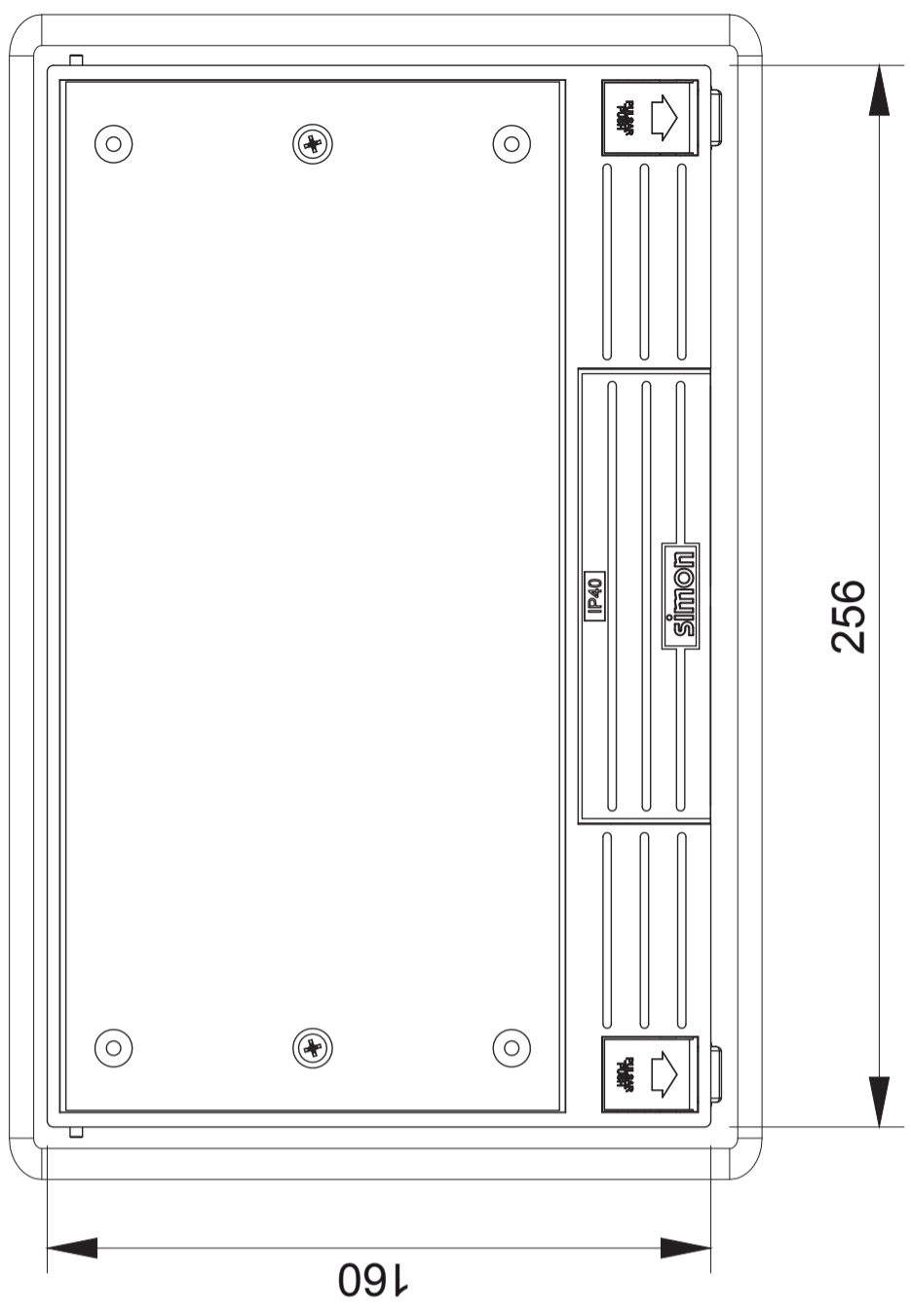
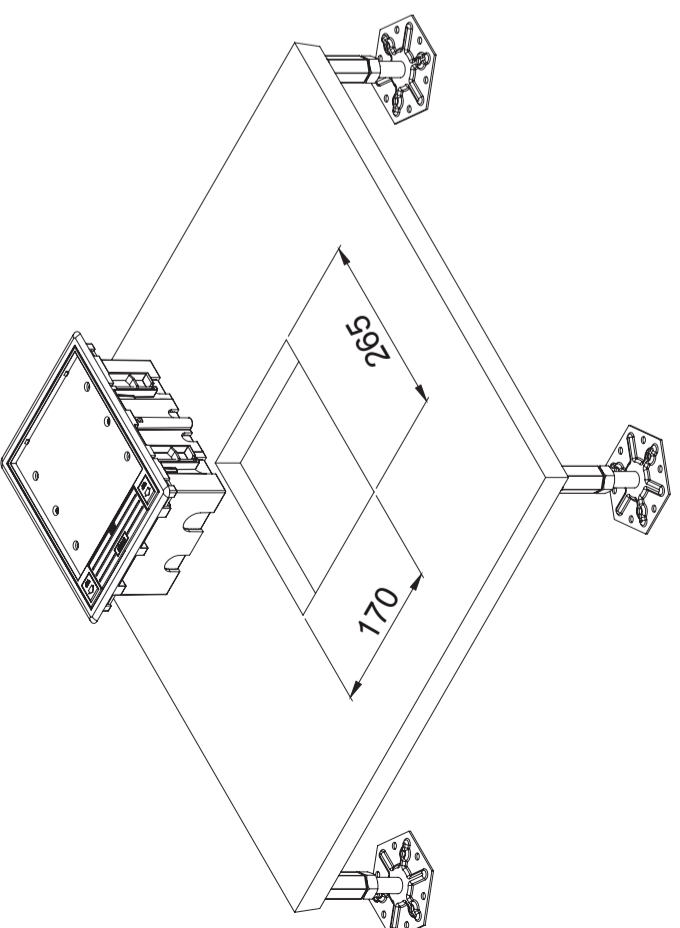
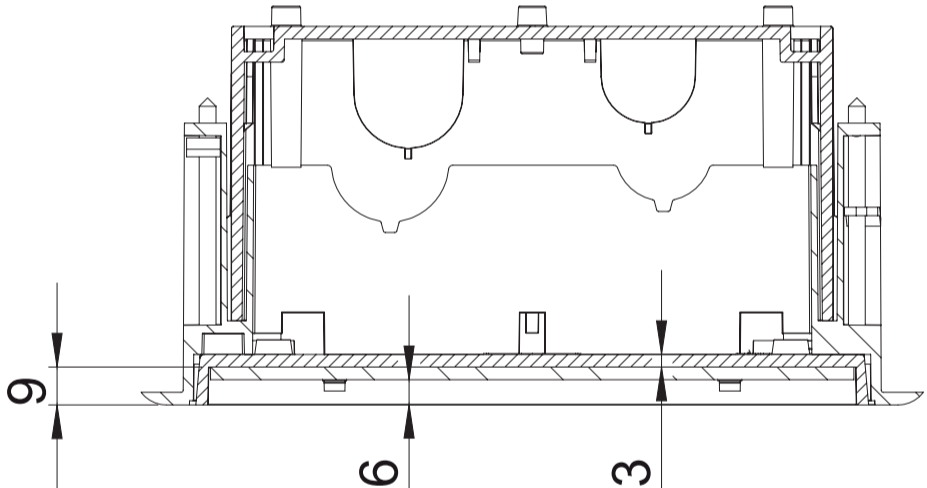
52053101-...
52053102-...
52053103-...
52053104-...
52053106-...

DIN 7981
2.9 x 9.5 mm

h = 5.5 mm

50010076...

H | min 14 mm
H | max 56 mm





www.simonelectric.com



SIMON, S.A.U.

Diputación, 390-392
08013 Barcelona (Spain)
Tel.: +34 93 547 81 81