



## Adjustable floor box for 6 elements in raised floor installation grey Simon 500 Cima

Ref.: **52050103-035**

### BASIC INFORMATION

|   |  |
|---|--|
| Series  | Simon 500 Cima   |
| Version   | 6 elements   |
| Number of modules   | 6 modules  |
| Finish  | Grey   |
| Available in  | 2, 4, 6, 8 and 12 elements   |
| Expandable  | No   |
| KIT availability  | Sí   |
| Number of cover opening positions   | 2  |
| Possibility of including quick-connect connectors along the side of the housing | No   |
| Protection against entry of dust and small objects                              | Yes, thanks to the inclusion of protective foam  |
| Compatibility   | Simon 500 Cima and Simon 27 Play/Simon K45 mechanisms (using a specific adaptor)   |
| Packaging contents  | Floor box, metal partition wall, ground connection cable, screws and installation manual   |
| Remarks   | Once the product has been configured and installed, as an option, it may be combined with flush-mount trim cover (ref.52053103-035) in cases where the same floor lining is not installed. |

## Technical information

|   |  |
|---|--|
| Dimensions                                      | 226 x 187 mm   |
| Depth   | 92 mm  |
| Maximum load                                    | 1,700 kilograms  |
| Depth of adjustment range                       | Between 92 and 120 mm  |
| Free space in inner box with minimum adjustment | 29 mm  |
| Free space in inner box with maximum adjustment | 57 mm  |
| Claw range of operation                         | Between 14 and 54 mm   |
| Elevation of frame from ground level            | 3.2 mm   |
| Flip-up cover dimensions                        | 199 x 160 x 15 mm  |
| Personalisation of flush-mount cover dimensions | 160 x 154 x 8 mm   |
| Heat resistance                                 | +125 °C (in accordance with standard IEC 60695-10-2)                   |
| Extinguishing                                   | +850 °C / 30 seconds (GWFI in accordance with standard IEC 60695-2-11) |
| Insulation resistance                           | >5 MOhms at 500V   |
| Dielectric strength                             | No holes or contours, with 2000V at 50 Hz for 1 minute                 |
| Number of side entrances                        | 12   |
| No. of pre-punched holes Ø12.5 mm               | 4  |
| No. of pre-punched holes Ø20 mm                 | 6  |
| No. of pre-punched holes Ø26 mm                 | 2  |
| Number of clamp-holder holes                    | 8  |

|   |  |
|---|--|
| Electromagnetic immunity for VDM wiring | Secured by installing the metal partition wall in the housings fitted into the box for this purpose.   |
| IP rating                               | 4X   |
| IK Classification                       | 8  |
| RAL                                     | 7011   |
| Manufacturing material                  | Metal components with self-extinguishing, halogen-free thermoplastic insulation that guarantees no flame propagation in case of fire and low toxicity in case of smoke emission. |
| Type of product                         | Standard   |
| Market available                        | CE   |

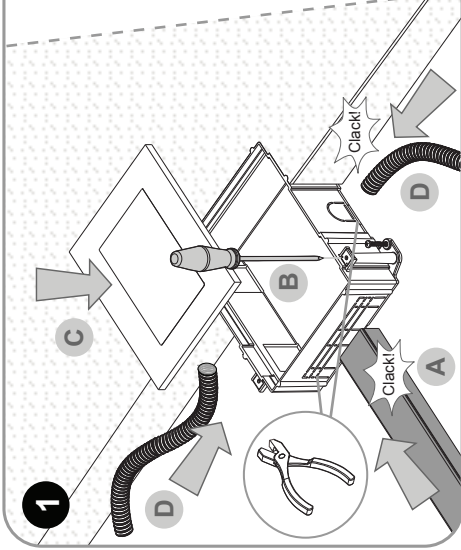
## Regulations

|             |   |
|-------------|---|
| Regulations | Directive 2014/35/UE LVD + EN 60670-23:2008 |
|-------------|---|

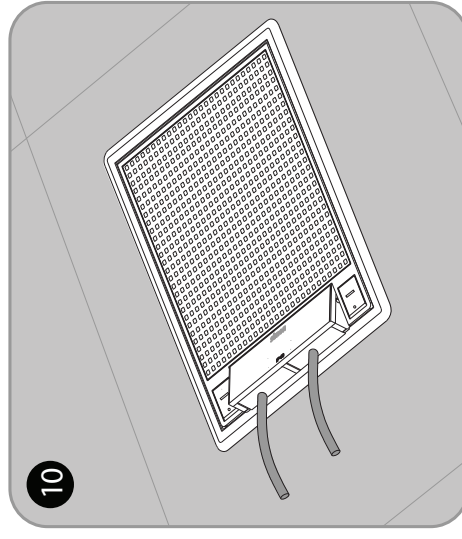
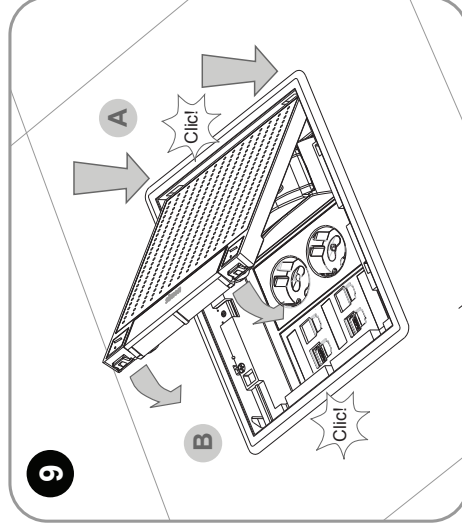
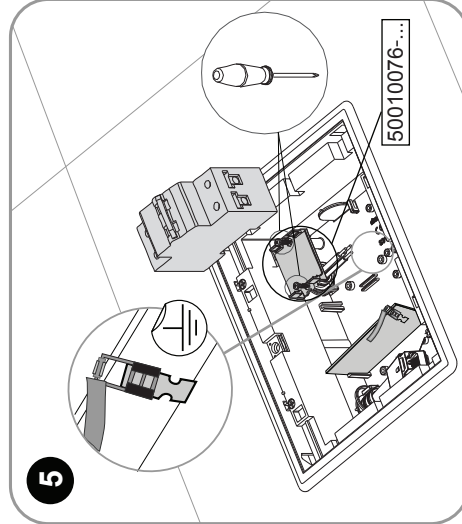
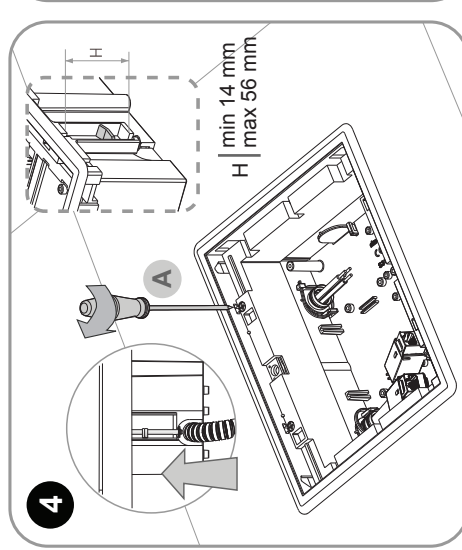
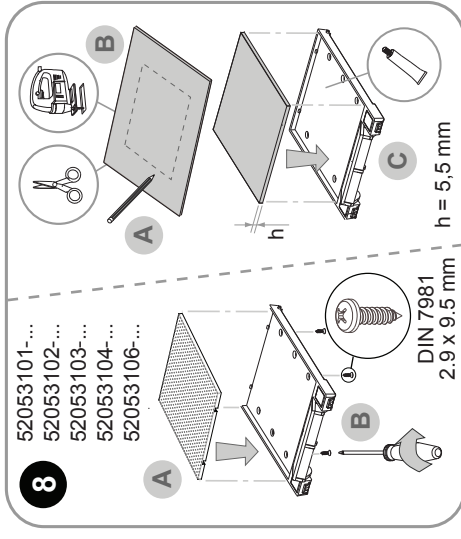
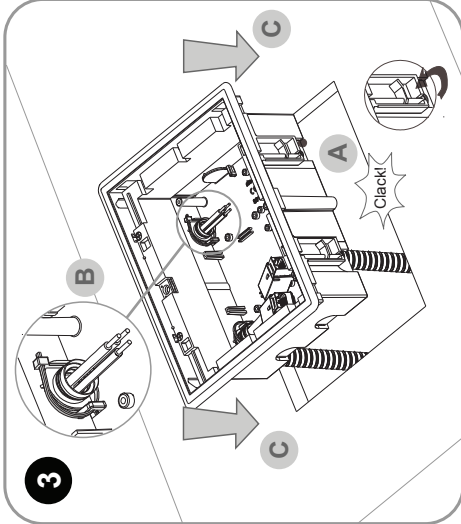
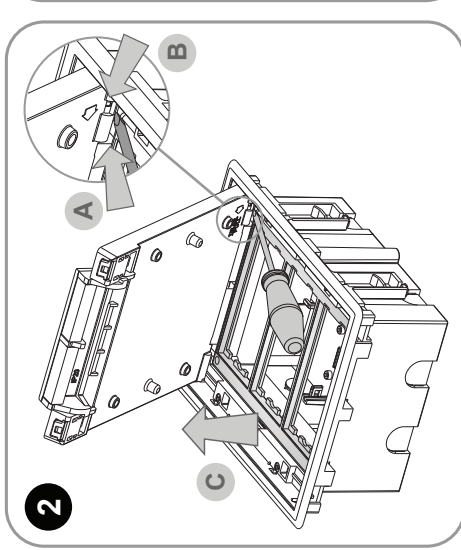
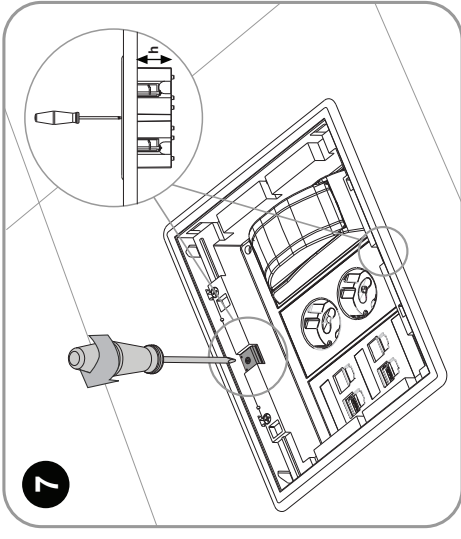
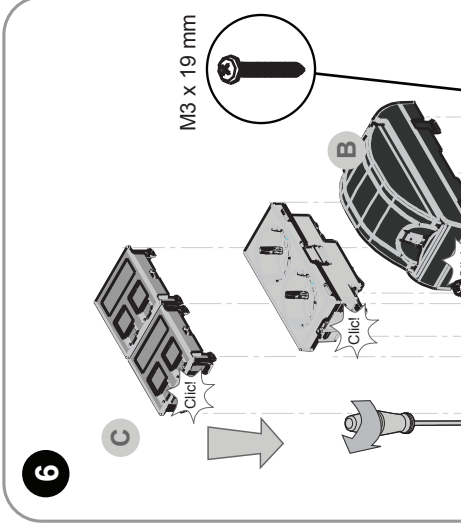
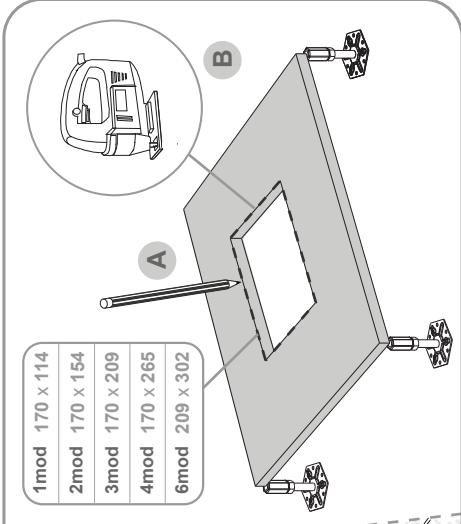
## Installation and maintenance

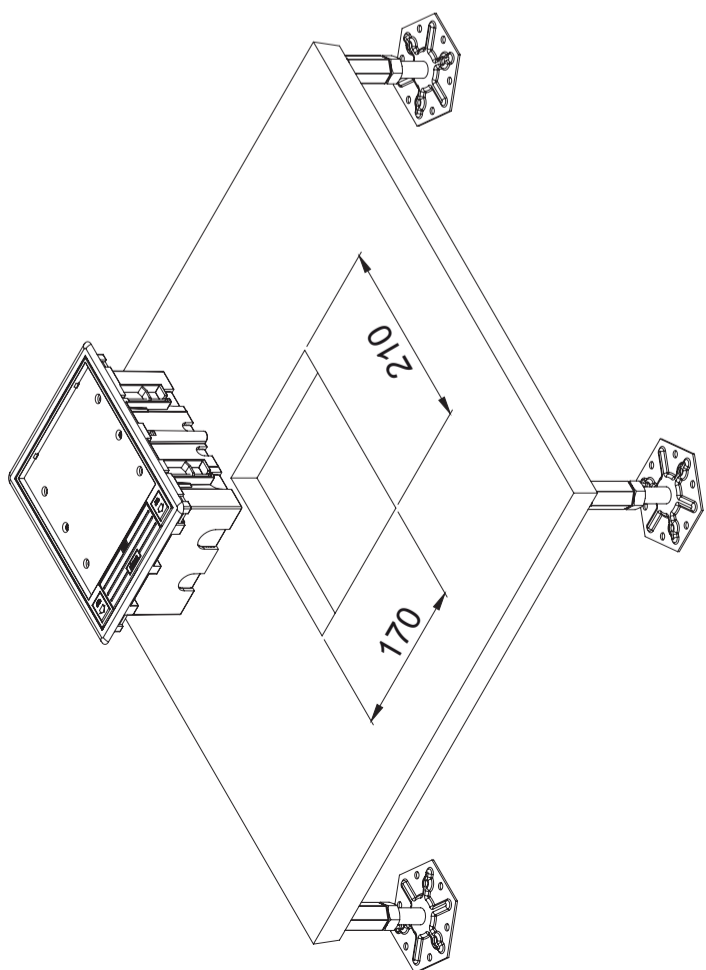
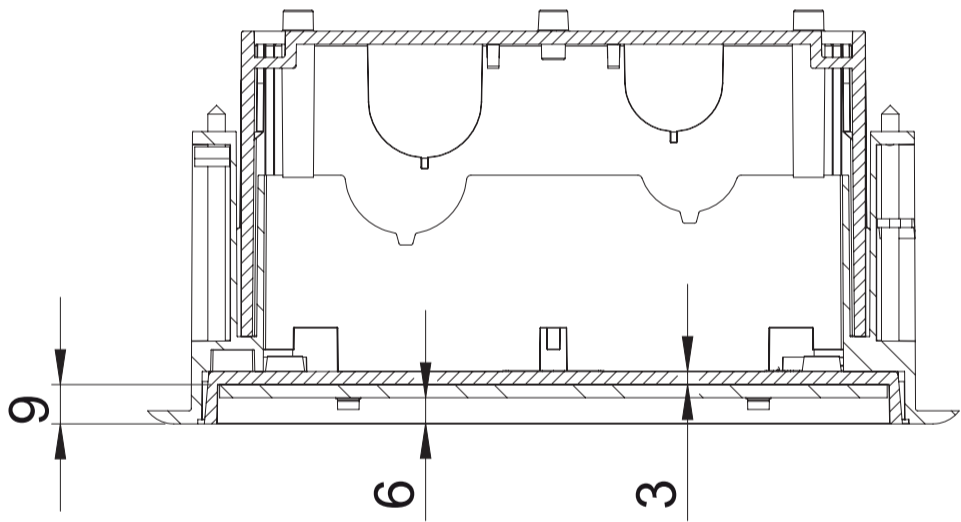
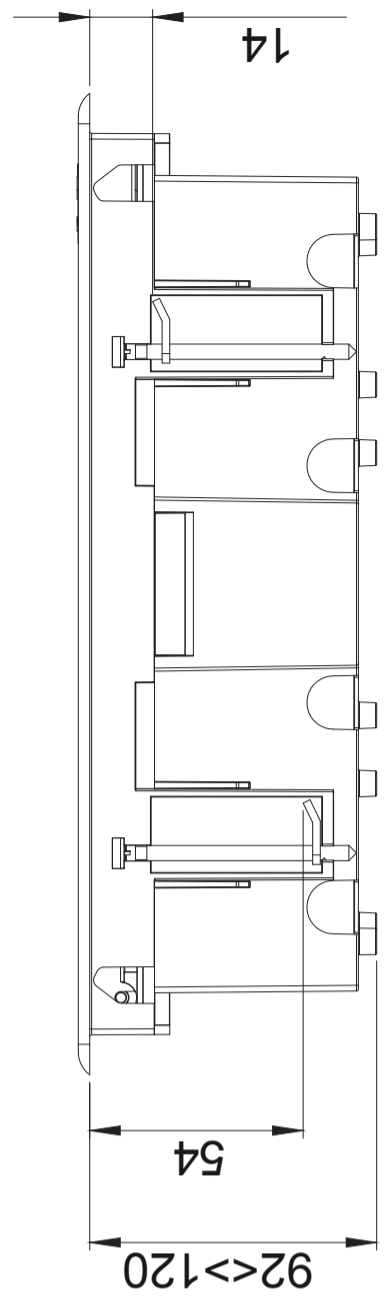
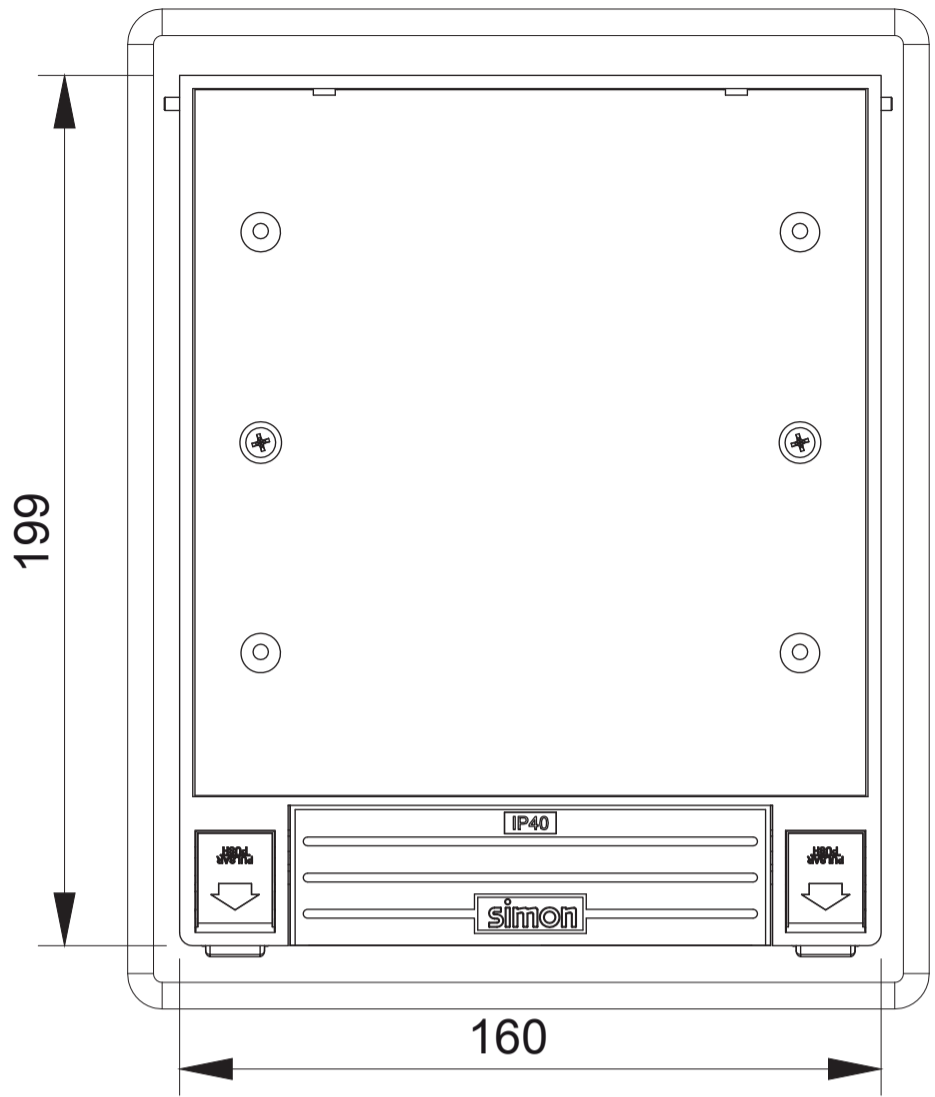
|                                       |  |
|---------------------------------------|--|
| Installation type                     | Especially designed to be installed in raised floors   |
| Type of fastening                     | Using fastening claws on the raised floor tile (supplied with the floor box)                         |
| Installation direction                | Horizontal and vertical, corresponding to the hole cut into the raised floor tile                    |
| Removal of the frame                  | Only with tool   |
| Removal of components                 | Only with tool   |
| Recess dimension                      | 170 x 210 mm   |
| Temperature range during installation | -5 to 60 °C  |
| Max. temp. during construction work   | +90 °C   |
| Maintenance                           | Clean with a soft, dry cloth. Do not use abrasive cloths or cleaning products that contain chlorine. |





- 1mod 170 x 114
- 2mod 170 x 154
- 3mod 170 x 209
- 4mod 170 x 265
- 6mod 209 x 302







[www.simonelectric.com](http://www.simonelectric.com)



**SIMON, S.A.U.**

Diputación, 390-392  
08013 Barcelona (Spain)  
Tel.: +34 93 547 81 81