



Adjustable floor box for 4 elements in raised floor installation grey Simon 500 Cima

Ref.: **52050102-035**

BASIC INFORMATION

| | |
|---|--|
| Series | Simon 500 Cima |
| Version | 4 elements |
| Number of modules | 4 modules |
| Finish | Grey |
| Available in | 2, 4, 6, 8 and 12 elements |
| Expandable | No |
| KIT availability | No |
| Number of cover opening positions | 2 |
| Possibility of including quick-connect connectors along the side of the housing | No |
| Protection against entry of dust and small objects | Yes, thanks to the inclusion of protective foam |
| Compatibility | Simon 500 Cima and Simon 27 Play/Simon K45 mechanisms (using a specific adaptor) |
| Packaging contents | Floor box, metal partition wall, ground connection cable, screws and installation manual |
| Remarks | Once the product has been configured and installed, as an option, it may be combined with flush-mount trim cover (ref.52053102-035) in cases where the same floor lining is not installed. |

Technical information

| | |
|---|--|
| Dimensions | 171 x 187 mm |
| Depth | 92 mm |
| Maximum load | 1,400 kilograms |
| Depth of adjustment range | Between 92 and 120 mm |
| Free space in inner box with minimum adjustment | 29 mm |
| Free space in inner box with maximum adjustment | 57 mm |
| Claw range of operation | Between 14 and 54 mm |
| Elevation of frame from ground level | 3.2 mm |
| Flip-up cover dimensions | 145 x 161 x 15 mm |
| Personalisation of flush-mount cover dimensions | 107 x 154 x 8 mm |
| Heat resistance | +125 °C (in accordance with standard IEC 60695-10-2) |
| Extinguishing | +850 °C / 30 seconds (GWFI in accordance with standard IEC 60695-2-11) |
| Insulation resistance | >5 MOhms at 500V |
| Dielectric strength | No holes or contours, with 2000V at 50 Hz for 1 minute |
| Number of side entrances | 8 |
| No. of pre-punched holes Ø20 mm | 4 |
| No. of pre-punched holes Ø26 mm | 4 |
| Number of clamp-holder holes | 4 |
| Electromagnetic immunity for VDM wiring | Secured by installing the metal partition wall in the housings fitted into the box for this purpose. |

| | |
|------------------------|--|
| IP rating | 4X |
| IK Classification | 8 |
| RAL | 7011 |
| Manufacturing material | Metal components with self-extinguishing, halogen-free thermoplastic insulation that guarantees no flame propagation in case of fire and low toxicity in case of smoke emission. |
| Type of product | Standard |
| Market available | CE |

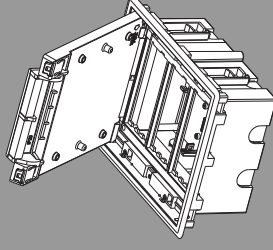
Regulations

| | |
|-------------|---|
| Regulations | Directive 2014/35/UE LVD + EN 60670-23:2008 |
|-------------|---|

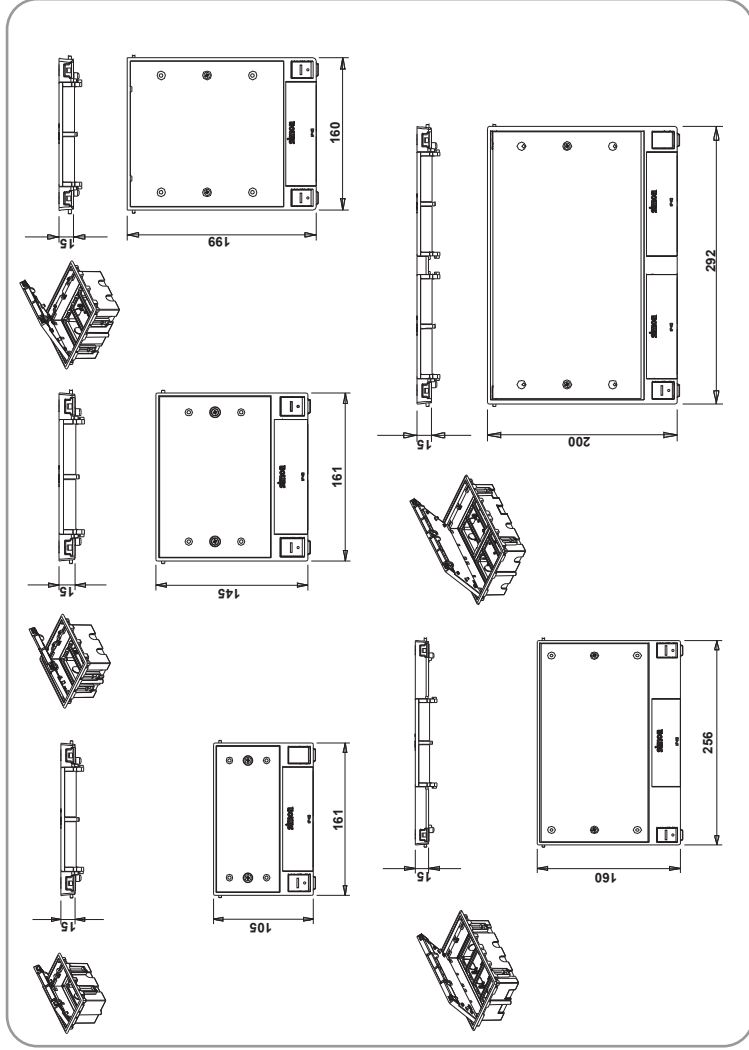
Installation and maintenance

| | |
|---------------------------------------|--|
| Installation type | Especially designed to be installed in raised floors |
| Type of fastening | Using fastening claws on the raised floor tile (supplied with the floor box) |
| Installation direction | Horizontal and vertical, corresponding to the hole cut into the raised floor tile |
| Removal of the frame | Only with tool |
| Removal of components | Only with tool |
| Recess dimension | 170 x 155 mm |
| Temperature range during installation | -5 to 60 °C |
| Max. temp. during construction work | +90 °C |
| Maintenance | Clean with a soft, dry cloth. Do not use abrasive cloths or cleaning products that contain chlorine. |

CAJAS DE SUELO
CAIXAS DE SOL
BOÎTES DE SOL
FLOOR BOXES



| | | | | | | |
|--|----------------|--------------|----------------|--------------|---|--------------|
| | 90 mm - 120 mm | | 70 mm - 100 mm | | | |
| | 52050101-... | 52050001-... | 52053101-... | 52052101-... | X | |
| | 52050102-... | 52050002-... | 52053102-... | 52052102-... | X | |
| | 52050103-... | 52050003-... | 52053103-... | 52052103-... | | 52052203-... |
| | 52050104-... | 52050004-... | 52053104-... | 52052104-... | | 52052204-... |
| | 52050106-... | 52050006-... | 52053106-... | 52052106-... | | 52052206-... |



INFORMACIÓN TÉCNICA / INFORMAÇÃO TÉCNICA / INFORMATION TECHNIQUE / TECHNICAL INFORMATION

Antes de cualquier intervención, cortar la corriente. Respetar estrictamente las condiciones de instalación y de utilización. Un montaje incorrecto puede causar averías. Simon no se hace responsable de cualquier uso indebido del producto.

Antes de qualquer intervenção, cortar a corrente. Respetar estrictamente as condições de instalação e de utilização. O montagem incorrecto pode causar avarias. Simon não é responsável de qualquer uso incorrecto do produto.

Avant toute intervention, couper le courant. Respecter strictement les conditions d'installation et d'utilisation. Un assemblage incorrect peut causer des avaries. Simon n'est pas responsable de tout usage inexact du produit.

Make sure the power supply is disconnected before any intervention. Strictly comply with instructions for installation

Para asegurar el cumplimiento del REBT y la norma UNE-EN 60670-23 se deben instalar los productos según las presentes instrucciones. A SIMON no es responsable si no se realiza bajo sus condiciones.

Para assegurar o cumprimento do REBT e a norma UNE-EN 60670-23, é necessário instalar o produto de acordo com as presentes instruções. A SIMON não assume qualquer responsabilidade se as suas condições não forem observadas.

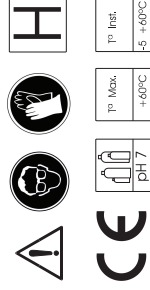
Pour garantir le respect de la REBT et la norme UNE-EN 60670-

23, on doit installer le produit conformément aux présentes instructions. SIMON se dégage de toute responsabilité si ces conditions ne sont pas respectées.

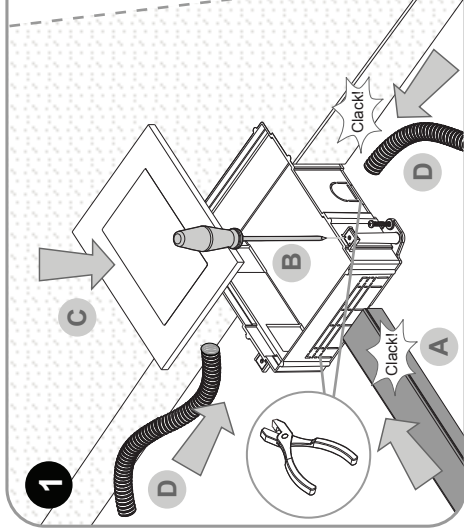
To ensure compliance with the low voltage electro-technical regulations and the UNE-EN 60670-23 standard, this product

MANTENIMIENTO / MANUTENÇÃO / MAINTENANCE / ENTRETIEN

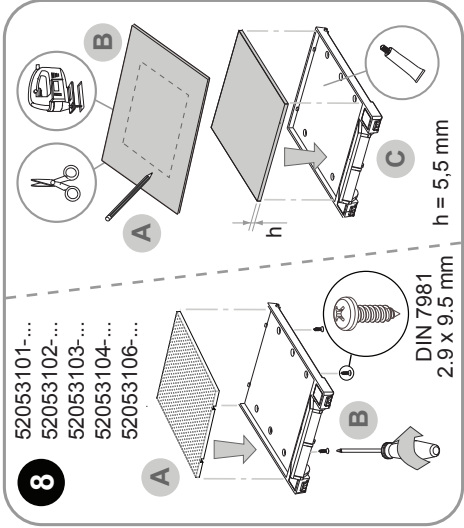
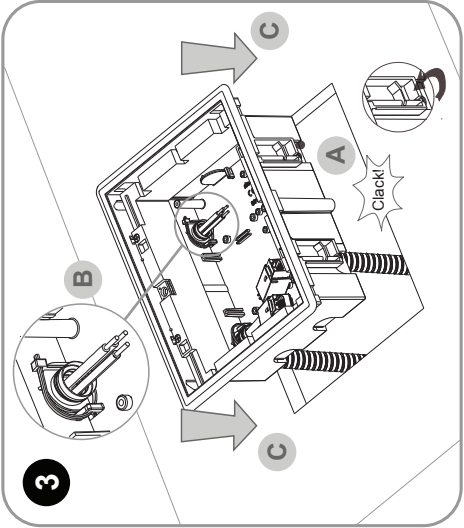
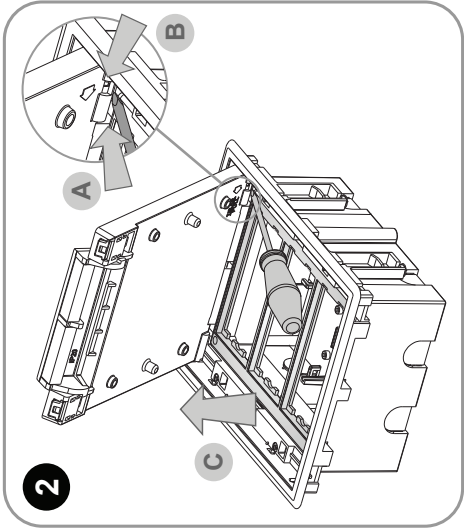
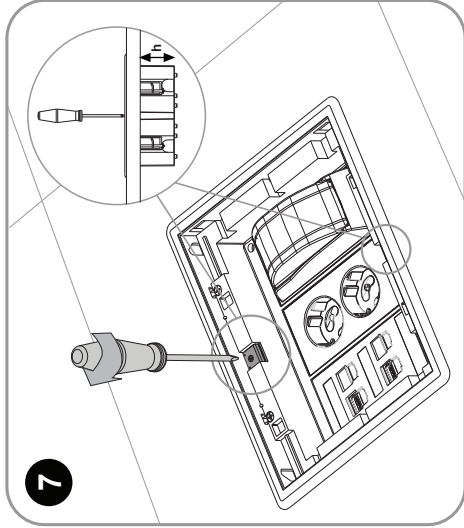
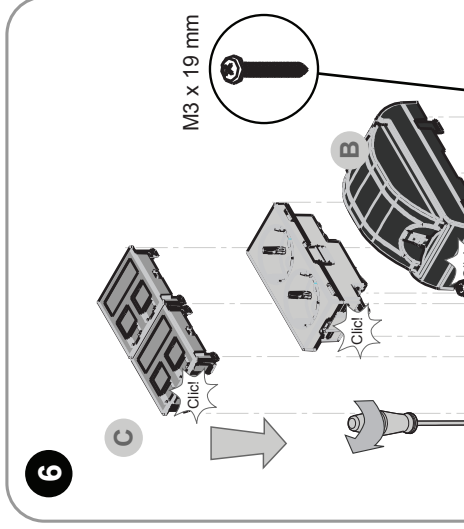
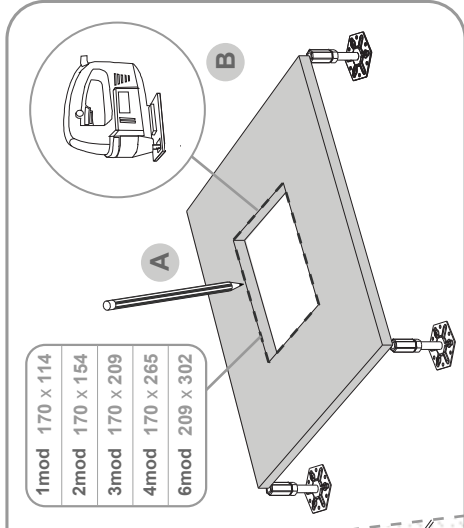
Limpiar la superficie de los envolvertes con un trapo húmedo. Limpiar a superfície dos envolventes com um pano húmido. Nettoyer la surface des enveloppes avec un chiffon humide. To clean the surfaces of envelope use an humid rag.



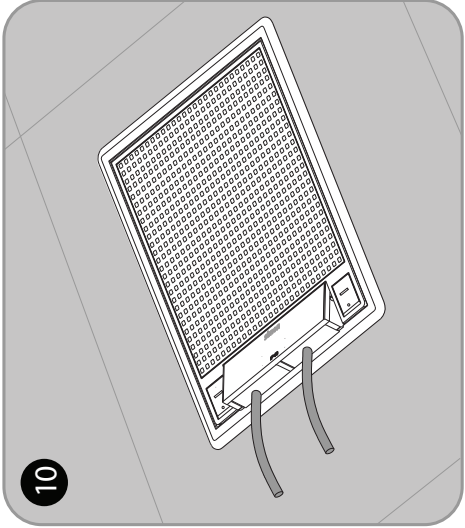
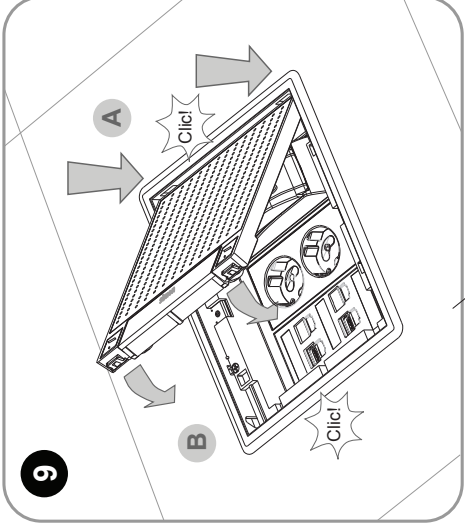
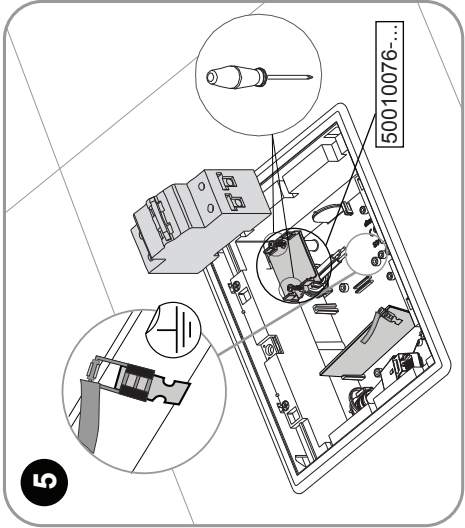
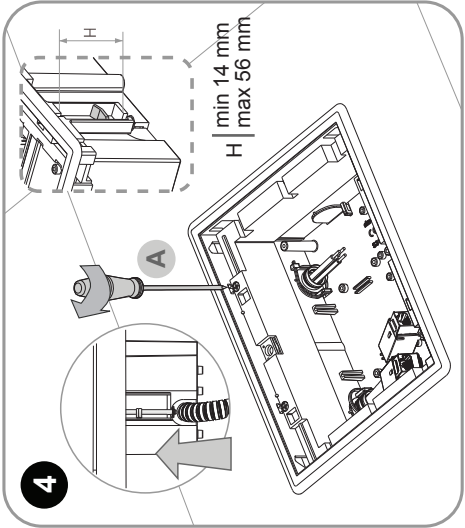
- Para conjuntos cableados consultar el catálogo.
- Para conjuntos cableados, consulte o catálogo.
- Pour les ensembles câblés, consulter le catalogue.
- Consult the catalogue for wired assemblies.

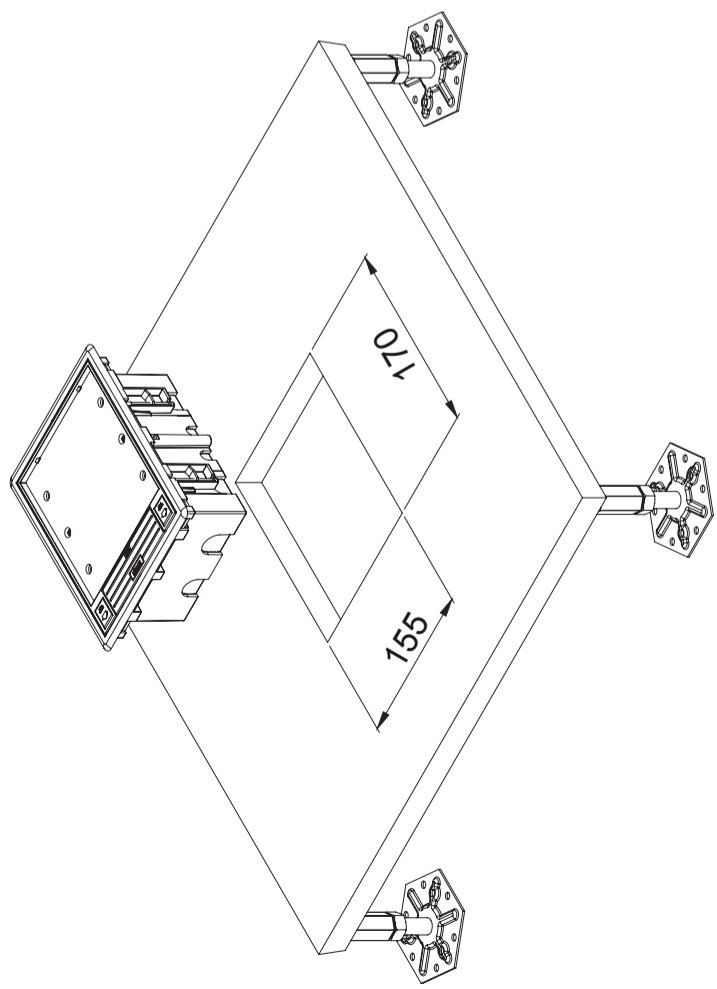
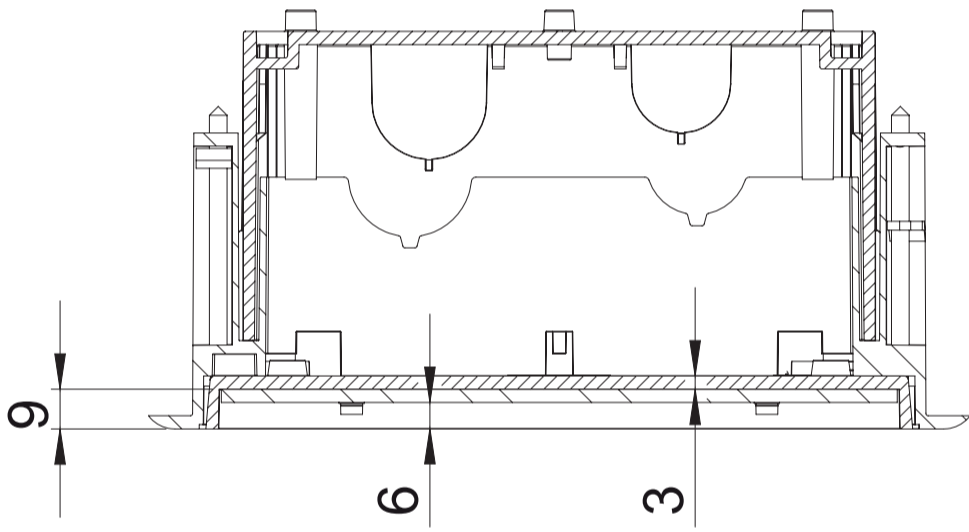
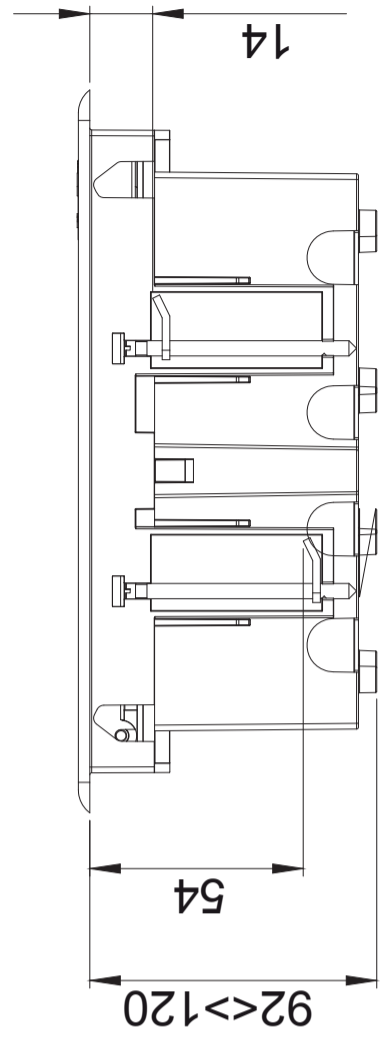
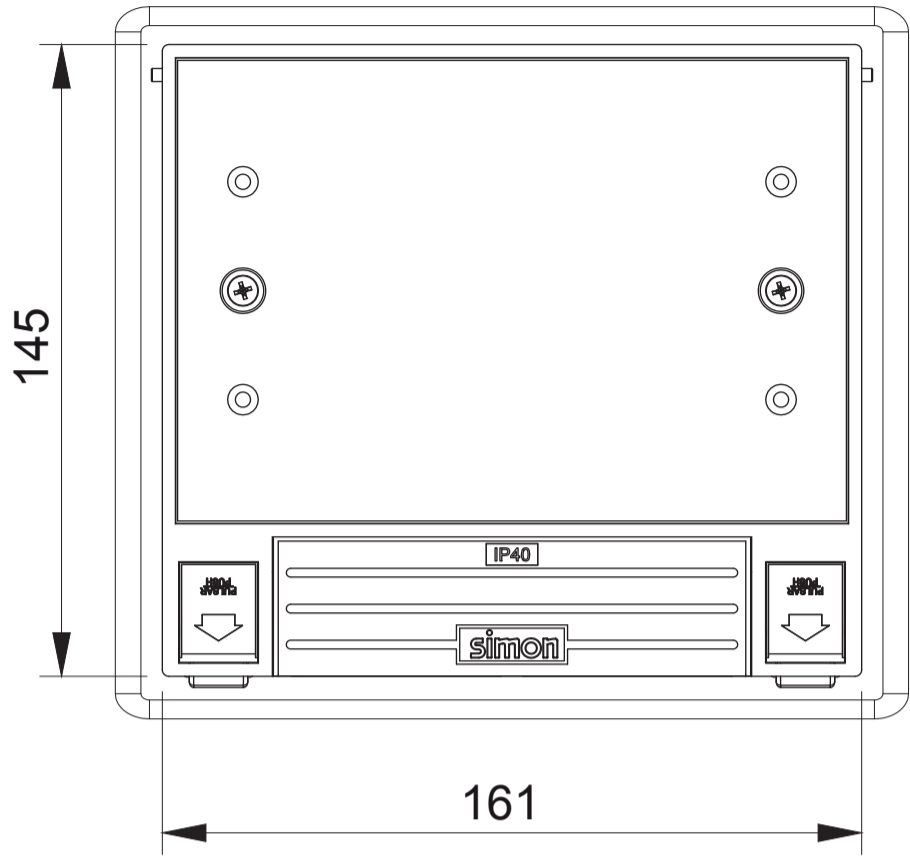


- 1mod 170 x 114
- 2mod 170 x 154
- 3mod 170 x 209
- 4mod 170 x 265
- 6mod 209 x 302



- 52053101...
- 52053102...
- 52053103...
- 52053104...
- 52053106...







www.simonelectric.com



SIMON, S.A.U.

Diputación, 390-392
08013 Barcelona (Spain)
Tel.: +34 93 547 81 81