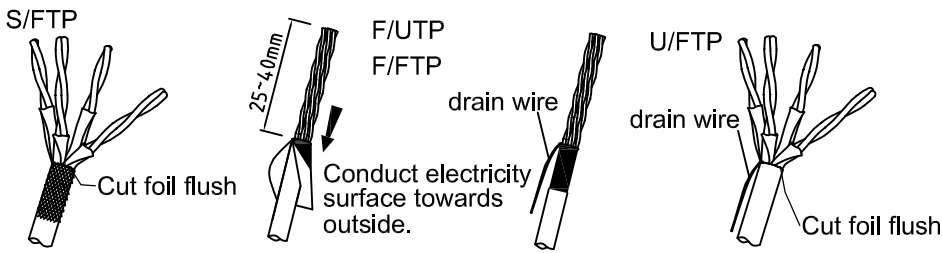
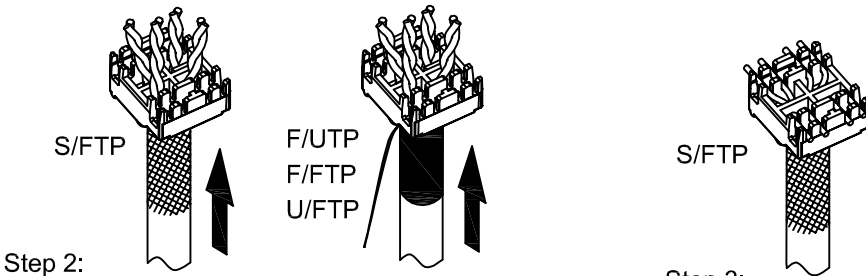


# Instruction Sheet



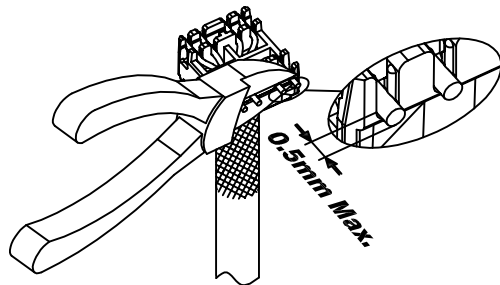
Step 1:  
Strip the cable for minimum 25 mm, pull the foil or braided shield back over the jacket and wrap the drain wire around the shield.

NOTES:  
IDC is suitable for 22~24AWG wires.

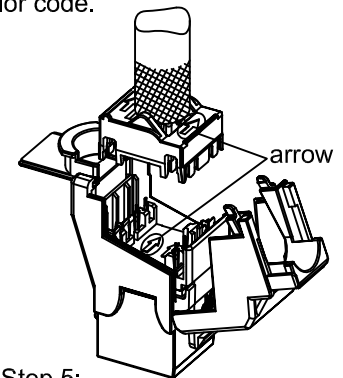


Step 2:  
Insert the wires into the cap through the holes.

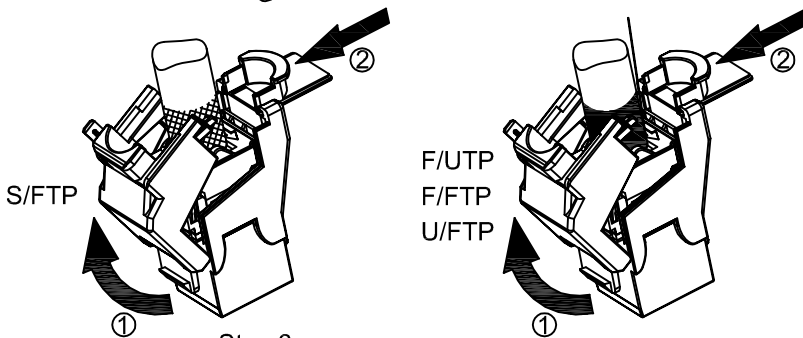
Step 3:  
Lay the wires to their correct positions based on the color code. (T568A/T568B)



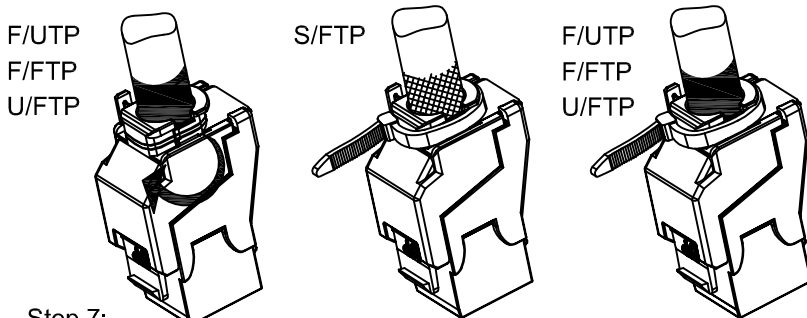
Step 4:  
Cut the excess wires off. The tips of the wires should protrude no more than 0.5mm.



Step 5:  
Put the cap on the IDC tower. The arrows on the jack and the cap should face the same direction. Put the cap into position.



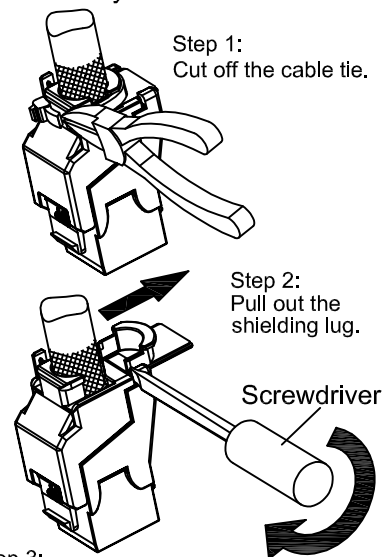
Step 6:  
Close the jaw until it clicks into place. See circle ①. See circle ②; insert clip.



Step 7:  
The drain wire should be wrapped around the strain relief as shown to ensure 360° shielded.

Step 8:  
Fix the cable tie to the shielding lug.

**Disassembly Instruction:**



Step 3:  
Insert the screwdriver into the slot and rotate it to open the jaw.