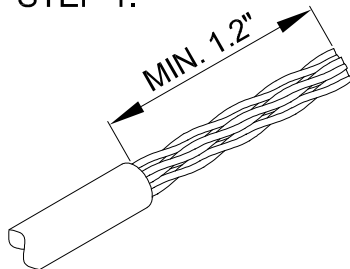


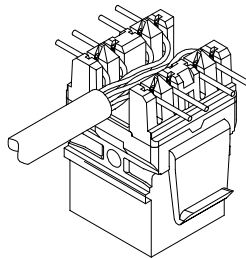
INSTRUCTION SHEET

STEP 1:

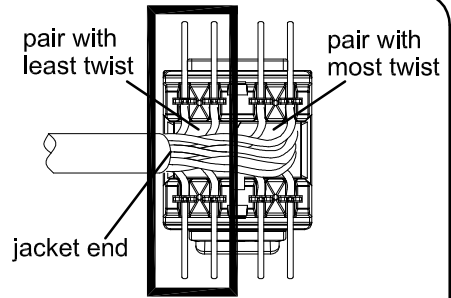


Strip off at least 1.2 inches of jacket from end of cable.

STEP 2:

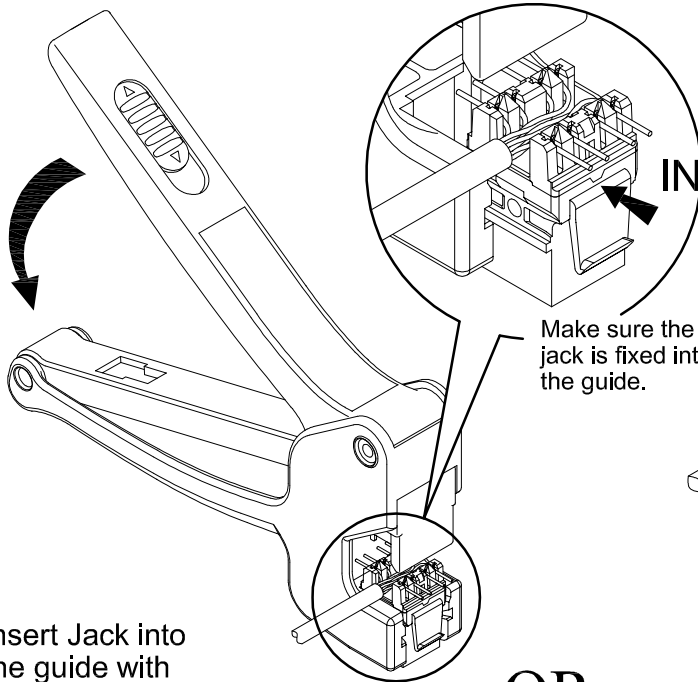


Press the wires through the projecting portion of terminals until fixed.



The pair with the least twist should be inserted into the IDC closest to where the jacket ends.

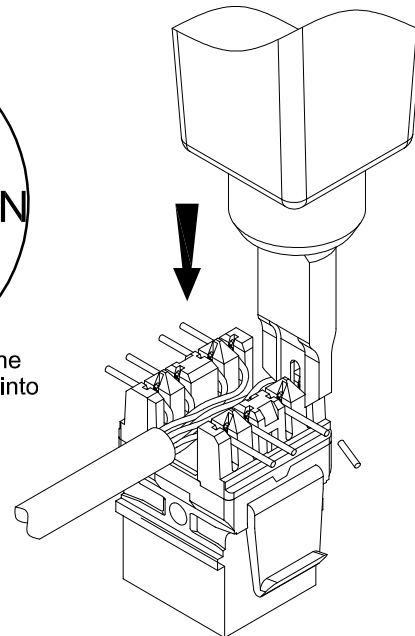
STEP 3:



Make sure the jack is fixed into the guide.

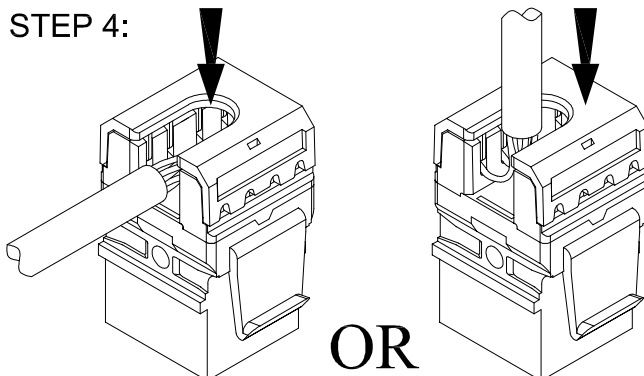
Insert Jack into the guide with either directions.

OR



Terminate wires with punch down tool. Make sure the tool cuts off the excess wires.

STEP 4:



Place cap on Jack and press to make sure it is fully seated. The cap opening allows the cable enters the jack from side or rear.

OR