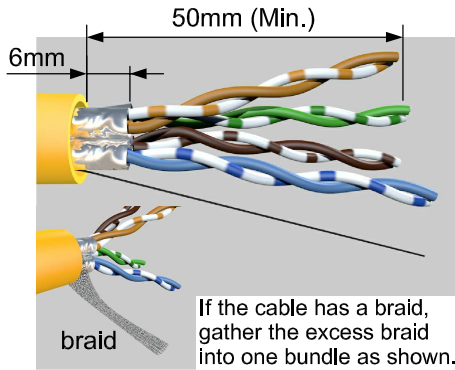
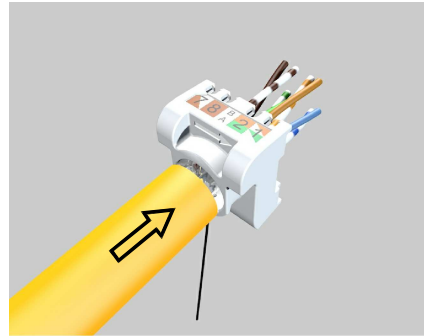


# Instruction Sheet

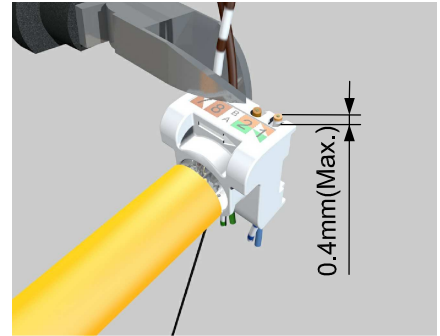
The T-Coupler has two different colored wire managers. They can be used on either side of the T-Coupler by following the same wiring scheme for each side (T568A/568B).



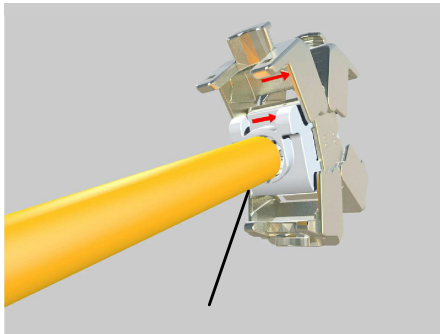
**Step 1:**  
Strip at least 50mm of jacket off of the cable.  
Pull back the braid, and retain 6mm of foil from the cable end.



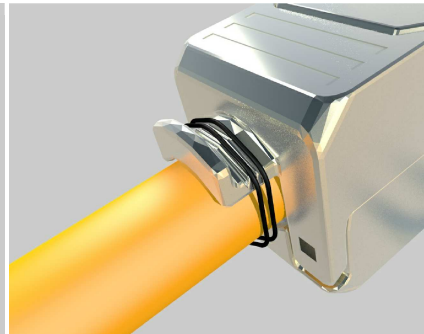
**Step 2:**  
Put wires through wire management and arrange in accordance with wiring color code (T568A/B).



**Step 3:**  
Trim excess wires. The tips of the wires should protrude no more than 0.4mm.



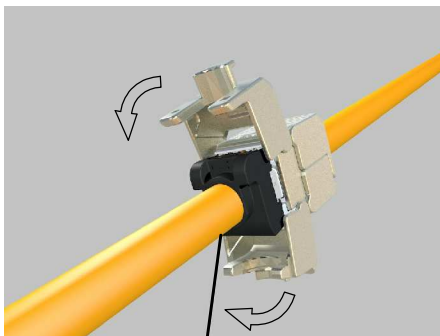
**Step 4:**  
Put the wire manager on the IDC tower.  
**NOTE:** The arrows on coupler and cap should face the same direction.



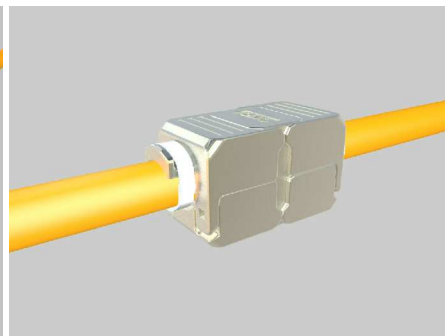
**Step 5:**  
Close the covers all the way, which will terminate the wires to the IDC's. Then wrap the drain wire (or bundled braid) around the strain relief.



**Step 6:**  
Tighten a cable tie around the strain relief to complete the assembly for one side.



**Step 7:**  
Repeat steps 1~6 to the other side to complete the termination.



The finished termination.