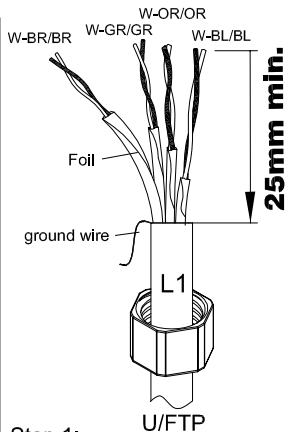
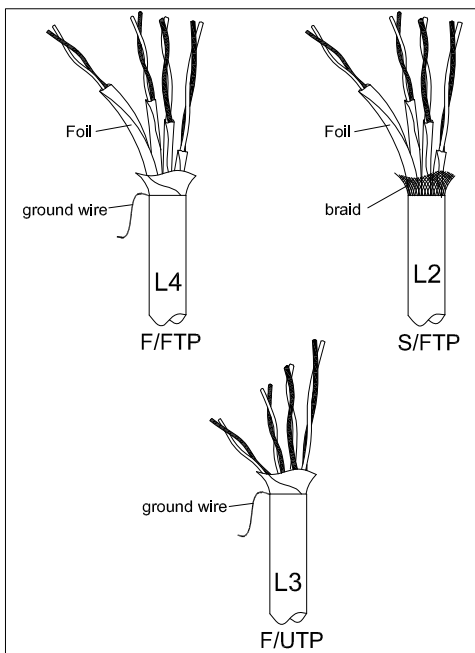
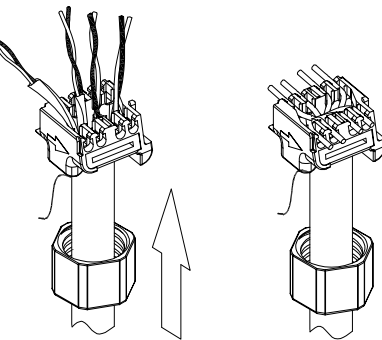


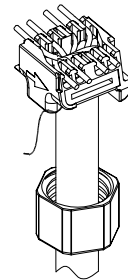
Instruction Sheet



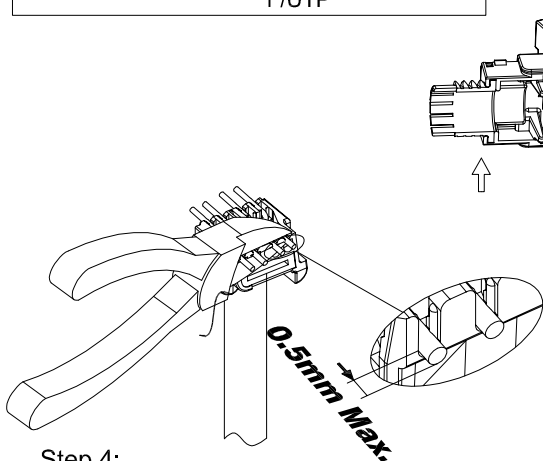
Step 1:
Strip the cable for minimum 25 mm, pull the foil or braided shield back over the jacket.
NOTES:
Put cable through the Nut.
(OD:6~8mm;23~26AWG)



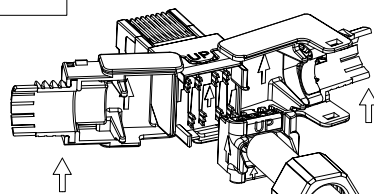
Step 2:
Insert the wires into the cap through the holes.



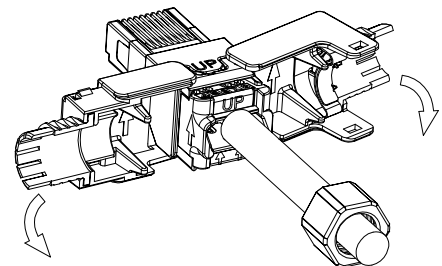
Step 3:
Lay the wires to their correct positions based on the color code. (T568A/T568B)



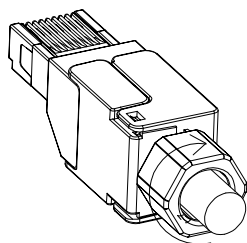
Step 4:
Cut the excess wires off. The tips of the wires should protrude no more than 0.5mm.



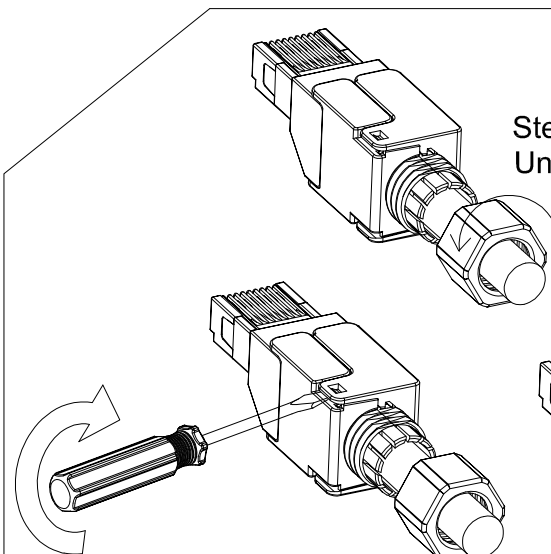
Step 5:
Put the cap on the IDC tower. The arrows on the jack and the cap should face the same direction. Put the cap into position.



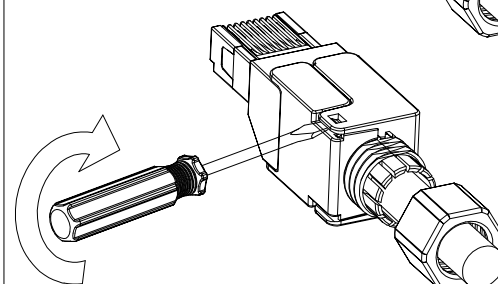
Step 6:
Close the jaws until hearing the click.



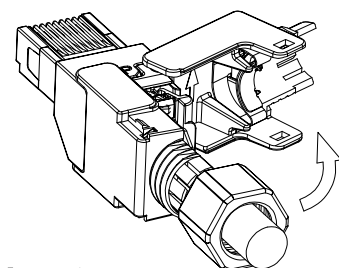
Step 7:
lock the nut.



Step 1:
Unlock the nut.



Step 2:
Insert the slotted screwdriver into the slot and rotate to open the jaws.



Step 3:
Insert the slotted screwdriver into the slot and rotate to open the wiring Management.