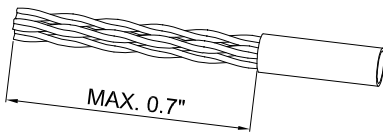


Installation instructions

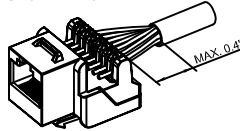
EUROLAN

Termination

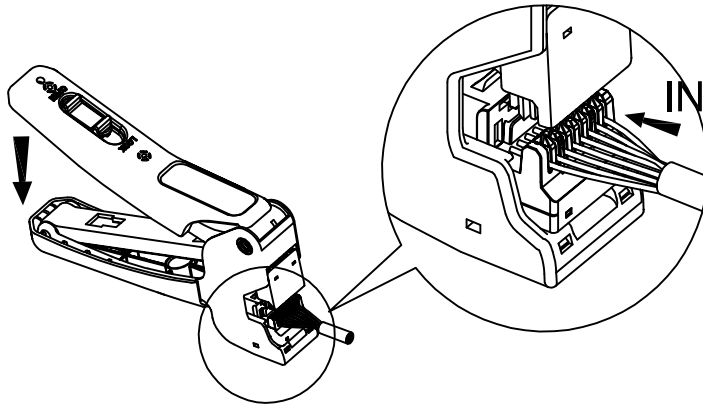
STEP 1:
Strip off at maximum 0.7 inch of the jacket from end of cable.



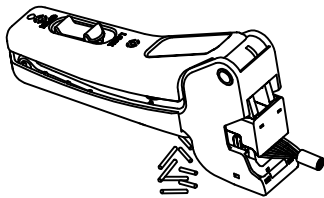
STEP 2:
Press the wires through the projecting portion of terminals until fixed. The maximum wire length is 0.4 inch.



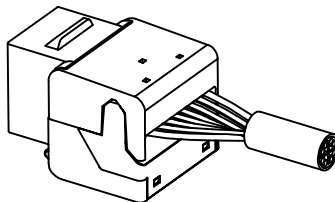
STEP 3:
Insert L-jack into the guide.



STEP 4:
Press L-tool to terminate L-jack and cut extra wires.

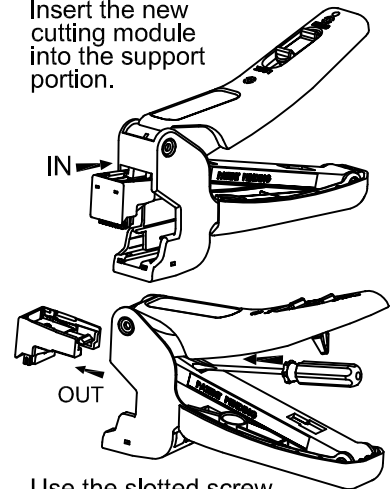


STEP 5:
Place cap on L-jack and press to make sure it is fully seated.



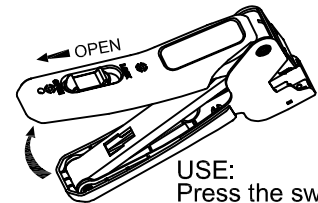
Cutting Module Assembly

Insert the new cutting module into the support portion.

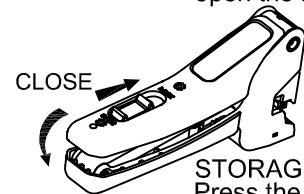


Use the slotted screw driver to push out the cutting module.

Handle Lock



USE:
Press the switch downward to open the handle.



STORAGE:
Press the switch upward to lock the handle.