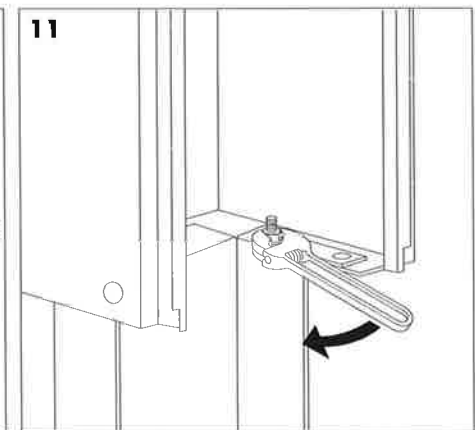
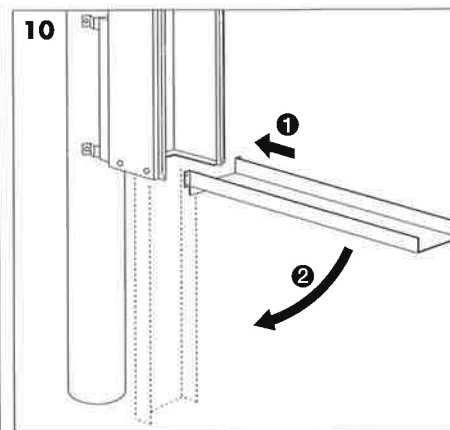
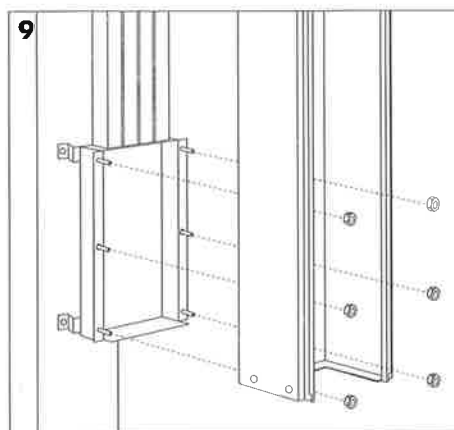
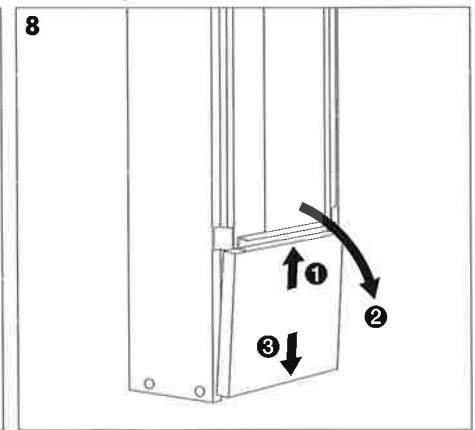
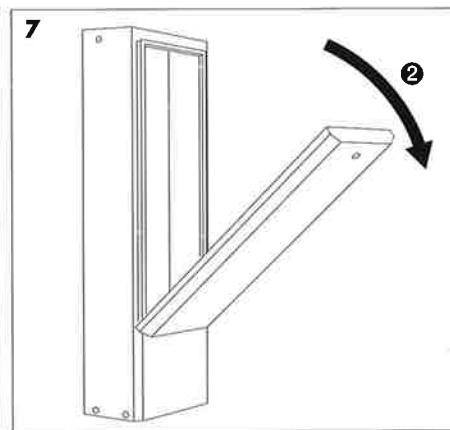
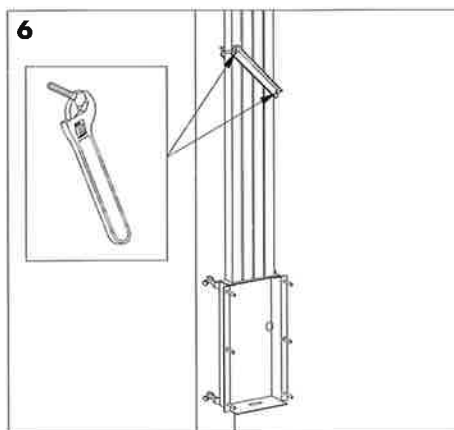
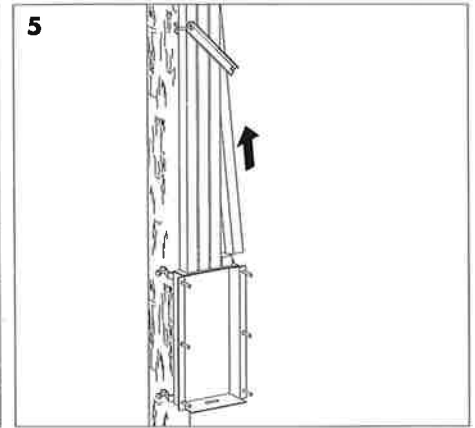
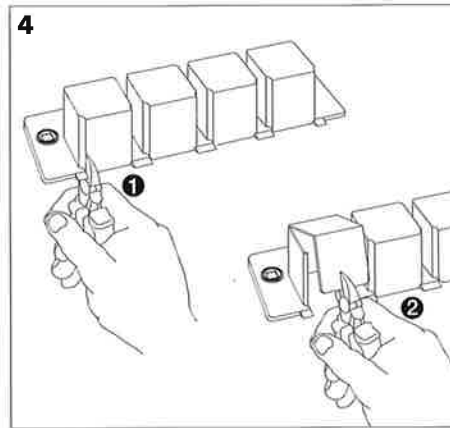
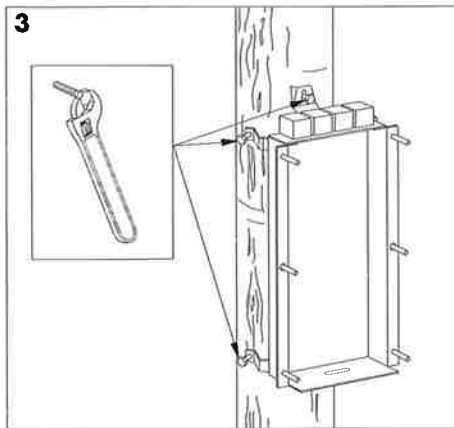
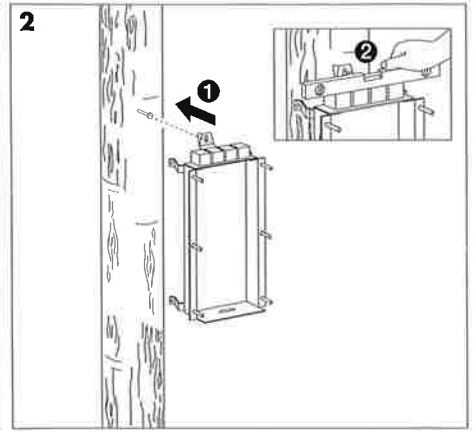
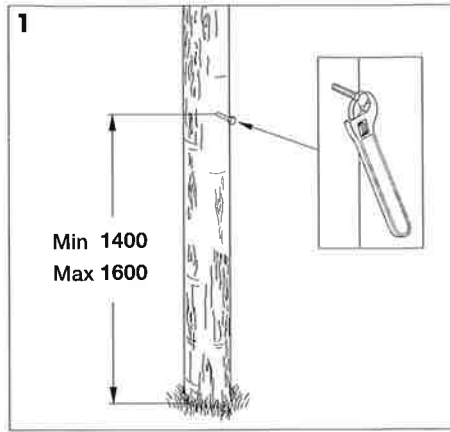
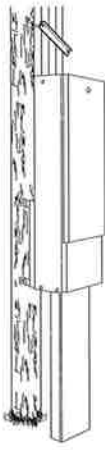
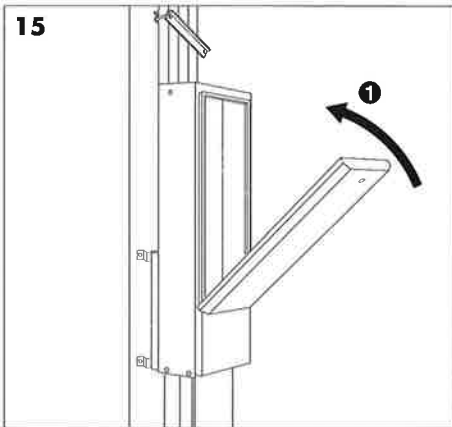
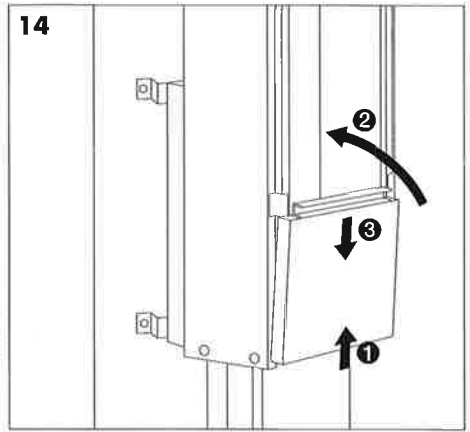
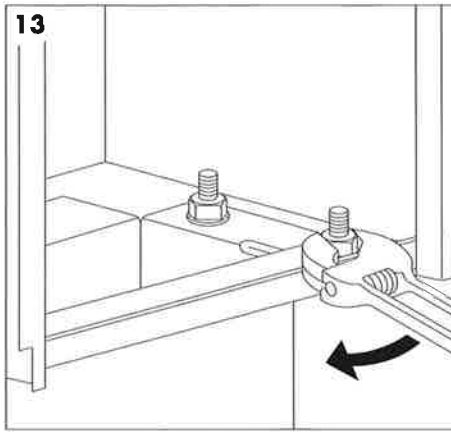
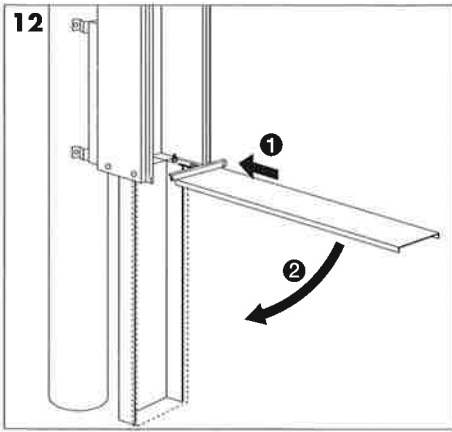


# SND 360





**ABB Automation Technology Products AB**

Cewe  
Box 1005, 611 29 NYKÖPING  
Telefon 0155-29 50 00  
Telefax 0155-28 81 10  
Besöksadress:  
Brukslagarvägen 5