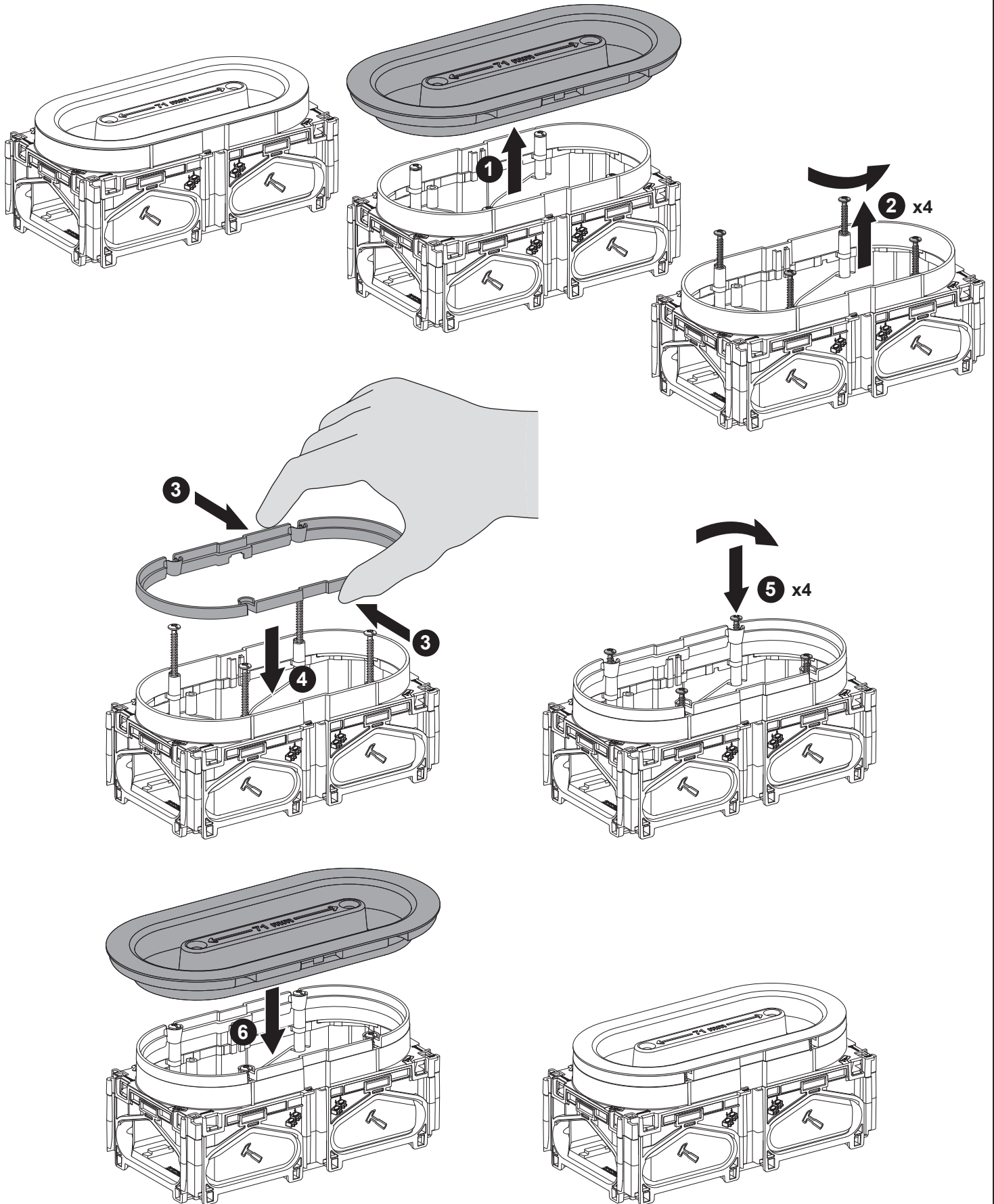




# Flexi + 2M extension ring 6mm



NNZ5673800-00

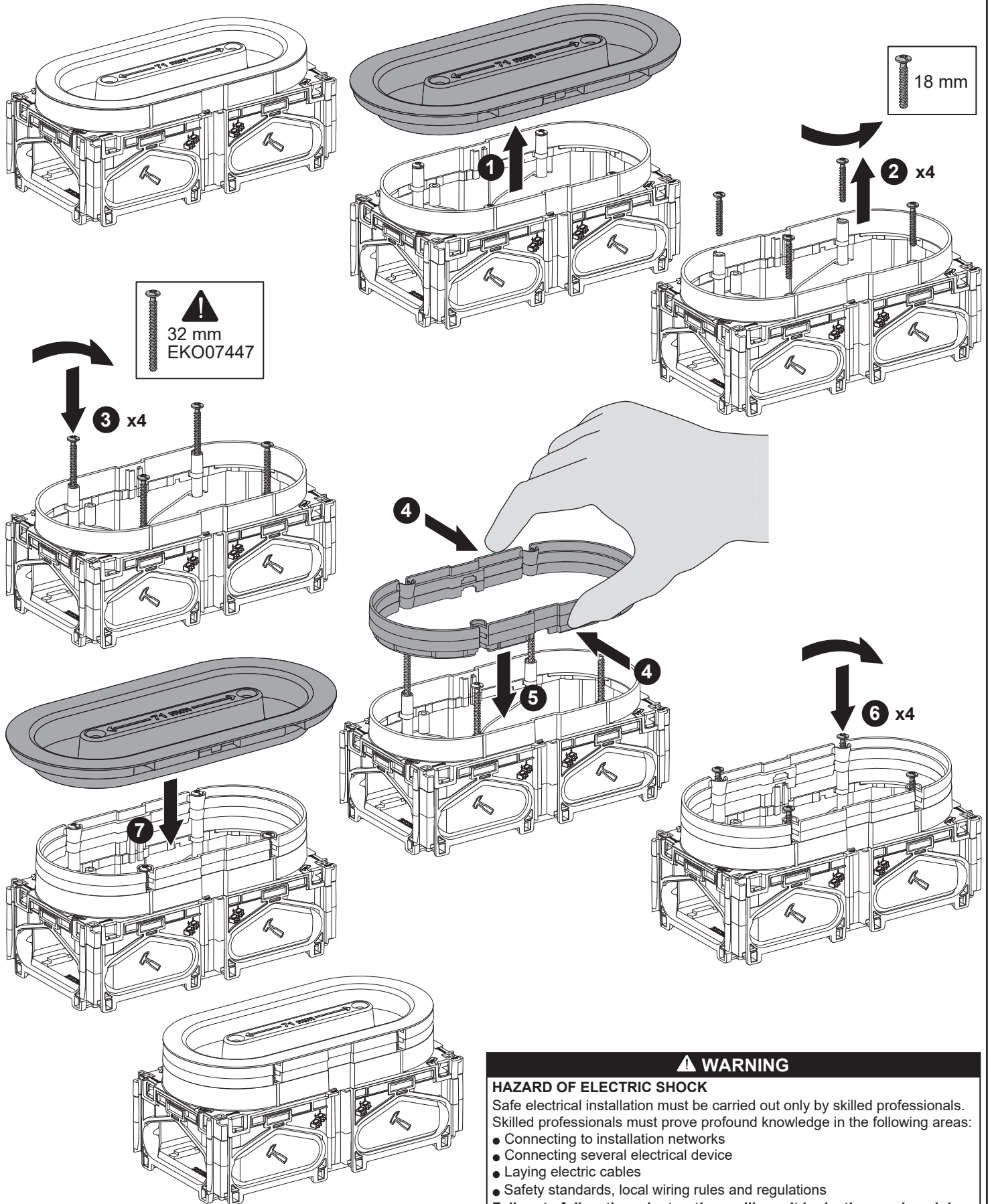
ELKO AB,  
Box 5115,  
121 17 Johanneshov  
[www.elko.se/kundsupport](http://www.elko.se/kundsupport)

ELKO AS,  
Pb. 6598 Etterstad, 0607 Oslo  
[www.proff.elko.no/kontakt-oss](http://www.proff.elko.no/kontakt-oss)





# Flexi + 2M extension ring 6mm



## ⚠ WARNING

### HAZARD OF ELECTRIC SHOCK

Safe electrical installation must be carried out only by skilled professionals. Skilled professionals must prove profound knowledge in the following areas:

- Connecting to installation networks
- Connecting several electrical device
- Laying electric cables
- Safety standards, local wiring rules and regulations

**Failure to follow these instructions will result in death or serious injury.**

NNZ5673800-00

ELKO AB,  
Box 5115,  
121 17 Johanneshov  
[www.elko.se/kundsupport](http://www.elko.se/kundsupport)

ELKO AS,  
Pb. 6598 Etterstad, 0607 Oslo  
[www.proff.elko.no/kontakt-oss](http://www.proff.elko.no/kontakt-oss)

