



RAYCHEM

WinterGard Mat

- EN** Electrical heating mat for ramp snow melting and track heating
- DE** Freiflächenheizmatte für schnee- und eisfreie Garagenzufahrten, Rampen und Gehwege
- FR** Trame chauffante pour déneigement de rampes d'accès
- PL** Elektryczna mata grzewcza do ochrony przed oblodzeniem i zaleganiem śniegu na rampach i podjazdach
- CZ** Elektrická topná rohož pro roztápnění sněhu a ledu na venkovní ploše
- RU** Электрические греющие маты для стаивания снега на подъездных площадках и подогрева дорожного полотна
- NL** Elektrische verwarmingsmat voor toegangen en opritten
- SV** Elektrisk värmematta för snösmältning och uppvärmning av ramper och hjulspår
- NO** Elektrisk varmematte for snøsmelting på ned/oppkjørsel og sporvarming
- FI** Sulanapitomatto ulkoalueiden sulanapitoon



EN

DE

FR

PL

CZ

RU

NL

SV

NO

FI

ENGLISH

WinterGard Mat	11
General	11
WinterGard Mat Heating System (1)	11
Additional Items	11
Layout Considerations	12
Preparing Subsurface	13
Cable Resistance and Insulation Resistance Test	13
Heating Mat Installation	14
Check the Installation	18
Top Surface Installation	18
Drain Tracing System with Self-Regulating Heating GM-2XT Cable	18
Finishing	19
Operation	19
Trouble Shooting Guide	20

DEUTSCH

WINTERGARD-MATTE	21
Allgemeines	21
Freiflächen-Heizsystem WinterGard-Matte (1)	21
Zubehör	21
Überlegungen zur Auslegung	22
Vorbereiten des Untergrundes	23
Vor der Installation zu prüfen	23
Installation der Freiflächen-Heizmatte	24
Überprüfung der Montage	28
Oberflächeninstallation	28
Heizkabelwiderstands- und Isolationsprüfung	28
Rinnenbeheizungssystem mit selbstregelndem GM-2XT Heizband	28
Abschließende Arbeiten	29
Betrieb	29
Fehlersuche	30

FRANÇAIS

Trame WINTERGARD	31
Généralités	31
Trame WinterGard (1)	31
Accessoires	31
Configuration	32
Préparation de la surface	33
Mesures de résistance et de résistance d'isolement	33



EN

DE

FR

PL

CZ

RU

NL

SV

NO

FI

Pose de la trame chauffante	34
Vérification de l'installation	38
Pose du revêtement de surface	38
Système de traçage de drains avec le ruban chauffant autorégulant GM-2XT	38
Finitions	39
Utilisation	39
Guide de dépannage	40

POLSKI

WINTERGARD MAT	41
Informacje ogólne	41
System grzewczy WinterGard mat (1)	41
Dodatkowe komponenty	42
Wskazówki dotyczące montażu	42
Przygotowanie podłoża	43
Przed przystąpieniem do montażu	43
Montaż maty grzewczej.	44
Kontrola zamontowanego systemu	48
Układanie warstwy wierzchniej	48
Pomiar rezystancji żyły grzejnej i rezystancji izolacji.	48
Ogrzewanie odwodnienia liniowego samoregulującym przewodem grzejnym GM-2XT	48
Prace końcowe.....	49
Obsługa systemu	49
Rozwiązywanie problemów	50

ČESKY

Rohož WinterGard Mat	51
Obecné	51
Topný systém WinterGard Mat (1)	51
Další položky	51
Návrh a uspořádání	52
Příprava podkladu	53
Zkouška odporu kabelu a izolačního odporu	53
Instalace topných rohoží	54
Zkontrolujte instalaci	58
Instalace horního povrchu	58
Systém pro ohřev odtokového žlábků se samoregulačním kabelem GM-2XT	58
Dokončovací práce	59
Provoz	59
Průvodce řešením problémů	60

РУССКИЙ

Греющие маты WINTERGARD	61
Важная информация!	61
Система греющих матов WinterGard для стаивания снега	61
Дополнительное оборудование	62
Рекомендации по компоновке	62
Подготовка чернового основания	63
Предмонтажные испытания.....	63
Монтаж греющего мата	64
Контроль монтажа	68
Укладка финишного покрытия	68
Система подогрева дренажного лотка с помощью саморегулирующегося греющего кабеля GM-2XT	68
Окончательный монтаж	69
Рабочий режим	69
Руководство по поиску и устранению неисправностей	70

NEDERLANDS

WINTERGARD MAT	71
Algemeen	71
WinterGard mat verwarmingssysteem (1)	71
Bijkomende onderdelen	71
Overwegingen bij de installatie	72
Vorbereiding van de ondergrond	73
Controle van kabelweerstand en elektrische isolatie	73
Installatie van de verwarmingsmat	74
Controle van de installatie	78
Installatie van de bovenlaag	78
Afwatering met zelfregelende GM-2XT verwarmingskabel	78
Afwerking	79
Werking	79
Oplossen van storingen	80

SVENSKA

WINTERGARD värmematta	81
Allmänt	81
WinterGard värmematta (1)	81
Tillbehör	81
Att tänka på före installation	82
Iordningställande av underlaget	83
Mätning av kablarnas ledarresistans och isolationsresistans	83
Installation av värmemattan	84
Kontroll av installationen	88

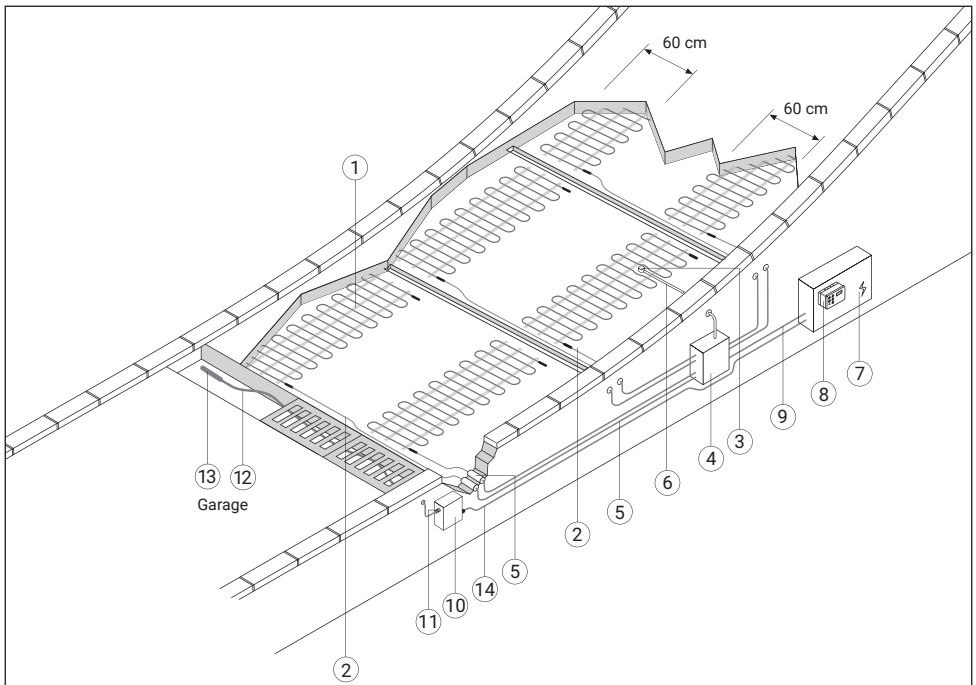
Läggning av ytlager	88
Självbegränsande värmekabel GM-2XT för Aco Drain-rännor	88
Avslutande arbeten	89
Handhavande i drift	89
Felsökningsschema	90

NORSK

WINTERGARD-matte	91
Generelt	91
Varmesystem med WinterGard-matte (1)	91
Tilleggskomponenter	91
Hensyn ved utlegging	92
Klargjøring under overflaten	93
Kabelmotstands- og isolasjonsmotstandstest	93
Installasjon av varmematte	94
Kontroller installasjonen	98
Legging av topplag	98
Varmesystem for drenering med selvregulerende värmekabel GM-2XT	98
Ferdiggjøring	99
Drift	99
Feilsøkingssguide	100

SUOMI

WINTERGARD sulanapitomatto	101
Yleistä	101
WinterGard sulanapitomatto (1)	101
Muita tuotteita	101
Lämmitettävä alue	102
Alustan valmistelu	103
Kaapelin resistanssin ja eristysvastuksen mittaus	103
Sulanapitomaton asennus	104
Asennuksen tarkistus	108
Päällysteen asennus	108
Sadevesiviemärin sulanapito itsesäätävällä GM-2XT lämpökaapelilla	108
Viimeistely	109
Käyttö	109
Vian määrittäminen	110



ENGLISH

- ① Ramp heating mat
- ② Cold lead
- ③ Control unit temperature + moisture sensor
- ④ Junction box
- ⑤ Connection lead conduit
- ⑥ Sensor lead conduit
- ⑦ Control panel
- ⑧ Control unit
- ⑨ Supply lead

Drain trace heating system

- ⑩ Junction box
- ⑪ Connection kit
- ⑫ GM-2XT heating cable
- ⑬ End seal
- ⑭ Supply lead

DEUTSCH

- ① Freiflächenheizmatte
- ② Anschlußkabel
- ③ Temperatur- und Feuchtefühler der Steuerungseinheit
- ④ Anschlußkasten
- ⑤ Schutzrohr für Anschlusskabel
- ⑥ Schutzrohr für Fühlerkabel
- ⑦ Schaltschrank
- ⑧ Steuerungseinheit
- ⑨ Zuleitung

Rinnenbeheizung

- ⑩ Anschlußkasten
- ⑪ Anschlußgarnitur
- ⑫ Heizband GM-2XT
- ⑬ Endabschluß
- ⑭ Zuleitung

FRANÇAIS

- ① Trame chauffante pour rampes d'accès
- ② Sortie froide
- ③ Sonde de température et d'humidité de l'unité de commande
- ④ Boîte de raccordement
- ⑤ Gaine de protection de liaisons froides
- ⑥ Gaine de protection du câble de sonde
- ⑦ Armoire électrique
- ⑧ Unité de commande
- ⑨ Câble d'alimentation électrique

Système de traçage de drain

- ⑩ Boîte de raccordement
- ⑪ Kit de connexion
- ⑫ Ruban chauffant GM-2XT
- ⑬ Terminaison
- ⑭ Câble d'alimentation électrique



EN

DE

FR

PL

CZ

RU

NL

SV

NO

FI

POLSKI

- ① Mata grzewcza do ogrzewania podjazdów
- ② Przewód zasilający
- ③ Czujnik temperatury i wilgotności gruntu
- ④ Skrzynka przyłączeniowa
- ⑤ Rurka ochronna przewodu zasilającego
- ⑥ Rurka ochronna przewodu czujnika
- ⑦ Rozdzielnica sterująca
- ⑧ Sterownik
- ⑨ Przewód zasilający

System ogrzewania odwodnienia liniowego

- ⑩ Skrzynka przyłączeniowa
- ⑪ Zestaw przyłączeniowy
- ⑫ Przewód grzejny GM-2XT
- ⑬ Zestaw zakończeniowy
- ⑭ Przewód zasilający

ČESKY

- ① Topná rohož
- ② Přívodní vedení
- ③ Čidlo teploty + vlhkosti řídicí jednotky
- ④ Spojovací skříňka
- ⑤ Napájecí vodiče
- ⑥ Přívodní kabel senzoru
- ⑦ Rozvaděč
- ⑧ Řídicí jednotka
- ⑨ Přívodní kabel

Odvodňovací stopa topného systému

- ⑩ Propojovací skříňka
- ⑪ Připojovací sada
- ⑫ Topný kabel
- ⑬ Koncovka GM-2XT
- ⑭ Přívodní kabel

РУССКИЙ

- ① Греющий мат
- ② Холодный ввод
- ③ датчик температуры и влажности
- ④ Соединительная коробка
- ⑤ Кабелепровод для соединительного кабеля
- ⑥ Кабелепровод для датчика
- ⑦ Панель управления
- ⑧ Устройство управления
- ⑨ Подвод питания

Система обогрева дренажа

- ⑩ Соединительная коробка
- ⑪ Набор для соединения
- ⑫ Греющий кабель GM-2XT
- ⑬ Концевая заделка
- ⑭ Подвод питания

NEDERLANDS

- ① Verwarmingsmat
- ② Aansluitkabel
- ③ Vocht- en temperatuursensor
- ④ Aansluitdoos
- ⑤ Elektriciteitsbuis
- ⑥ Buis voor sensorkabel
- ⑦ Schakelkast
- ⑧ Besturing
- ⑨ Voedingskabel

Afvoer verwarmingssysteem

- ⑩ Aansluitdoos
- ⑪ Verbindingskit
- ⑫ GM-2XT verwarmingskabel
- ⑬ Eindafsluiting
- ⑭ Voedingskabel

SVENSKA

- ① Rampvärmematta
- ② Kalledare
- ③ Temperaturregulator och fukthaltsgivare
- ④ Kopplingsbox
- ⑤ Rör för anslutningskabel
- ⑥ Rör för givarledning
- ⑦ Automatiskåp
- ⑧ Reglerenhet
- ⑨ Matarkabel

Värmekabelsystem för dräneringsränna

- ⑩ Kopplingsbox
- ⑪ Anslutningssats
- ⑫ Värmekabel GM-2XT
- ⑬ Ändavslutning
- ⑭ Matarkabel

NORSK

- ① Varmematte for ned/oppkjørsel
- ② Kaldleder
- ③ Betjeningspaneltemperatur + fuktighetsføler
- ④ Koplingsboks
- ⑤ Ledningsrør for tilslutningsledning
- ⑥ Ledningsrør for følerleder
- ⑦ Kontrollpanel
- ⑧ Kontrollenhet
- ⑨ Tilførselsleder

Varmesystem for drenering

- ⑩ Koplingsboks
- ⑪ Tilkoplingsutstyr
- ⑫ GM-2XT varmekabel
- ⑬ Endeforsegling
- ⑭ Tilførselsleder

SUOMI

- ① Ajoluiskan sulanapitomatto
- ② Kylmäkaapeli
- ③ Ohjausyksikön lämpötila- ja kosteusanturi
- ④ KytKentärasia
- ⑤ Liitäntäjohtimen suojaPutki
- ⑥ Anturijohtimen suojaPutki
- ⑦ Ohjauskeskus
- ⑧ Säätyyksikkö
- ⑨ Syöttökaapeli

Viemärin lämmitysjärjestelmä

- ⑩ KytKentärasia
- ⑪ KytKentäpakkkaus
- ⑫ Lämpökaapeli GM-2XT
- ⑬ Loppupääte
- ⑭ Syöttökaapeli



EN

DE

FR

PL

CZ

RU

NL

SV

NO

FI

EN	Type – Mat length (230 Vac - 300 W/m ²)	Dimensions	Area	Conductor Resistance (+/-10%)	Power output (230 Vac)	Electrical protection (C Type)
DE	Typ – Heizmatte (230 Vac - 300 W/m ²)	Abmessungen	Fläche	Leitungs- Widerstand (+/-10%)	Leistung (230 Vac)	Ausgang Elektrische Absicherung (C Typ)
FR	Type – Longueur de trame (230 V ca - 300 W/m ²)	Dimensions	Surface	Résistance du conducteur (+/-10%)	Puissance de sortie (230 V ca)	Protection électrique (Type C)
PL	Typ maty grzewczej - długość (230 Vac - 300 W/m ²)	Wymiary	Pow. maty	Rezystancja w omach (+/-10%)	Moc (230 Vac)	Zabezpieczenie elektryczne (Charakterystyka C)
CZ	Typ – délka rohože (230 Vac - 300 W/m ²)	Rozměry	Oblast	Odpor vodiče (+/-10 %)	Výkon (230 V)	Elektrické jistiění (typ C)
RU	Тип – Греющий мат для стаивания снега длиной (230 Vac - 300 W/m ²)	Размеры	Площадь	Сопротивление (+/-10%)	Мощн ость (230 Vac)	Электрическая защита (C Тип)
NL	Type – Verwarmingsmat lengte (230 Vac - 300 W/m ²)	Afmetingen	Oppervlak	Geleiderweerstand (+/-10%)	Vermogen (230 Vac)	Elektrische zekering (Type C)
SV	Typ – mattlängd (230 VAC, 300 W/m ²)	Mått	Yta	Total resistans (+/-10 %)	Uteffekt (vid 230 VAC)	Säkringsstorlek (typ C)
NO	Type – Mattelengde (230 Vac - 300 W/m ²)	Størrelse	Område	Ledermotstand (+/-10 %)	Strøeffekt (230 Vac)	Elektrisk beskyttelse (C-type)
FI	Tyyppi – mattopituus (230 V AC - 300 W/m ²)	Mitat	Alue	Johtimen resistanssi (+/-10 %)	Teho (230 V AC)	Sähkösuojaus (tyyppi C)
		m x m	m²	Ohm (Min/Max)	W	A
	WinterGard-Mat-230V-2 m	2 x 0,6	1,2	139.6/161.6	360	10 A
	WinterGard-Mat-230V-3 m	3 x 0,6	1,8	93.1/107.8	540	10 A
	WinterGard-Mat-230V-4 m	4 x 0,6	2,4	69.8/80.8	720	10 A
	WinterGard-Mat-230V-5 m	5 x 0,6	3	55.8/64.7	900	10 A
	WinterGard-Mat-230V-7 m	7 x 0,6	4,2	39.9/46.2	1260	10 A
	WinterGard-Mat-230V-10 m	10 x 0,6	6	27.9/32.3	1800	10 A
	WinterGard-Mat-230V-13 m	13 x 0,6	7,8	21.5/24.9	2340	16 A
	WinterGard-Mat-230V-16 m	16 x 0,6	9,6	17.4/20.2	2880	16 A
	WinterGard-Mat-230V-21 m	21 x 0,6	12,6	13.3/15.4	3780	20 A

General

IMPORTANT: All the instructions provided in this manual must be followed carefully to ensure that the heating system operates correctly. The installation must also be compliant with local requirements applicable to electrical heating systems.

⚠ WARNING: The nVent RAYCHEM WinterGard Mat is an electrical device which must be designed and installed correctly. Follow all design, installation, test and operating instructions to ensure proper operation and to prevent electrical or fire hazard.

SCOPE: This manual focuses on the installation of WinterGard Mat in screed and sand for long-term structural stability. nVent can supply a different series of suitable products for laying in screed/concrete, asphalt or other applications.

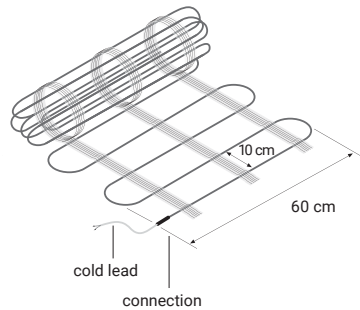
WinterGard Mat Heating System (1)

The WinterGard heating Mat is a constant wattage heating device for a permanent installation in screed, sand or asphalt under paving slabs.

It is a 230 Vac system regulated by a control unit. (Control unit provided separately.)

WinterGard Mat is a preterminated and ready to install heating mat with 1 cold lead connection and a power output of approx. 300 W/m² or 27 W/m of heating cable. All mats have a width of 0.6 m and are available in lengths from 2 m up to 21 m. The cold lead cable has a length of 5 m, and should be installed in a conduit.

The cable spacing is 10 cm. With 10 cm spacing the power output will be 300 W/m².



Spacer, junction box (4) and supply lead (9)

When it is necessary to loosen the heating cable from the mat, the plastics strips (VIA-Strips-PL) will help maintain the correct spacing (10 cm). For asphalt layer the metal VIA-Spacer should be used.

Extension of the cold leads needs to be done in a junction box. The connection between the control panel and the junction box is made by a suitable supply lead.

For installation in asphalt the sensor cables must be protected by a suitable conduit pipe (suitable to 240°C short terms) or be laid under the asphalt layer in the substrate underneath. The conduit pipe is sealed at the end so the asphalt cannot seep in.

Ensure that the heating cable and cold lead cable connections (splice joint) are completely enveloped by the asphalt (allow asphalt to cool to temperature of approx 100°C before pouring it over the splice joint and end seal) and without air pockets. This work needs to be done before the asphalt pouring of the entire surface will be executed.

Controller (8)

nVent offers control units specially designed for ramp heating applications. They incorporate combined temperature and moisture sensors to ensure efficient operation of the system.

Panels (7)

nVent offers a range of standard panels specifically designed for ramp heating applications. Each panel contains a built in control unit, plus circuit breakers and a residual current device (RCD).

Additional Items

Conduits (5, 6)

Conduits (not included) are required to protect the

- cold lead
- sensor connection lead

Electrical control equipment

If nVent standard panels are not used, further items will be required to complete the system:

- Contactors
- Circuit breakers
- Residual current device (RCD) 30 mA.

Storage of the mat

- Minimum installation temperature: -5°C
- Storage temperature range: -40°C to $+45^{\circ}\text{C}$
- Store all system elements in a clean, dry place.

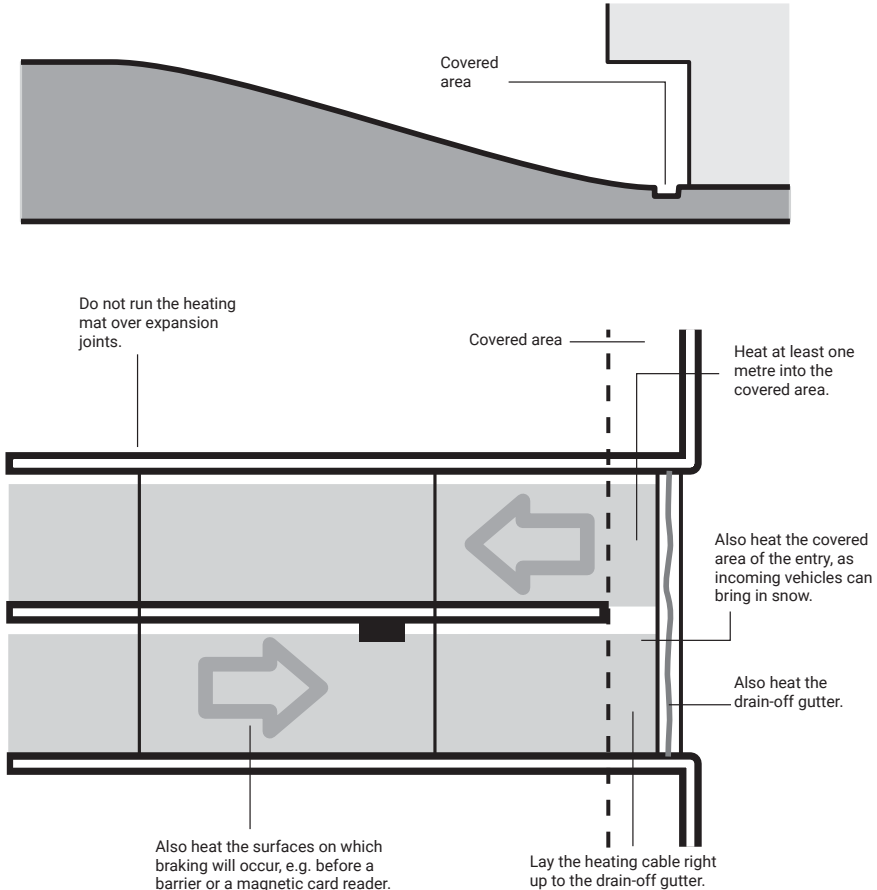
Test equipment

- 2500 Vdc insulation resistance tester (min. 500 Vdc)
- Ohmmeter

Layout Considerations

Area to be heated

Determine the exact area to be heated, e.g. wheel tracks. Consider the following factors:



First make sure that the area to be heated complies with the data in the design instructions. Establish where the junction boxes are to be installed and check that the connection leads are long enough.

The length is 5 m. Thoroughly clean the substratum before starting to install the heating mat, as sharp objects can damage the heating cable.

The WinterGard Mat must not be shortened or spliced.

Preparing Subsurface

The heating mat should be installed on a stable subsurface. In suspended structures the substratum may consist of finished slabs, prestressed concrete or a suspended structure with poured concrete. The heating mat can be laid on all subsurfaces.

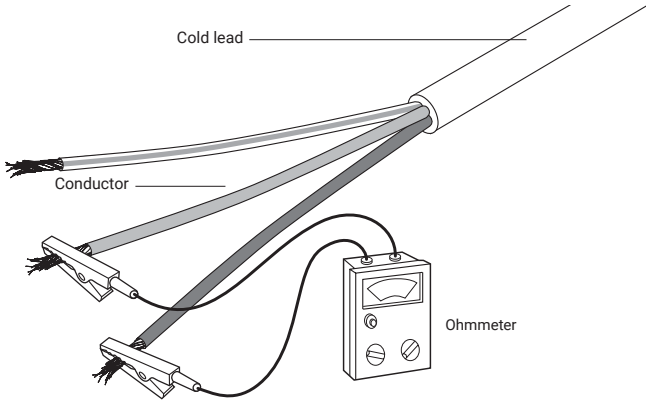
In the case of poured concrete, it should be ensured that the surface is smooth and all sharp objects are removed. Ramps on a solid substratum do not require any additional thermal insulation.

Appropriate preparations should be made for installing the temperature and moisture sensor.

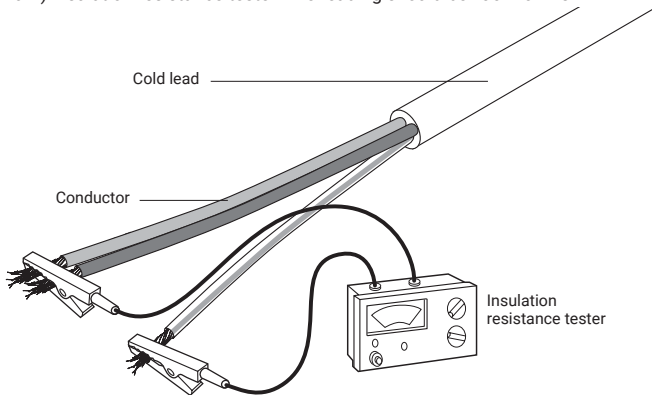
Cable Resistance and Insulation Resistance Test

Testing the heating mat involves the measuring of the conductor resistance and the cable electrical insulation resistance.

The conductor resistance is measured with an ohmmeter. A deviation of up to 10% from the nominal resistance is permissible. See table on page 10.



The insulation resistance should be measured with the aid of a 2500 Vdc (500 Vdc minimum) insulation resistance tester. The reading should be 100 Mohms min.



Record all the measured values on the Installation Test Record provided.

Heating Mat Installation

All connections and electrical testing should be carried out by a qualified electrician.

The heating mats should be installed for ramp and driveway heating.

For irregular shaped areas, it is acceptable to cut the tape of the mat (not the heating cable) in order to cover the entire area.

- The heating mat should be separated from other heat sources such as luminaries and chimneys.
- Allow sufficient drying or the curing period of the concrete/asphalt after installing the heating system and before energizing the heating system.
- Never alter the heating mat/cable length in any circumstances
- Never provide power supply in reel form of the cable and roll form of the mat.
- Do not use excessive force to pull the cold leads otherwise it may damage the hot-cold splice.

However, the heating cable within the mat should:

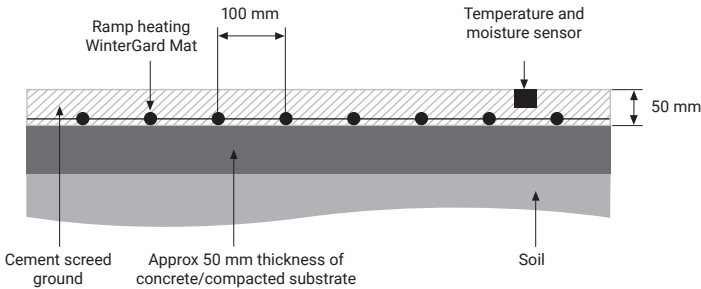
- not be cut or damaged,
- not be crossed over
- not be installed within 10 cm of another section of heater,
- not be installed across expansion joints or separate concrete slabs.

Minimum cable spacing is 10 cm

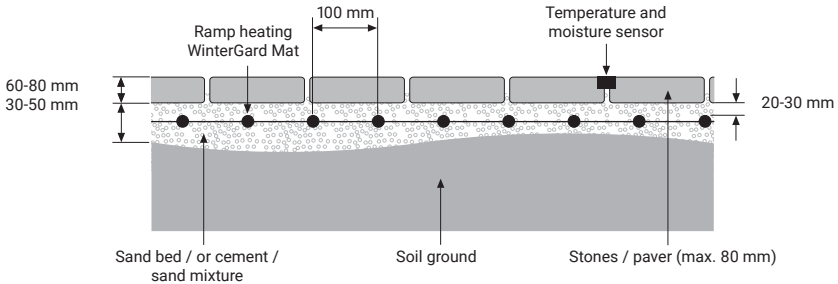
The heating mats must be secured to the underlying surface to prevent movement during the installation.

The cold lead cable should be protected in a conduit. The entire length of heating cable should be covered by wet sand-cement mixture, screed, or dry sand or asphalt depending on the selected top surface.

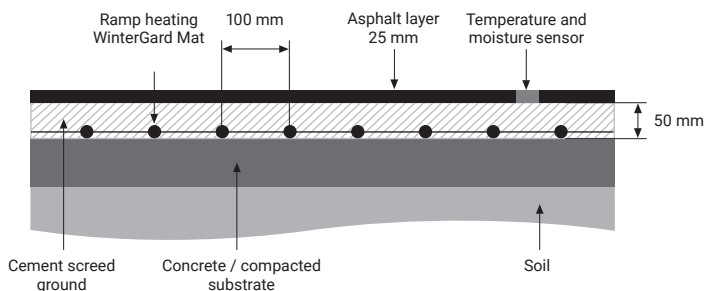
Ramp heating embedded in cement screed or asphalt



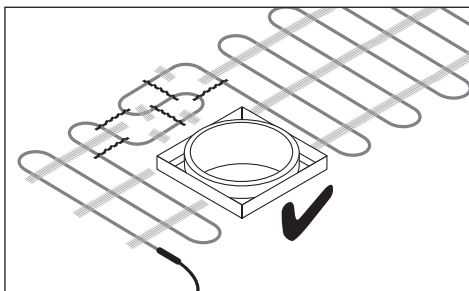
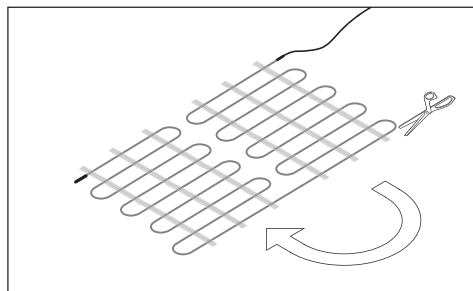
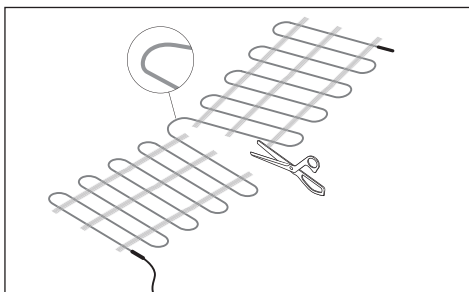
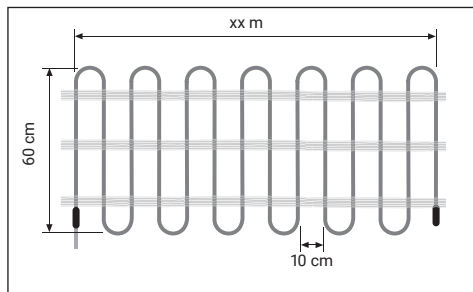
Ramp heating with top floor stones or pavers



Ramp heating mat embedded in concrete / cement screed under asphalt layer

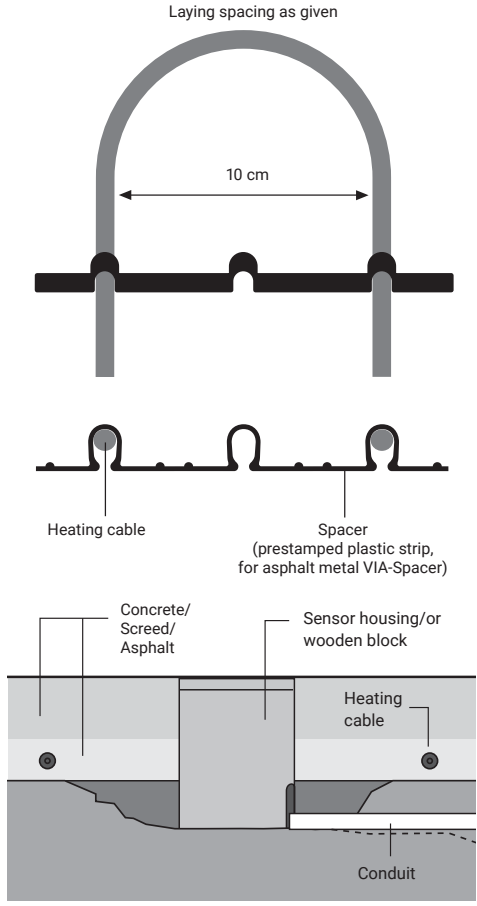


If the heating cable has to be loosened from the mat, the installer should use the plastic spacer to keep the cable spacing consistent.



- EN
- DE
- FR
- PL
- CZ
- RU
- NL
- SV
- NO
- FI

Use spacers to arrange loose heating cable

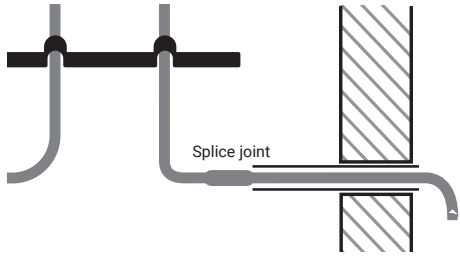


- The sensor lead should be routed under the layer with the heating mat.

Installation of conduit for cold lead

The conduit for the cold lead should be arranged such that the connection between heating cable and cold cable is fully embedded in the slab.

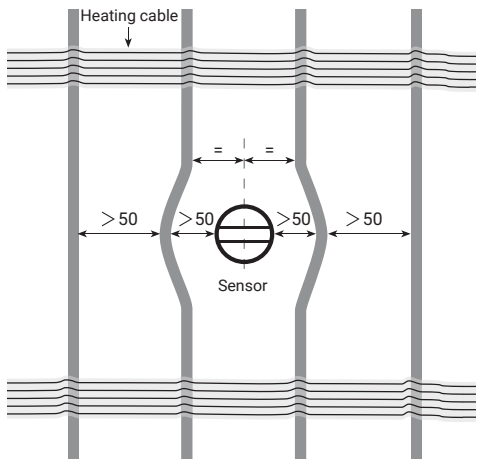
In case of asphalt installation, the cold leads should be protected by a suitable conduit pipe (suitable to 240°C short terms) and its ends sealed so that asphalt does not seep in. Take the cold lead of the cable through conduit pipe into the junction box.



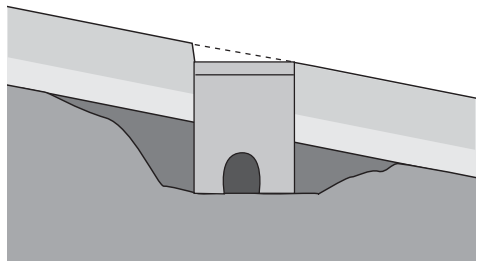
Installing the temperature and moisture sensor (3)

Install the temperature and moisture sensor in accordance with the instructions supplied with the unit. Ensure that it is supported at the correct height. For sensors comprising a separate housing and sensor, install only the housing at this stage.

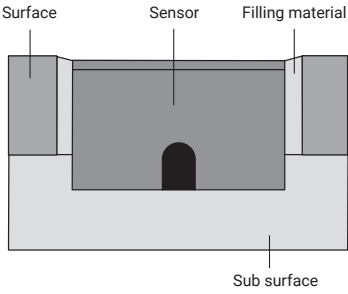
- The sensor should be placed mid-way between heating cable runs.
- Before and during concrete/asphalt pouring a small piece of wooden block should be installed as "place holder" for the sensor.



- The sensor lead should be protected by a metal conduit (6).
- The sensor must be mounted vertically, even on inclined surfaces.



Sensor





Check the Installation

Check heating mat

- Visually check the heating mat for damage.
- Verify that the loosened heating cable has been fastened to the spacers.
- Verify that the laying spacing has been maintained and that the heating mat has been kept away from expansion joints, sharp edges, etc.
- Verify that the heating mat has been installed at the correct depth.
- Visually check the connection leads for correct installation.

Do a layout sketch

Record the layout of each circuit, with particular reference to the position of the connection leads.

Perform the resistance tests

Carry out the resistance tests on each circuit to detect any damage that may have occurred during or after installation. The insulation resistance reading must be greater than 100 MΩ. Record the value for each circuit on the Installation Test Record.

Top Surface Installation

Checks

Perform the following checks before applying the top layer:

- Check for signs of heating cable damage.
- Check the spacing and below-surface depth of the heating cable, if applicable.

Resistance tests

It is advisable to perform resistance tests on all the heating circuits immediately before top surface works to detect any damage which may have occurred after installation. Record the resistance values of each heating circuit on the Installation Test Record.

Before commencing top layer works, ask the installation team to verify the resistance results, record the measured values and sign the Installation Test Record.

Top surface works

After completion of all surface works, perform the resistance tests and record the values on the Installation Test Record.

Drain Tracing System with Self-Regulating Heating GM-2XT Cable

Purpose

The drain tracing system ensures that melt water can drain away.

Note: The drain tracing circuit should be controlled by the same control system as the other heating circuits.

Install junction box (10)

Choose a position:

- close to the drain
- indoors if possible.

Install connection kit (11)

Terminate the GM-2XT heating cable into the junction box in accordance with the instructions provided with the Connection Kit.

Lay out the heating cable (12)

Protect the heating cable with conduit between the junction box and the drain. Trace the entire length of the drain to ensure that melt water will always have a drain-off path.

Install the end seal (13)

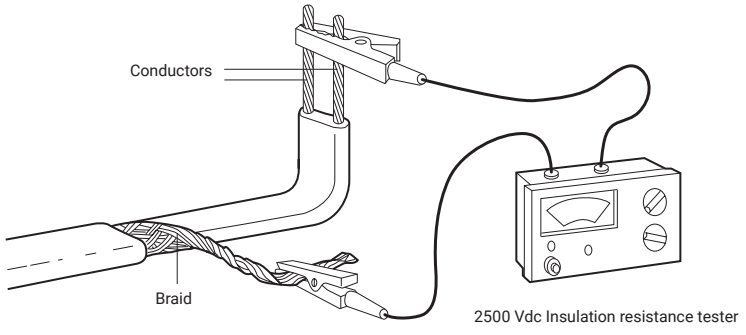
Install the end seal following the instructions provided with the End Seal kit.

Perform an insulation resistance test

The insulation resistance test detects damage to the heating cable such as cuts or punctures. It should be carried out using a 2500 Vdc instrument. Lower voltage instruments are less sensitive and are not recommended. The instrument should have a test voltage of not less than 500 Vdc.

Proceed as follows:

- Connect one lead to the heat strip braid.
- Connect the other lead to both heat strip conductors together.
- Apply voltage. The resistance reading must be greater than 100 MΩ.
- If the insulation resistance is less than this, the heat strip is damaged. Where possible, locate the fault and rectify. Record the insulation resistance value on the Installation Test Record.



Finishing

Install a grid over the drain to ensure that the heat strip is protected from damage.

Note: A 30 mA residual current device (RCD) is required for the drain tracing. Ensure that there are no more than 60 m of heating cable connected to each 16 A fuse.

Finishing

Complete sensor

Complete the installation of the sensor (where necessary).

Install panel and controls

Install the electrical panels according to the manufacturer’s instructions. Install control units, thermostats and manual control equipment in accordance with the manufacturers’ instructions.

Complete wiring and system

Follow applicable local regulations.

Operation

Initial start-up

Electrical Requirements

Complete all electrical testing following applicable local codes and practices. Inspect all wiring for conformance to design drawings. Check for correct rating on all protection devices.

Controller checks

Check controller in accordance with the instructions provided with the unit.

Resistance tests

Perform final resistance test to ensure that the connection lead and supply cable have not been damaged since installation.

General operation and maintenance

The system has no moving parts and therefore requires minimum maintenance. Local maintenance codes and requirements for electrical equipment should be complied with.

Circuit breakers should be checked periodically. Residual current devices (RCD) should be tested at least annually. Periodically inspect the system controls. Operate the controls to ensure that they function correctly.

Max. exposure temperature for heating mat: 65°C (For asphalt pouring 240°C short-term is allowed). Installer must supply operator/owner with the layout drawing.



Trouble Shooting Guide

EN

⚠ WARNING: Isolate supply before working on any part of the electrical system.

DE

Problem A: Over-current protection (circuit breaker) trips or blows

FR

Probable causes	Correction
Electrical fault at:	
<ul style="list-style-type: none"> • connection lead • damaged heating cable 	Locate and rectify the fault and reset or replace protection.
Protection undersized	Re-establish what the current loads are going to be and install new protection (NB: if protection is replaced, ensure it is compatible with the supply cable).
Defective protection	Replace

PL

CZ

RU

NL

SV

NO

FI

Problem B: Residual current device trips

Probable causes	Correction
Excessive moisture in junction box	Dry out and check seal; replace if necessary. Perform an insulation resistance test.
Earth fault at:	
<ul style="list-style-type: none"> • connection • damaged heating cable 	Locate and rectify the fault and reset or replace rcd.
Leakage current too high: power cable or heating cable too long	Correct problem and re-design.
Contactors bouncing	Replace with higher quality contactor
Voltage spikes in power supply network	Reset rcd. If condition persists, use clean power supply.
Defective rcd	Replace

Problem C: Ice/snow not melting

Probable causes	Correction
Loss of supply current due to over-current or residual current device operating.	Follow procedures outlined in A and B above.
Loss of supply cable continuity	Locate and rectify fault.
Incorrect setting or operation of system controls	Replace
Incorrect contactor sizing or damaged contactor	Rectify

Problem D: Ice/snow begins to melt, but system turns off too soon

Probable causes	Correction
Incorrect setting or operation of system controls	Repair system control unit or set system controls correctly.

Allgemeines

WICHTIG: Um sicherzustellen, daß das Freiflächenbeheizungssystem ordnungsgemäß funktioniert, müssen alle in diesem Handbuch enthaltenen Anweisungen genau eingehalten werden. Die Montage muß außerdem entsprechend den örtlich geltenden Bestimmungen für elektrische Beheizungssysteme erfolgen.

⚠ HINWEIS: Die Freiflächenheizmatte WinterGard-Matte ist eine elektrische Anlage, die in geeigneter Weise ausgelegt und ordnungsgemäß montiert werden muss. Zur Gewährleistung des ordnungsgemäßen Betriebs, zum Schutz vor elektrischer Gefährdung und zum Brandschutz müssen alle Anweisungen in Bezug auf Auslegung, Montage, Prüfung und Betrieb eingehalten werden.

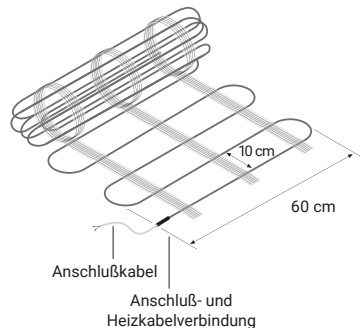
UMFANG: Dieses Handbuch beschreibt die Installation der nVent RAYCHEM Freiflächen-Heizmatte WinterGard in Estrich und Sand für dauerhafte Beanspruchungen.

nVent verfügt darüber hinaus über weitere Produkte, die für die Verlegung in Asphalt und für andere Anwendungen geeignet sind.

Freiflächen-Heizsystem WinterGard-Matte (1)

Die WinterGard Freiflächen-Heizmatte ist ein Heizsystem auf Festwiderstandsbasis mit konstanter Leistungsabgabe zur dauerhaften Installation in Estrich Beton, Sand unter Steinpflaster oder in Asphalt. Dieses System mit 230 VAC wird von einer Steuerungseinheit geregelt. (Regler separat erhältlich.) Bei der nVent RAYCHEM WinterGard Freiflächen-Heizmatte handelt es sich um eine vorkonfektionierte und installationsfertige Heizmatte mit einem Anschlußkabel und einer Heizbandleistung von ca. 300 W/m² oder 27 W/m. Alle Matten haben eine Breite von 0,6 m und sind in Längen von 2 m bis 21 m erhältlich. Das System umfasst außerdem ein vorkonfektioniertes Kaltleiterkabel mit einer Länge von 5 m, das in einem Installationsrohr installiert werden muss.

Der Kabelabstand beträgt 10 cm, wobei die Leistungsabgabe dann bei bis zu 300 W/m² liegt.



Abstandhalter, Verbindungs-kasten und Versorgungsleitung (9)

Falls das Heizkabel von der Matte entfernt werden muss, sorgen die Abstandshalter (VIA-Strips-PL) dafür, dass der richtige Abstand (100 mm) beibehalten wird. Für Asphalt muss der Metallabstandhalter verwendet werden. Um das Anschlußkabel zu verlängern, muß es an einen zweiten Anschlußkasten angeschlossen werden. Die Verbindung zwischen Schaltschrank und Anschluß-kasten wird durch eine geeignete Zuleitung hergestellt.

Bei der Verlegung in Asphalt müssen die Sensorkabel durch ein geeignetes Schutzrohr (kurzzeitig bis 240°C geeignet) geschützt oder unter der Asphaltdecke im darunter liegenden Untergrund verlegt werden. Das Schutzrohr wird am Ende abgedichtet, damit der Asphalt nicht eindringen kann.

Es ist darauf zu achten, dass die Heizkabel- und Kaltkabelverbindungen (Muffenverbindung) vollständig (Ø30cm) mit vom Asphalt abgedeckt sind (Asphalt auf ca. 100°C abkühlen lassen, bevor er über die Muffenverbindung und die Endabdichtung gegossen wird) und keine Luftfeinschlüsse aufweisen. Diese Arbeiten müssen durchgeführt werden, bevor die gesamte Fläche asphaltiert wird.

Steuerungseinheit (8)

nVent RAYCHEM bietet Steuerungseinheiten an, die speziell zum Schmelzen von Schnee und Eis ausgelegt sind. Sie werden mit einem kombinierten Temperatur- und Feuchtefühler geliefert und sorgen für einen wirtschaftlichen Betrieb des Systems.

Schaltschränke (7)

nVent RAYCHEM bietet eine Reihe von Standard-Schaltschränken an, die speziell für Freiflächenheizungs-Anwendungen ausgelegt sind. Jeder Schaltschrank ist mit integriertem Regler sowie Sicherungsautomaten und Fehlerstromschutzschaltern ausgestattet (FI).

Zubehör

Schutzrohre (5, 6)

Die Schutzrohre (bauseits) sind erforderlich zum Schutz des



- Anschlusskabels
- des Anschlusskables des Fühlers

EN

Elektrische Anlagenteile

Falls keine nVent RAYCHEM Standardschaltschränke verwendet werden, sind zur Vervollständigung des Systems erforderlich:

FR

PL

CZ

RU

NL

SV

NO

FI

- Leistungsschütze
- Sicherungsautomaten
- Fehlerstromschutzschalter (RCD) 30 mA

Lagerung

- Die minimale Installationstemperatur ist -5°C
- Zulässige Lagertemperatur: -40°C bis $+60^{\circ}\text{C}$
- Alle Systembestandteile an einem sauberen und trockenen Ort lagern.

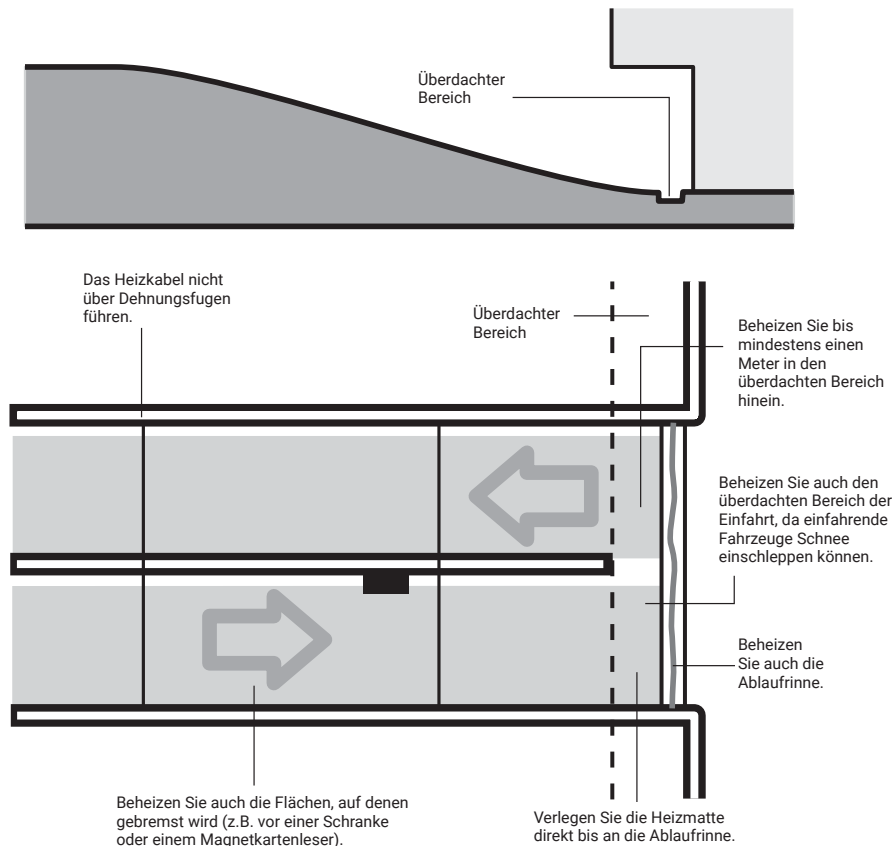
Geräte

- 2500 V Isolationsprüfgerät (min. 500 V)
- Widerstandsmeßgerät

Überlegungen zur Auslegung

Zu beheizende Fläche

Bestimmen Sie die genaue Fläche, die zu beheizen ist Berücksichtigen Sie folgende Faktoren:



Vergewissern Sie sich zunächst, dass die zu beheizende Fläche mit den Angaben in der Auslegungsanleitung übereinstimmt. Legen Sie fest, wo die Anschlussdosen installiert werden sollen, und prüfen Sie, ob die Anschlussleitungen lang genug sind.

Die Länge beträgt 5 m. Reinigen Sie den Untergrund gründlich, bevor Sie mit der Verlegung der Heizmatte beginnen, da scharfe Gegenstände das Heizkabel beschädigen können.

Die WinterGard-Heizmatte darf weder gekürzt noch verbunden werden.

Vorbereiten des Untergrundes

Die Heizmatte ist auf einem festem Untergrund zu verlegen. Reinigen Sie den Untergrund gründlich, bevor Sie mit der Montage beginnen, da scharfkantige Gegenstände das Heizkabel der Heizmatte beschädigen können.

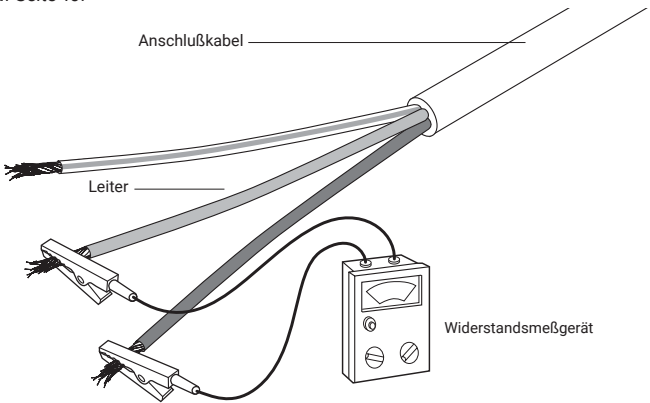
Gehwege und Fahrbahnen auf stabilen Untergründen erfordern keine zusätzliche Wärmedämmung. Die Vorbereitungen zum Anschließen des Temperatur- und Feuchtesensors sind vor Beginn der Heizmattenverlegung fertigzustellen.

Vor der Installation zu prüfen

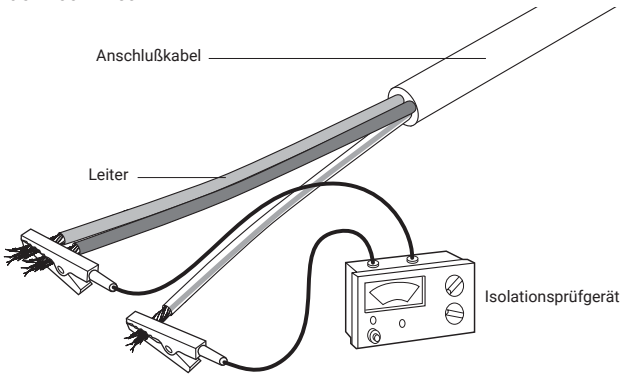
Vergewissern Sie sich, daß die zu beheizende Fläche den Angaben in der Projektierungsanleitung entspricht. Stellen Sie fest, wo die Anschlußkästen montiert werden und prüfen Sie, ob das Anschlußkabel lang genug ist. Die Länge beträgt 4 m. Reinigen Sie den Untergrund gründlich, bevor Sie mit der Montage beginnen, da scharfkantige Gegenstände das Heizkabel beschädigen können.

Das Heizkabel sollte vor der Montage mit einem Widerstandsmeßgerät geprüft werden. Dazu werden der Ohmsche Widerstand des Leiters und der Isolationswiderstand am Anschlußkabel gemessen. Der Widerstand des Leiters wird mit einem Widerstandsmeßgerät gemessen und sollte maximal 10% vom Nennwiderstand abweichen.

Siehe Tabelle auf Seite 10.



Der Isolationswiderstand sollte mit einem 2500 V (min. 500 V) Isolationsprüfgerät gemessen werden. Der Meßwert muß $\geq 100 \text{ M}\Omega$ sein.



Tragen Sie alle Meßwerte in das dafür vorgesehene Prüfprotokoll ein.

Installation der Freiflächen-Heizmatte

Sämtliche Anschlüsse und elektrischen Prüfungen sind von einem qualifizierten Elektriker auszuführen. Zur Beheizung von Rampen, Garageneinfahrten und Gewegen kann die Freiflächenheizmatte großflächig oder nur in den Flächen für die Fahrspuren verlegt werden. Bei unregelmäßig geformten Flächen kann die Freiflächen-Heizmatte (nicht das Heizkabel) zugeschnitten werden, damit die gesamte Fläche abgedeckt wird.

- Das Heizkabel sollte von anderen externen Wärmequellen getrennt sein.
- Nach der Verlegung der Heizmatten und vor der Inbetriebnahme des Heizsystems ist eine ausreichende Trocknungs- oder Aushärtungszeit des Betons/Asphalts vorzusehen.
- Verändern Sie unter keinen Umständen die Heizkabel oder Heizmattenlänge
- Die Stromzufuhr darf niemals in Form von Kabeltrommeln und Mattenrollen erfolgen.
- Ziehen Sie nicht mit übermäßiger Kraft an den Kaltleitern, da dies die Heiß-Kalt-Verbindung beschädigen kann.

Das Heizkabel in der Matte darf jedoch nicht:

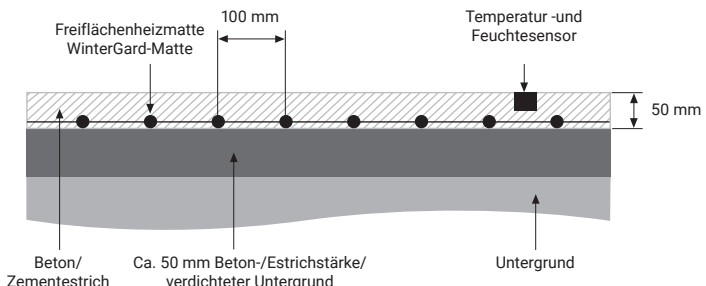
- geschnitten oder beschädigt werden,
- übereinander gelegt werden,
- in einem Abstand von höchstens 100 mm zu einem anderen Heizungsabschnitt installiert werden,
- über Bauwerksfugen oder separate Betonplatten hinaus installiert werden.

Der Heizkabelabstand beträgt mindestens 100 mm

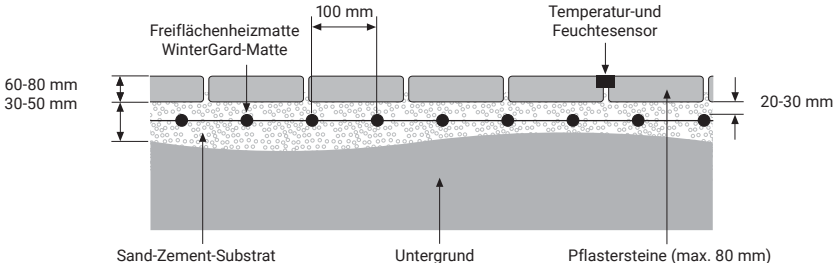
Die Freiflächen-Heizmatten müssen auf dem Untergrund befestigt werden, damit sie sich während der Installation nicht verschieben können.

Das Anschlußkabel ist in einem Schutzrohr zu verlegen. Das Heizkabel ist über die gesamte Länge abhängig von der gewählten Oberfläche mit einer Mischung aus feuchtem Sand und Zement, mit Estrich, trockenem Sand oder Asphalt abzudecken.

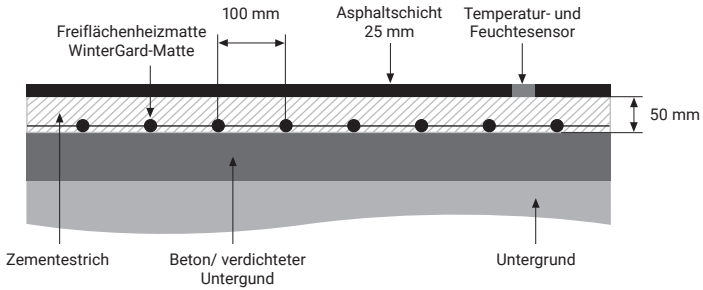
Freiflächenheizmatte in Beton/Zementestrich/Asphalt installiert



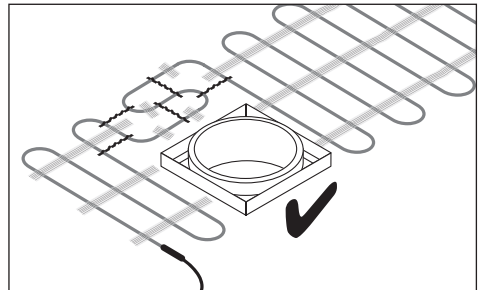
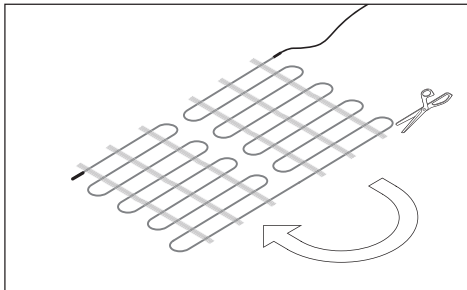
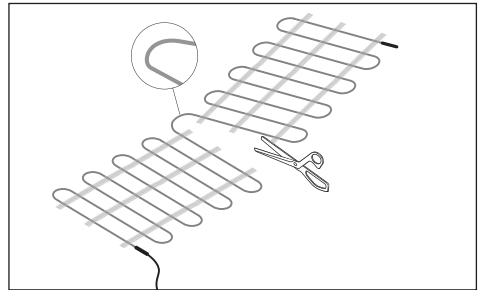
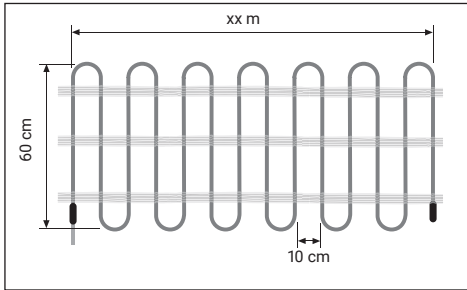
Freiflächenheizmatte unter Pflastersteinen



Freiflächenheizmatte installiert in Beton/Zementestrich unter Asphaltbelag

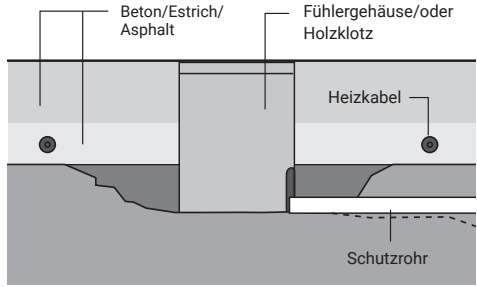
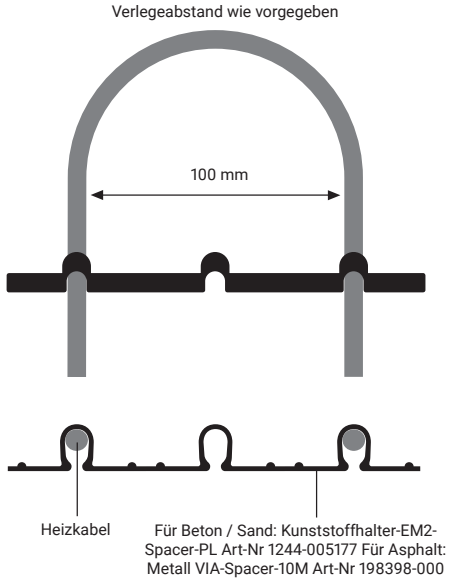


Wenn das Heizkabel von der Matte gelöst werden muss, sollte der Installateur Abstandhalter aus Kunststoff anbringen, um gleichmäßige Heizkabelabstände zu gewährleisten.



- EN
- DE
- FR
- PL
- CZ
- RU
- NL
- SV
- NO
- FI

Befestigung des Heizkabels auf dem Untergrund mit Hilfe von Abstandhaltern

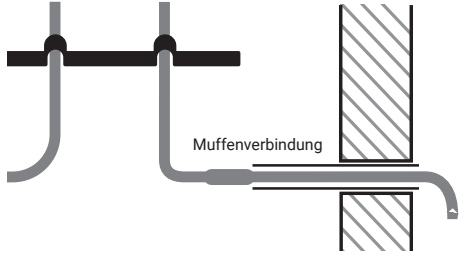


- Das Anschlußkabel des Fühlers muß unter dem Oberbelag verlaufen.

Verlegung des Installationsrohres

Das Schutzrohr für den Kaltleiter sollte so verlegt werden, dass die Verbindungsstelle von Heizkabel und Kaltleiter komplett im Bodenbelag eingebettet ist. Zum Schutz vor mechanischer Einwirkung sollte der Kaltleiter in einem entsprechenden Installationsrohr verlegt werden.

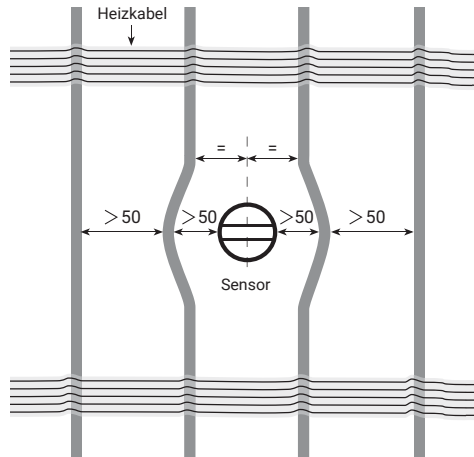
Im Falle einer Asphaltverlegung muss der Kaltleiter durch ein geeignetes Schutzrohr (kurzzeitig bis 240°C geeignet) geschützt und dessen Ende abgedichtet werden, damit kein Asphalt eindringen kann. Führen Sie die Kaltleitung des Kabels durch das Schutzrohr in die Anschlussdose.



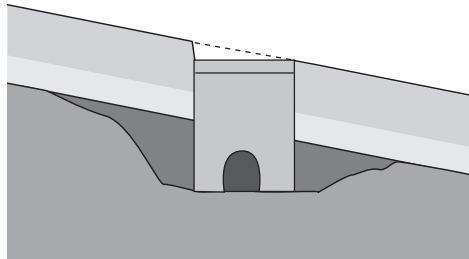
Montage des Temperatur- und Feuchtefühlers (3)

Montieren Sie den Temperatur- und Feuchtefühler gemäß der mitgelieferten Anleitung. Achten Sie darauf, daß er in der richtigen Höhe montiert wird. Sind Fühler und Gehäuse separate Einheiten, nur das Gehäuse montieren.

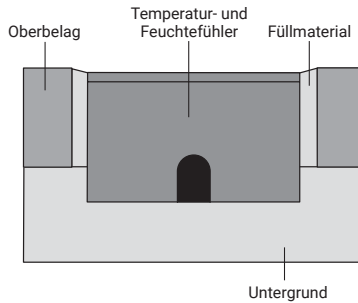
- Der Fühler ist in der Mitte einer Heizkabelschleife zu montieren.
- Vor und während des Betonierens/Asphaltierens sollte ein kleines Stück Holzklötz als "Platzhalter" für den Sensor angebracht werden.



- Das Anschlußkabel des Fühlers ist durch ein Metallschutzrohr zu schützen (6).
- Der Fühler muß in senkrechter Position montiert werden, auch bei geneigten Flächen.



Sensor





EN

DE

FR

PL

CZ

RU

NL

SV

NO

FI

Überprüfung der Montage

Prüfung des Heizkabels

- Sichtprüfung des Heizkabels auf Beschädigungen.
- Vergewissern Sie sich, daß das von der Heizmatte gelöste Heizkabel an den Abstandhaltern befestigt wurde.
- Stellen Sie sicher, daß der Verlegeabstand eingehalten wurde und das Heizkabel nicht über Dehnungsfugen, scharfen Kanten, etc. verlegt wurde.
- Stellen Sie sicher, daß die Heizmatte in der vorgeschriebenen Tiefe verlegt wurde.
- Durch Sichtprüfung sicherstellen, daß die Anschlußkabel vorschriftsmäßig montiert wurden.

Anfertigen eines Verlegeplans

Der Verlauf der einzelnen Heizkreise ist in einem Plan festzuhalten. Darin ist insbesondere die Lage der Anschlußkabel zu vermerken.

Durchführung einer Isolationsprüfung

Führen Sie für jeden Heizkreis eine Isolationsprüfung durch, um eventuelle Beschädigungen während oder nach der Montage festzustellen: Der angezeigte Widerstand muß min. 100 MW betragen.

Der Isolationswiderstand der einzelnen Heizkreise ist auf dem Prüfprotokoll einzutragen.

Oberflächeninstallation

Prüfungen

Vor Aufbringung des Oberbelages bzw. Estrichs sind folgende Prüfungen auszuführen:

- Heizkabel auf Anzeichen von Beschädigung überprüfen.
- Eventuell Verlegeabstand und Verlegetiefe des Heizkabels/Heizmatte überprüfen.

Isolationsprüfung

Direkt vor den Oberbelagsarbeiten wird eine Isolationsprüfung für alle Heizkreise empfohlen, um eventuell nach der Montage aufgetretene Beschädigungen festzustellen. Der Isolationswiderstand der einzelnen Heizkreise ist auf dem Prüfprotokoll einzutragen.

Heizkabelwiderstands- und Isolationsprüfung

Nach Abschluß der Oberbelagsarbeiten

Nach Abschluß der Oberbelagsarbeiten eine Isolationsprüfung durchführen und die Meßergebnisse in das Prüfprotokoll eintragen.

Rinnenbeheizungssystem mit selbstregelndem GM-2XT Heizband

Zweck

Das Rinnenbeheizungssystem sorgt dafür, daß entstehendes Schmelzwasser abläuft.

Hinweis: Der Heizkreis des Rinnenbeheizungssystems ist über dasselbe Reglersystem zu steuern wie die anderen Heizkreise.

Werkzeuge

- 2500 V Isolationswiderstandsmeßgerät (min. 500 V)

Montage des Anschlußkastens (10)

Die Montageposition des Anschlußkastens ist wie folgt zu wählen:

- in unmittelbarer Nähe der Ablaufrinne
- vorzugsweise im Inneren eines Gebäudes.

Montage der Verbindungsgarnitur (11)

GM-2XT Heizband im Anschlußkasten anschließen. Beachten Sie hierbei die der Anschlußgarnitur beiliegende Anleitung.

Verlegen des Heizbands (12)

Heizband zwischen Anschlußkasten und Ablaufrinne in einem Schutzrohr verlegen. Die Ablaufrinne muß in ihrer gesamten Länge beheizt werden, damit das Schmelzwasser jederzeit ungehindert abfließen kann.

Montage des Endabschlusses (13)

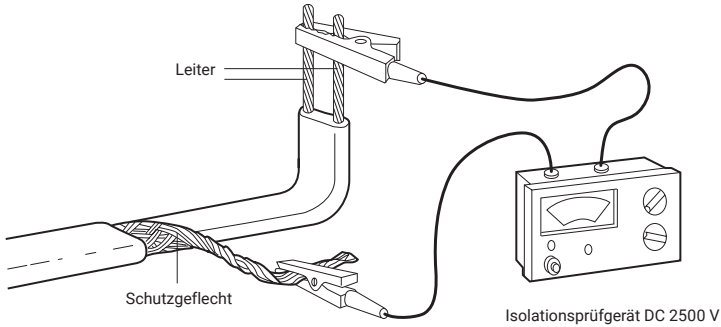
Den Endabschluß gemäß der der Garnitur beiliegenden Anleitung montieren.

Durchführung einer Isolationsprüfung

Bei der Isolationsprüfung wird festgestellt, ob das Heizband z.B. durch Schnitte oder Einstiche beschädigt wurde. Die Prüfung ist vorzugsweise mit einem Meßgerät auszuführen, das mit DC 2500 V arbeitet. Meßgeräte, die mit niedrigerer Spannung arbeiten, weisen eine geringere Empfindlichkeit auf und werden nicht empfohlen. Das Meßgerät muß mindestens eine Prüfspannung von DC 500 V haben.

Die Prüfung ist wie folgt auszuführen:

- Eine Leitung mit dem Schutzgeflecht des Heizbands verbinden.
- Die andere Leitung mit beiden Leitern des Heizbands verbinden.
- Spannung anlegen. Der angezeigte Widerstand muß größer als 100 MΩ sein.
- Liegt der Isolationswiderstand unter diesem Wert, ist das Heizband beschädigt. Soweit möglich, ist der Fehler zu lokalisieren und zu beheben. Der Isolationswiderstand ist auf dem Prüfprotokoll einzutragen.



Abschließende Arbeiten

Bringen Sie ein Gitter über der Ablaufrinne an, damit das Heizband vor Beschädigungen geschützt ist.

Hinweis: Für die Rinnenbeheizung ist ein 30 mA - Fehlerstromschutzschalter vorgeschrieben. Stellen Sie sicher, daß die Länge des an jeden 30 mA-Fehlerstromschutzschalter (FI) angeschlossenen Heizbands 60 m nicht übersteigt.

Abschließende Arbeiten

Abschließen der Fühlermontage

Gegebenenfalls Fühler montieren.

Montage des Schaltschranks

Schaltschränke gemäß Herstellerhinweisen montieren.

Montage Steuerungseinheit

Gemäß EN 60335-1:1994 PKT 7.2.12 muß mindestens ein Schaltgerät zur allpoligen Trennung von Netz eine Kontaktöffnung von mindestens 3 mm aufweisen.

Steuerungseinheit, Thermostate und Bedienungselemente gemäß Herstellerhinweisen montieren.

Abschließen der Leitung- und Systemarbeiten

VDE 0100 Teil 520 A3 sowie örtlich geltende Regeln beachten.

Betrieb

Erste Inbetriebnahme

Elektrische Bestimmungen

Alle elektrischen Prüfungen sind gemäß den örtlich geltenden Vorschriften auszuführen. Die Übereinstimmung zwischen der tatsächlichen und der in den Verlegeplänen angegebenen Leitungsverlegung ist zu überprüfen. Die Leistungswerte aller Schutzvorrichtungen sind zu kontrollieren.

Prüfung der Steuerungseinheit

Steuerungseinheit gemäß der mitgelieferten Anleitung prüfen.



EN

DE

FR

PL

CZ

RU

NL

SV

NO

FI

Isolationsprüfung

Um sicherzustellen, daß die Anschlußkabel und die Zuleitung nach der Montage nicht beschädigt wurden, ist eine abschließende Isolationsprüfung durchzuführen.

Allgemeiner Betrieb und Wartung

Das System kommt ohne bewegliche Teile aus und erfordert deshalb nur minimale Wartung. Die geltenden Wartungsbestimmungen für elektrische Einrichtungen sind einzuhalten.

Die Sicherungsautomaten sind in regelmäßigen Abständen auf ordnungsgemäße Funktion zu prüfen. Die Fehlerstromschutzschalter sind einmal jährlich zu prüfen.

Die Bedienelemente sind ebenfalls in regelmäßigen Abständen auf ordnungsgemäße Funktion zu prüfen. Max. Umgebungstemperatur für WinterGard-Matte ist 65°C (Für das Gießen von Asphalt sind kurzfristig 240°C zulässig). Dem Betreiber ist ein Verlegeplan durch den Errichter zu übergeben.

Fehlersuche

⚠️ WARNING: Vor Arbeiten am elektrischen System Stromversorgung unterbrechen!

Problem A: Überstromschutzschalter löst aus

Wahrscheinliche Ursachen

Abhilfe

Elektrischer Fehler bei

- Anschlußkabel
- beschädigtem Heizkabel

Fehler lokalisieren und Schutzvorrichtung zurücksetzen oder austauschen.

Sicherung zu schwach

Zu erwartende Strombelastung neu ermitteln und neue Sicherung installieren (Achtung: Sicherung muß auf Zuleitung abgestimmt werden!).

Sicherung defekt

Austauschen

Problem B: residual current device trips

Wahrscheinliche Ursachen

Abhilfe

Zu hohe Feuchtigkeit im Anschlußkasten

Trocknen lassen und Dichtung Perform an insulation resistance test.

Erdschluß bei

- Anschluß
- beschädigtem Heizkabel

Fehler lokalisieren und beheben oder Schutzschalter zurücksetzen oder austauschen.

Fehlerstrom zu hoch: Anschlußkabel oder Heizkabel zu lang.

Problem beheben und Auslegung ändern.

Leistungsschütz prellt

Durch Leistungsschütz besserer Qualität ersetzen.

Spannungsspitzen im Versorgungsnetz

Fehlerstromschutzschalter zurücksetzen. Hält der Zustand an, Stromversorgung verbessern.

Fehlerstromschutzschalter defekt

Austauschen

Problem C: Eis/Schnee schmilzt nicht

Wahrscheinliche Ursachen

Abhilfe

Fehlende Netzspannung durch ausgelösten Überstromschutz oder Fehlerstromschutzschalter.

Verfahren wie unter A und B beschrieben.

Aderbruch in der Zuleitung.

Fehler lokalisieren und beheben.

Steuerungseinheit ist falsch eingestellt oder arbeitet nicht ordnungsgemäß.

Steuerungseinheit reparieren oder richtig einstellen.

Leistungsschütz nicht ordnungsgemäß dimensioniert oder beschädigt.

Leistungsschütz austauschen.

Problem D: Eis/Schnee beginnt zu schmelzen, aber System schaltet zu früh aus

Wahrscheinliche Ursachen

Abhilfe

Steuerungseinheit ist falsch eingestellt oder arbeitet nicht ordnungsgemäß.

Steuerungseinheit reparieren oder richtig einstellen.

Généralités

IMPORTANT: Il est important de respecter scrupuleusement les instructions contenues dans ce manuel pour garantir le bon fonctionnement du système de traçage.

L'installation doit, en outre, être conforme aux normes et réglementations applicables aux équipements électriques.

⚠ AVERTISSEMENT: Veiller à installer correctement les trames chauffantes WinterGard tout en respectant le calcul et la conception des circuits électriques. Il est important de suivre les schémas, instructions d'installation et consignes d'utilisation, ainsi que d'effectuer les mesures et essais, pour garantir le bon fonctionnement de l'équipement et éviter le risque d'incendie et d'électrocution.

DOMAINE D'APPLICATION: Ce manuel décrit l'installation de la trame WinterGard dans une chape ou dans du sable pour une garantie de la durée de vie du produit.

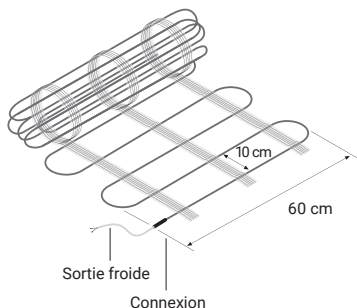
nVent fournit différents produits adaptés aux chapes en béton, à l'asphalte ou à d'autres applications.

Trame WinterGard (1)

La trame WinterGard est constituée d'un câble chauffant à puissance constante intégré dans une trame. Le système sera installé, de manière permanente, dans une chape, dans du sable sous des pavés, ou dans l'asphalte (petites installations, sans machinerie lourde).

Alimenté en 230 Vca, il sera piloté par une unité de commande (référence à commander séparément). Pré-terminé en usine, un câble chauffant d'une puissance de sortie de 300 W/m² ou 27 W/m pré-connecté à une liaison froide, le système WinterGard est prêt à poser. Les trames, d'une largeur de 0,6 m, sont disponibles en longueurs de 2 à 21 mètres. La liaison froide de 5 m de long doit être placée dans une gaine de protection.

L'écartement entre deux câbles chauffants est de 10 cm. Avec un écartement de 10 cm, la puissance de sortie est de 300 W/m².



Bande d'installation et d'écartement, boîte de raccordement (4) et câble d'alimentation électrique (9)

Dans les cas où il est nécessaire de détacher le câble chauffant de la trame, les bandes d'installation et d'écartement en plastique (VIA-Strips-PL) permettent de maintenir l'écartement prescrit (10 cm). Pour l'asphalte, il faut utiliser l'entretoise métallique.

Les sorties froides doivent être prolongées via une boîte de raccordement. Utiliser un câble d'alimentation approprié entre l'armoire électrique et la boîte de raccordement.

Pour une installation dans l'asphalte, les câbles des capteurs doivent être protégés par un conduit approprié (adapté à 240°C à court terme) ou être posés sous la couche d'asphalte dans la sous-couche. Le conduit est scellé à l'extrémité afin que l'asphalte ne puisse pas s'infiltrer. Veillez à ce que les raccords du câble chauffant et du câble d'alimentation froide (joint d'épissure) soient complètement enveloppés par l'asphalte (Ø30) (laissez l'asphalte refroidir à une température d'environ 100°C avant de le verser sur le joint d'épissure et le joint d'extrémité) et sans poches d'air. Ce travail doit être effectué avant de procéder au coulage de l'asphalte sur toute la surface.

Unité de commande (8)

nVent propose des régulateurs spécialement conçus pour le traçage de rampes d'accès. Ils intègrent des sondes de température et d'humidité garantissant l'efficacité du système.

Armoires électriques (7)

nVent propose des armoires électriques standard spécialement conçues pour le traçage de rampes d'accès. Chaque armoire intègre une unité de commande, des interrupteurs différentiels et un disjoncteur différentiel (RCD).

Accessoires

Gaine de protection (5, 6)

Une gaine de protection (non fournie) est nécessaire pour protéger :

- la liaison froide
- le câble de sonde



Equipement d'alimentation électrique

Lorsque le système de traçage n'est pas alimenté par une armoire électrique standard nVent, l'armoire doit être complétée avec les éléments suivants :

- contacteurs
- interrupteurs différentiels
- disjoncteur différentiel 30 mA

FR

PL

Conditions d'entreposage

- La température minimale d'installation est de -5°C
- Température d'entreposage : -40°C à $+45^{\circ}\text{C}$
- Entreposer les trames chauffantes dans un endroit propre et sec.

CZ

RU

NL

Equipement de mesures

- Testeur de résistance d'isolement 2500 Vcc (min. 500 Vcc)
- Ohmmètre

SV

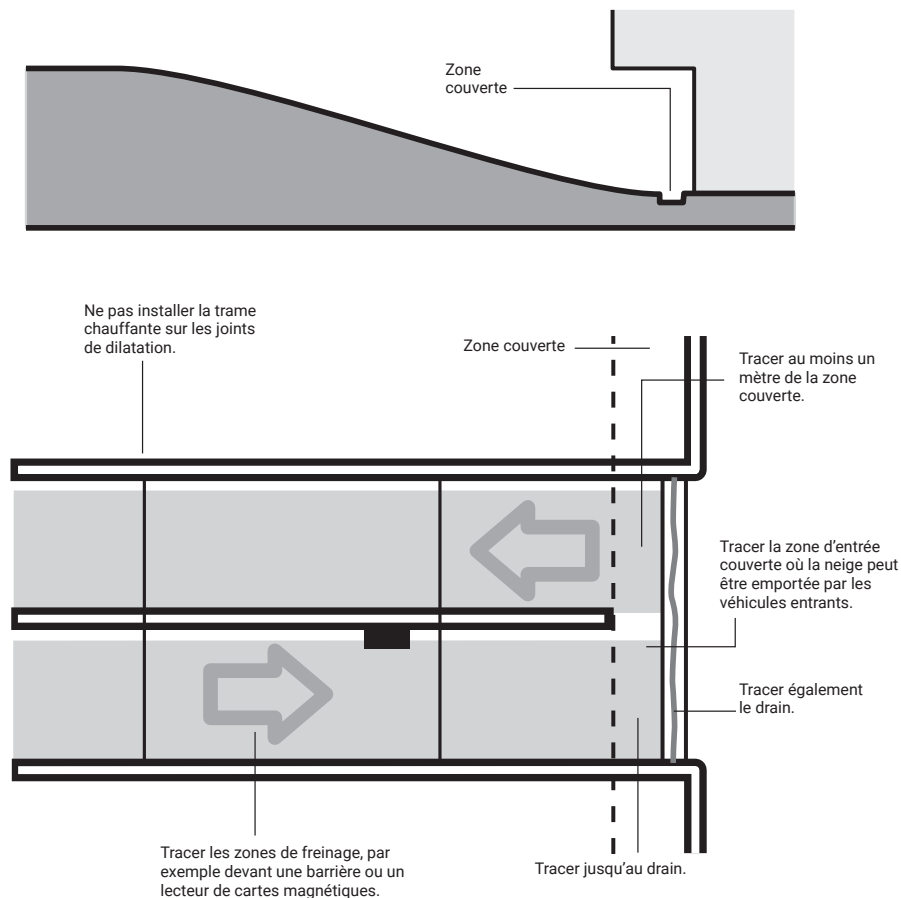
NO

Configuration

FI

Zone à tracer

Définir la zone exacte à tracer (par exemple les bandes de roulement). Prendre en considération les facteurs suivants:



S'assurer avant tout que la zone à tracer est conforme aux données de l'étude. Définir l'emplacement des boîtes de raccordement et vérifier que les liaisons froides sont suffisamment longues.

Nettoyer minutieusement le support avant de poser la trame chauffante. Eliminer les les objets tranchants.

Ne pas raccourcir ni prolonger la trame WinterGard.

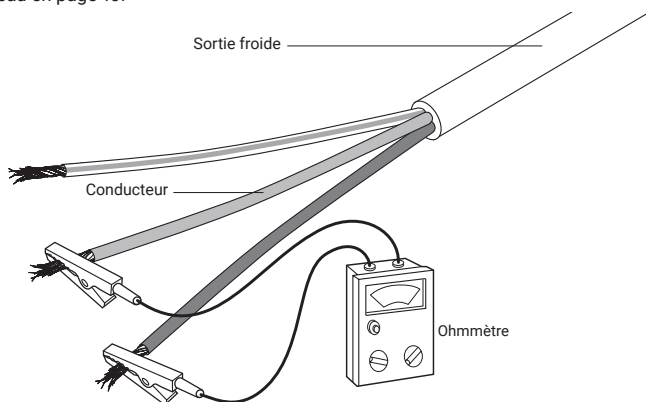
Préparation de la surface

Dans les rampes d'accès suspendues, le support peut être en dalles, béton précontraint ou béton coulé.

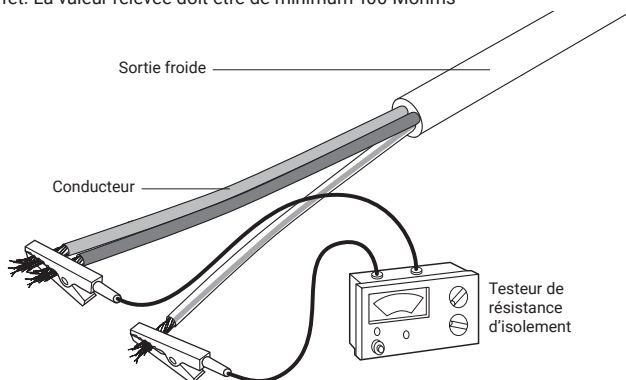
La trame chauffante se pose sur tous types de surfaces. Dans le cas de béton coulé, la surface doit être lisse et dépourvue d'objets tranchants. Les rampes posées sur des substrats massifs ne nécessitent pas d'isolation thermique supplémentaire. Veiller à préparer soigneusement l'installation des sondes de température et d'humidité.

Mesures de résistance et de résistance d'isolement

Les essais de la trame chauffante comprennent la mesure de résistance du conducteur (entre le phase et le neutre), ainsi que la mesure de résistance d'isolement (entre phase/neutre et la terre). Voir le tableau en page 10.



La résistance d'isolement se mesure à l'aide d'un testeur 2500 V cc (minimum 500 V cc) conçu à cet effet. La valeur relevée doit être de minimum 100 Mohms



Les valeurs mesurées doivent être consignées dans le Procès-verbal de contrôle de l'installation.



Pose de la trame chauffante

Les raccordements et tests électriques doivent être effectués par un électricien agréé.

EN

Les trames chauffantes sont utilisées pour le traçage des rampes d'accès et entrées de garage.

DE

Pour les surfaces aux contours irréguliers, couper uniquement la trame (ne pas couper le câble chauffant) pour couvrir la totalité de la zone.

FR

- Le câble chauffant doit être séparé des autres sources de chaleur telles que les luminaires et les cheminées.
- Laissez sécher suffisamment le béton/asphalte après l'installation du système de chauffage et avant de le mettre sous tension.
- Ne modifiez en aucun cas la longueur du câble chauffant / de la trame
- Ne jamais fournir une alimentation électrique sous forme de bobine de câble ou de rouleau de tapis.
- Ne pas utiliser une force excessive pour tirer sur les câbles froids, sinon cela pourrait endommager la jonction chaud-froid.

PL

CZ

RU

NL

SV

NO

FI

Le câble chauffant de la trame ne peut pas:

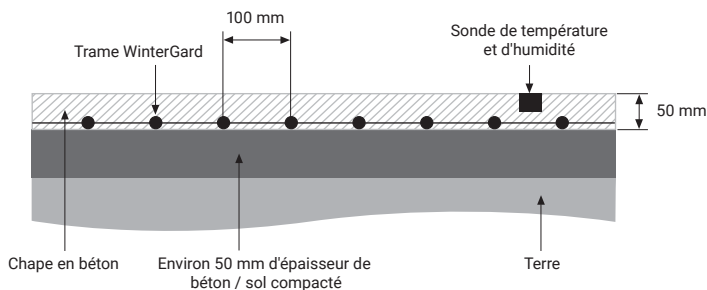
- être coupé ou endommagé,
- être superposé,
- être installé à moins de 10 cm d'un autre câble chauffant,
- être installé sur des joints de dilatation ou traverser les joints des différentes dalles en béton.

L'écartement minimum entre deux câbles chauffants est de 10 cm

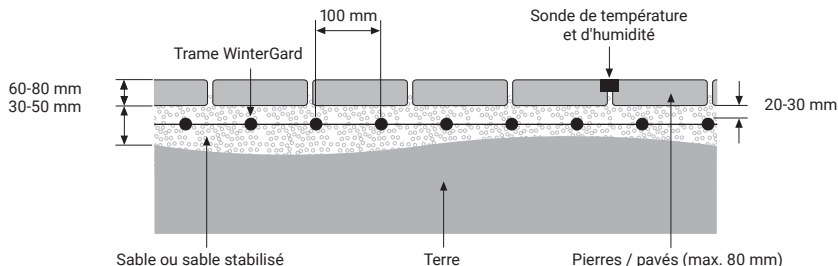
Fixer les trames chauffantes sur le support pour éviter qu'elles ne bougent pendant l'installation.

Protéger la sortie froide par une gaine de protection. Recouvrir le câble chauffant sur toute sa longueur de sable stabilisé, d'une chape, de sable sec ou l'asphalte, selon le revêtement de surface choisi.

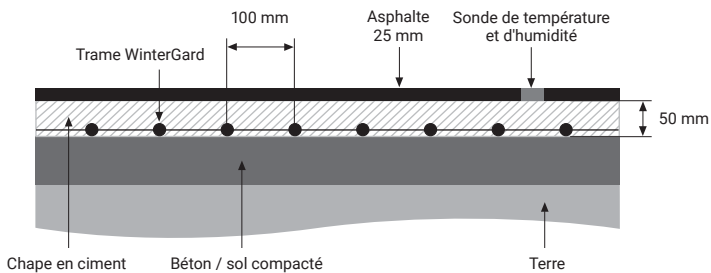
Installation de la trame chauffante dans une chape en béton / ciment / asphalte



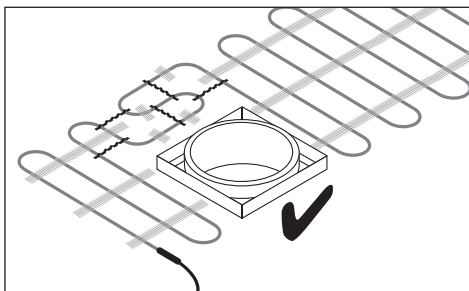
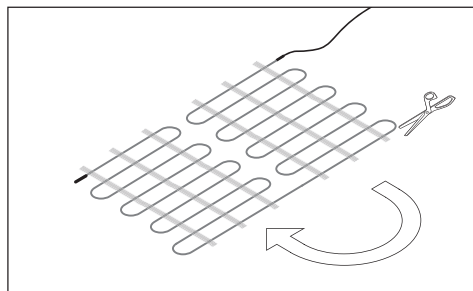
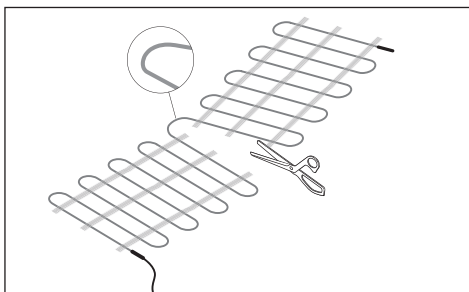
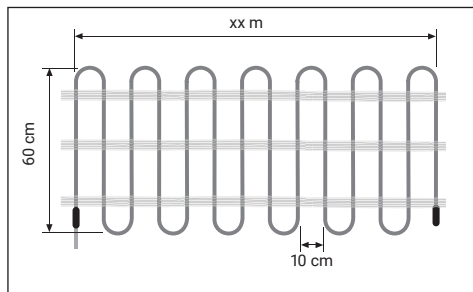
Installation de la trame chauffante sur une rampe d'accès avec un revêtement de pierres ou pavés



Installation de la trame chauffante dans une chape en béton ou ciment avec un revêtement en asphalte



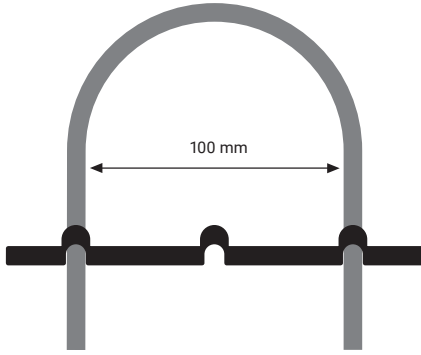
Lorsqu'il est nécessaire de détacher le câble de la trame, utiliser les bandes d'installation et d'écartement en plastique pour maintenir l'écartement prescrit.



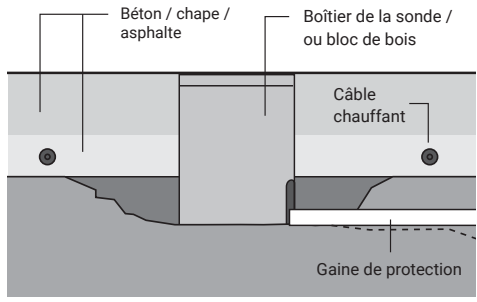
- EN
- DE
- FR**
- PL
- CZ
- RU
- NL
- SV
- NO
- FI

Utiliser les bandes d'installation et d'écartement pour le câble chauffant détaché de la trame

Respecter l'écartement recommandé



Câble chauffant
Bande d'installation et d'écartement
(en plastique pré-embouti, pour l'asphalte VIA-Spacer métallique)



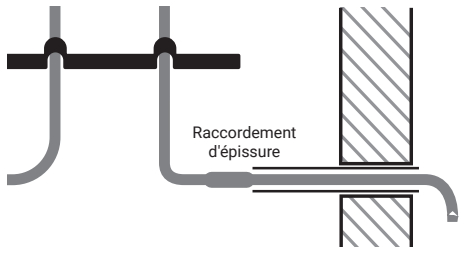
- Le câble de la sonde doit être installé sous la couche contenant la trame chauffante.

Pose du conduit de la sortie froide

Disposer le conduit de la sortie froide de manière à ce que la connexion entre le câble chauffant et la sortie froide soit totalement noyée dans la chape.

Installer la sortie froide de manière appropriée pour la protéger des risques d'ordre mécanique.

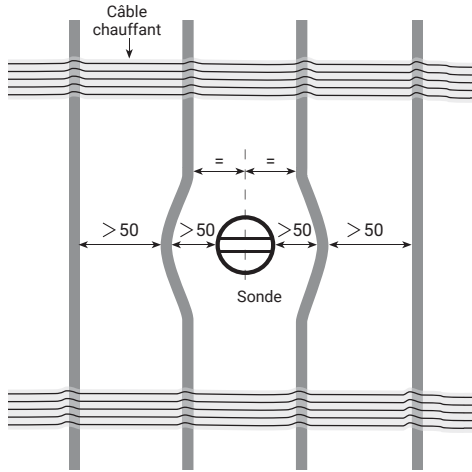
Dans le cas d'une installation en asphalte, les câbles froids doivent être protégés par un conduit approprié (adapté à 240°C à court terme) et ses extrémités doivent être scellées afin que l'asphalte ne s'infilte pas. Faites passer le câble froid du circuit par le conduit dans la boîte de jonction.



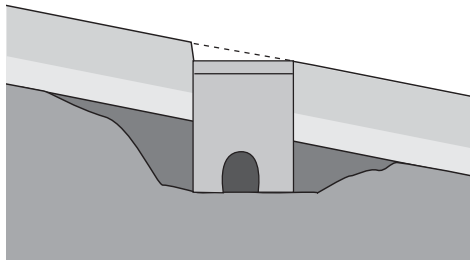
Installation de la sonde de température et d'humidité (3)

Installer la sonde de température et d'humidité conformément aux instructions fournies par le fabricant. Veiller à l'installer à la bonne hauteur. Pour les sondes composées d'un boîtier séparé, installer uniquement le boîtier dans un premier temps.

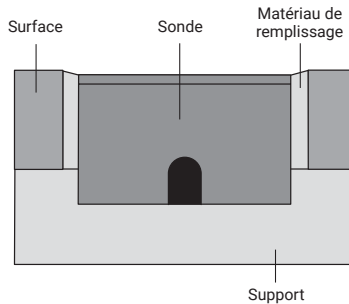
- Installer la sonde à distance égale entre deux passages du câble chauffant.
- Avant et pendant le coulage du béton/asphalte, un petit morceau de bloc de bois doit être installé comme "substitut" pour le capteur.



- Protéger la sortie froide par une gaine de protection métallique (6).
- Installer la sonde verticalement, même sur les surface inclinées.



Sonde





EN

DE

FR

PL

CZ

RU

NL

SV

NO

FI

Vérification de l'installation

Vérification de la trame chauffante

- Vérifier l'état de la trame par une inspection visuelle.
- Vérifier que les longueurs de câble chauffant détachées de la trame sont fixées par des bandes d'installation et d'écartement.
- Vérifier que l'écartement est respecté partout et que la trame n'est pas posée sur des joints de dilatation, des bords tranchants, etc.
- Vérifier que la trame est installée à la bonne profondeur.
- Vérifier visuellement les connexions.

Dessiner un plan de l'installation

Noter l'emplacement de chaque circuit, et plus particulièrement des connexions.

Procéder aux mesures de résistance

Procéder aux mesures de résistance sur chaque circuit pour vérifier que le câble n'a pas été endommagé pendant ou après l'installation.

La résistance d'isolement doit être supérieure à 100 MΩ. Consigner les valeurs mesurées pour chaque circuit dans le Procès-verbal de contrôle de l'installation.

Pose du revêtement de surface

Vérifications

Vérifier les points suivants avant de poser le revêtement de surface:

- Contrôler si le câble chauffant est intact.
- Vérifier l'écartement entre les passages du câble chauffant et la profondeur d'ensevelissement.

Mesures de résistance

Procéder aux mesures de résistance de tous les circuits de traçage juste après la pose du revêtement de surface afin de vérifier que le câble n'a pas été endommagé par cette phase des travaux. Consigner les valeurs de résistance mesurées pour chaque circuit dans le Procès-verbal de contrôle de l'installation.

Avant de commencer l'installation du revêtement de surface, demander à l'équipe de chantier de vérifier les mesures de résistance, de noter les résultats et de signer le Procès-verbal de contrôle de l'installation.

Revêtement de surface

Une fois le revêtement de surface posé, procéder aux mesures de résistance et consigner les valeurs dans le Procès-verbal de contrôle de l'installation.

Système de traçage de drains avec le ruban chauffant autorégulant GM-2XT

Application

Le système de traçage des drains garantit l'évacuation des eaux de fonte.

Remarque : Le ruban chauffant de traçage de drain est piloté par la même unité de commande que les autres circuits de traçage.

Installation de la boîte de raccordement (10)

Choisir un emplacement:

- proche du drain
- à l'intérieur, si possible.

Installation du kit de connexion (11)

Connecter le ruban chauffant GM-2XT dans la boîte de raccordement conformément aux instructions fournies avec le kit de connexion.

Installation du ruban chauffant (12)

Placer le ruban chauffant dans une gaine de protection entre la boîte de raccordement et le début du drain.

Tracer toute la longueur du drain pour garantir l'évacuation des eaux de fonte.

Terminaison (13)

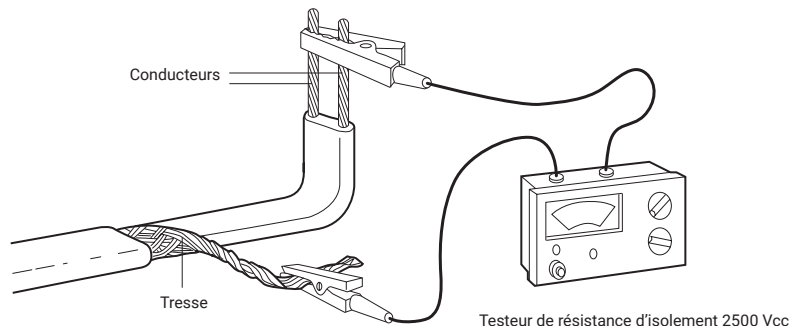
Installer la terminaison conformément aux instructions fournies avec le kit.

Contrôler la résistance d'isolement

Les essais de résistance d'isolement permettent de détecter des éventuels dommages causés au ruban chauffant (coupures et perforations). Ils s'effectuent à l'aide d'un testeur de résistance d'isolement 2500 Vcc. Les testeurs d'une tension inférieure sont déconseillés parce que moins sensibles. Ne pas utiliser un testeur dont la tension d'essai est inférieure à 500 V cc.

Procéder comme suit:

- Connecter une des pinces du testeur à la tresse métallique de mise à la terre du ruban chauffant.
- Connecter l'autre pince du testeur aux deux conducteurs du ruban chauffant.
- Mettre sous tension. La valeur de la mesure de résistance doit être supérieure à 100 MΩ.
- Si cette valeur est inférieure, le ruban chauffant est endommagé. Dans ce cas, détecter la cause et procéder à la réparation. Consigner les valeurs de résistance d'isolement dans le Procès-verbal de contrôle de l'installation.



Finitions

Poser une grille sur le drain pour protéger le ruban chauffant.

Remarque: Prévoir obligatoirement un disjoncteur différentiel de 30 mA pour le circuit de traçage du drain. Vérifier que la longueur de ruban chauffant connectée à un disjoncteur différentiel 30 mA ne dépasse pas 60 m.

Finitions

Sonde

Terminer l'installation de la sonde (si applicable).

Installation de l'armoire électrique et l'unité de commande

Installer l'armoire électrique conformément aux instructions du fabricant.

Installer l'unité de commande, autres régulateurs/thermostats ou un éventuel équipement de contrôle manuel conformément aux instructions des fabricants.

L'ensemble de l'équipement électrique

Respecter les normes et réglementations en vigueur.

Utilisation

Mise en route

Électricité

Procéder aux tests électriques conformément aux normes et pratiques en vigueur. Vérifier que le câblage est conforme au schéma. Vérifier le calibre des dispositifs de protection.

Vérification de l'unité de commande

Vérifier l'unité de commande conformément aux instructions fournies avec l'équipement.

Essais de résistance

Procéder à l'essai final de résistance pour vérifier que les connexions et le câble d'alimentation n'ont pas été endommagés pendant l'installation.



EN

DE

FR

PL

CZ

RU

NL

SV

NO

FI

Utilisation et maintenance

Les systèmes, dépourvus de pièces mobiles, requièrent un minimum de maintenance. Respecter les normes et réglementations en vigueur pour les équipements électriques.

Vérifier régulièrement les interrupteurs différentiels. Tester les disjoncteurs différentiels au moins une fois par an.

Inspecter régulièrement les dispositifs de régulation.

Actionner les commandes pour vérifier leur fonctionnement.

Température maximale d'exposition de la trame chauffante: 65°C (Pour la coulée d'asphalte, une température à court terme de 240°C est autorisée). Il incombe à l'installateur de fournir un schéma technique à l'utilisateur/le propriétaire.

Guide de dépannage

⚠ ATTENTION : Avant toute intervention, le système doit être mis hors tension

Problème A: L'interrupteur/disjoncteur de protection contre la surintensité déclenche ou grille

Causes éventuelles

Problème électrique:

- Câble de sortie froide endommagé
- Câble chauffant endommagé

Actions correctives

Détecter la cause et procéder à la réparation. Rétablir ou remplacer la protection.

Disjoncteur de calibre trop faible

Vérifier l'intensité de service prévue et adapter le calibre des disjoncteurs en conséquence (vérifier leur compatibilité avec le câble d'alimentation).

Disjoncteur défectueux

Remplacer le disjoncteur

Problème B: Le disjoncteur différentiel déclenche

Causes éventuelles

Excès d'humidité dans la boîte de raccordement

Éliminer l'humidité et vérifier l'étanchéité. Remplacer le boîtier, si nécessaire. Contrôler la résistance d'isolement.

Problème de mise à la terre:

- Au niveau du raccordement
- Câble chauffant endommagé

Détecter la cause et procéder à la réparation. Rétablir ou remplacer le disjoncteur différentiel.

Courant de fuite trop élevé :

Câble d'alimentation ou câble chauffant trop long

Corriger le problème en modifiant le circuit électrique.

Rebondissement du contacteur

Remplacer par un contacteur de meilleure qualité

Pics de tension dans le réseau électrique

Réinitialiser le différentiel. Si le problème persiste, utiliser un type d'alimentation stable.

Disjoncteur différentiel défectueux

Remplacer le disjoncteur différentiel

Problème C: La neige ou la glace ne fond pas

Causes éventuelles

Coupure de l'alimentation suite à un déclenchement d'un disjoncteur ou du différentiel.

Voir les procédures A et B ci-dessus.

Câble d'alimentation non alimenté

Détecter la cause et procéder à la réparation.

Problème de paramétrage ou de fonctionnement de l'unité de commande

Rectifier les paramètres de fonctionnement ou faire réparer l'unité de commande.

Contacteur mal calibré ou endommagé

Remplacer le contacteur.

Problème D: L'eau ou la glace commence à fondre, mais le système s'arrête trop tôt

Causes éventuelles

Problème de paramétrage ou de fonctionnement de l'unité de commande

Actions correctives

Rectifier les paramètres de fonctionnement ou faire réparer l'unité de commande.

Informacje ogólne

Ważne! W celu zapewnienia bezawaryjnego funkcjonowania systemu grzewczego należy postępować dokładnie według wskazówek znajdujących się w niniejszej instrukcji.

Montaż systemu musi przebiegać zgodnie z obowiązującymi na danym terenie wytycznymi w zakresie elektrycznych systemów grzewczych.

⚠ OSTRZEŻENIE! Maty grzewcze nVent RAYCHEM WinterGard mat są częścią instalacji elektrycznej, która musi być poprawnie zaprojektowana i zamontowana.

W celu zapewnienia właściwej pracy systemu oraz aby uniknąć ryzyka porażenia prądem lub spowodowania pożaru należy przestrzegać wszystkich wskazówek dotyczących projektowania, montażu, pomiarów i obsługi systemu.

ZAWARTOŚĆ INSTRUKCJI: W niniejszej instrukcji opisano procedurę montażu mat WinterGard mat w wylewce i piasku, która zapewnia stabilność konstrukcji w długim okresie. Firma nVent posiada w swojej ofercie również produkty przystosowane do układania w asfalcie oraz przeznaczone do innych zastosowań.

System grzewczy WinterGard mat (1)

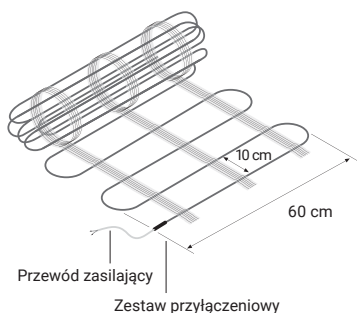
Maty grzewcze WinterGard marki nVent RAYCHEM to urządzenie o stałej mocy do trwałego montażu w betonie, w wylewce lub w piasku pod płytami chodnikowymi lub kostką brukową, lub w asfalcie.

Jest to system zasilany napięciem zmiennym 230 V, którego pracę kontroluje sterownik. (Sterownik oferowany jest oddzielnie.)

Maty WinterGard marki nVent RAYCHEM to gotowa do podłączenia i montażu maty grzewcze, jednostronnie zasilana, o mocy 300 W/m² lub 27 W/m przewodu grzejnego.

Wszystkie maty mają szerokość 0,6 m i dostępne są w odcinkach o długości od 2 m do 21 m. Zestaw zawiera również podłączony fabrycznie zimny przewód o długości 5 m, który należy prowadzić w rurce izolacyjnej.

Odstęp między przewodami wynosi 10 cm. Przy zachowaniu odstępów 10 cm, moc grzewcza wynosi 300 W/m².



Taśma dystansowa, puszka przyłączeniowa i przewód zasilający (4), (9)

Gdy zachodzi potrzeba wyjęcia przewodu grzejnego z maty, pomocne będą plastikowe paski (VIA-Strips-PL), które pozwalają zachować prawidłowy rozstaw (100 mm) między przewodami. W przypadku asfaltu należy zastosować metalową przekładkę.

Przedłużenie przewodu zimnego należy wykonać poprzez puszkę przyłączeniową. Połączenie rozdzielnic i puszek przyłączeniowych należy wykonać przewodem o odpowiednim przekroju poprzecznym żył zasilających.

W przypadku instalacji w asfalcie kable czujników muszą być zabezpieczone odpowiednią rurą przepustową (przystosowaną do 240°C w krótkim czasie) lub ułożone pod warstwą asfaltu w podłożu pod nią. Rura przepustowa jest uszczelniona na końcu, aby asfalt nie mógł wnikać do środka.

Należy upewnić się, że połączenia kabla grzewczego i kabla zimnego (złącze) są całkowicie pokryte asfaltem (Ø30) (przed wylaniem asfaltu na złączkę i uszczelkę końcową należy ostudzić go do temperatury ok. 100°C) i nie ma tam kieszeni powietrznych. Prace te należy wykonać przed rozpoczęciem wylewania asfaltu na całą powierzchnię.

Sterownik (8)

nVent RAYCHEM posiada w swojej ofercie sterowniki przeznaczone specjalnie dla aplikacji ochrony przed oblodzeniem i zaleganiem śniegu na rampach i podjazdach.

Sterowniki te posiadają zintegrowany czujnik wilgotności i temperatury zapewniający efektywną pracę systemu.

Rozdzielnica sterująca (7)

Standardowo, nVent oferuje gamę paneli sterowania, które zostały zaprojektowane jako część systemu ochrony przed oblodzeniem. Każdy panel zawiera wbudowany sterownik oraz wyłączniki nadmiarowe i różnicowoprądowe (RCD).



Dodatkowe komponenty

Rurka ochronna

Rurka ochronna (nie wchodzi w skład zestawu) służy zabezpieczeniu:

- przewodu zasilającego
- przewodu przyłączeniowego czujnika

Elektryczne elementy systemu

W przypadku rezygnacji ze standardowych rozdzielnic nVent RAYCHEM należy koniecznie zapewnić następujące elementy dla właściwej pracy systemu:

- styczniki
- wyłączniki nadmiarowe
- wyłączniki różnicowo-prądowe 30 mA

Składowanie mat

- Minimalna temperatura instalacji wynosi -5°C
- Zakres dopuszczalnych temperatur przechowywania systemu: od -40°C do $+45^{\circ}\text{C}$
- Wszystkie części systemu składować w czystym i suchym miejscu

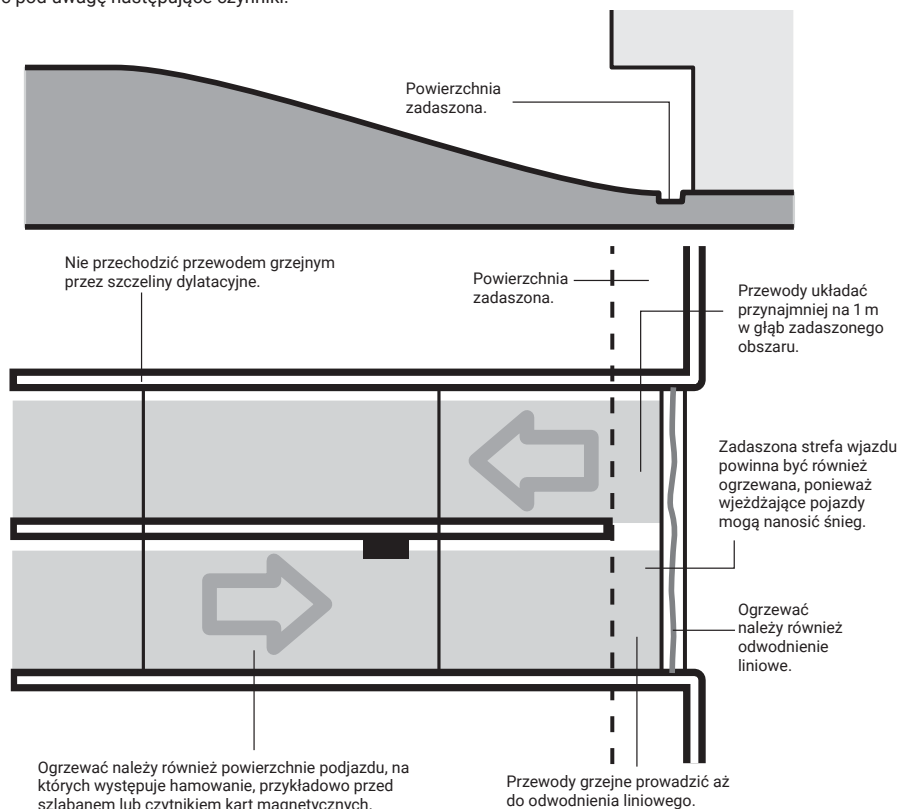
Mierniki

- miernik rezystancji izolacji 2500 Vdc (min. 500 Vdc)
- omomierz

Wskazówki dotyczące montażu

Ogrzewana powierzchnia

Dokładnie określić powierzchnię, która wymaga ogrzewania, np. powierzchnie pod śladami kół. Wziąć pod uwagę następujące czynniki:



Najpierw należy się upewnić, że powierzchnia, która ma być ogrzewana, odpowiada danym zawartym w instrukcji projektowania. Ustalić, gdzie mają być zainstalowane puszkki przyłączeniowe i sprawdzić, czy przewody przyłączeniowe są wystarczająco długie.

Długość wynosi 5 m. Przed rozpoczęciem montażu maty grzewczej dokładnie oczyścić podłoże, ponieważ ostre przedmioty mogą uszkodzić kabel grzewczy.

Maty grzewczej WinterGard-Mat nie wolno skracać, ani przedłużać.

Przygotowanie podłoża

Matę grzewczą należy montować na utwardzonym podłożu. W przypadku elementów wiszących, podłoże może składać się z gotowych płyt, sprężonego betonu lub konstrukcji wiszących wylewanych z betonu.

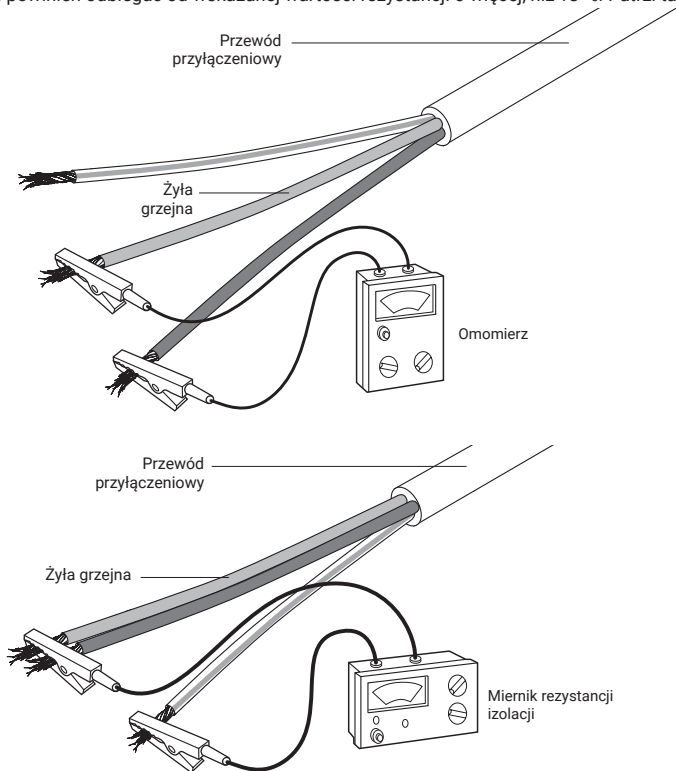
Matę grzewczą można układać na każdym podłożu. W przypadku wylewanego betonu należy się upewnić, że jego powierzchnia jest gładka, a wszystkie ostre elementy zostały usunięte. Jezdnie na stałym podłożu nie wymagają dodatkowej izolacji termicznej.

Należy przygotować i zaplanować montaż czujnika temperatury i wilgotności.

Przed przystąpieniem do montażu

Po pierwsze, należy dokładnie określić powierzchnię przeznaczoną do ogrzania i oznaczyć miejsca montażu puszek przyłączeniowych. Należy również sprawdzić, czy przewód przyłączeniowy jest wystarczająco długi. Długość przewodu przyłączeniowego wynosi 5 m. Przed rozpoczęciem robót instalacyjnych należy dokładnie oczyścić podłoże. Wszelkie ostre krawędzie mogą uszkodzić przewody grzewcze.

Przed montażem, za pomocą omomierza, należy dokonać pomiaru rezystancji żyły grzewczej oraz rezystancji izolacji na elastycznym odcinku przewodu przyłączeniowego. Wynik pomiaru rezystancji przewodu zmierzony przed montażem nie powinien odbiegać od wskazanej wartości rezystancji o więcej, niż 10 %. Patrz: tabela na str. 10.



Rezystancję izolacji należy mierzyć za pomocą miernika rezystancji izolacji 2500 V (min. 500 V).

Wynik powinien wynosić $\geq 100 \text{ M}\Omega$. Wszystkie wyniki pomiarów zanotuj w załączonym protokole pomiarowym.



Montaż maty grzewczej.

Wykonanie wszystkich podłączeń i sprawdzenie instalacji elektrycznej należy zlecić elektrykowi posiadającemu odpowiednie kwalifikacje.

Maty grzewcze służą do ogrzewania ramp i podjazdów oraz usuwania śniegu i lodu z większych powierzchni terenu. W przypadku obszarów o nieregularnych kształtach matę (ale nie przewód grzejny) można przyciąć, aby pokryć całą powierzchnię.

- Mata grzejna powinna być oddzielona od innych źródeł ciepła, takich jak oprawy i kominy.
- Należy pozostawić wystarczający czas na wyschnięcie lub utwardzenie betonu/asfaltu po zainstalowaniu instalacji grzewczej i przed włączeniem instalacji grzewczej.
- Nie wolno w żadnym wypadku zmieniać długości kabla /maty grzejnego
- Nigdy nie doprowadzać zasilania w postaci kabla w szpuli i maty w rolce.
- Nie należy używać nadmiernej siły do wyciągania przewodów zimnych, gdyż może to spowodować uszkodzenie złącza ciepło-zimno

Przewodów grzejnych wewnątrz maty nie wolno jednak:

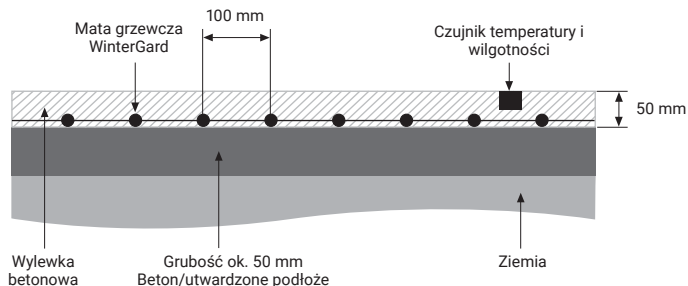
- przecinać ani uszkadzać,
- krzyżować,
- prowadzić w odległości mniejszej niż 100 mm od siebie lub innej maty grzewczej,
- prowadzić przez dylatacje lub oddzielne płyty betonowe.

Minimalny odstęp między przewodami wynosi 100 mm.

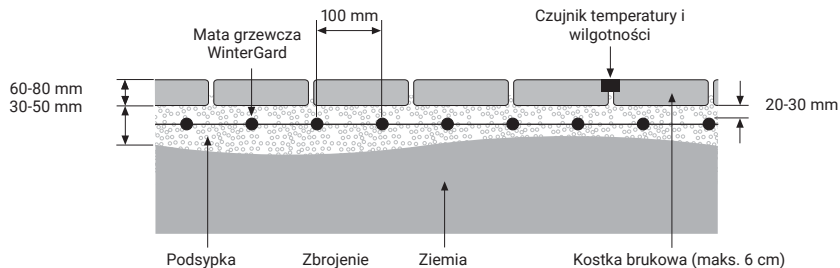
Maty grzewcze należy mocować do podłoża, aby nie przesuwały się podczas montażu.

Przewód zasilający należy prowadzić w rurce ochronnej. Przewody grzejne na całej długości powinny być przykryte mokrą zaprawą cementową z piaskiem, wylewką, suchym piaskiem lub asfaltem, w zależności od wybranego rodzaju warstwy wierzchniej.

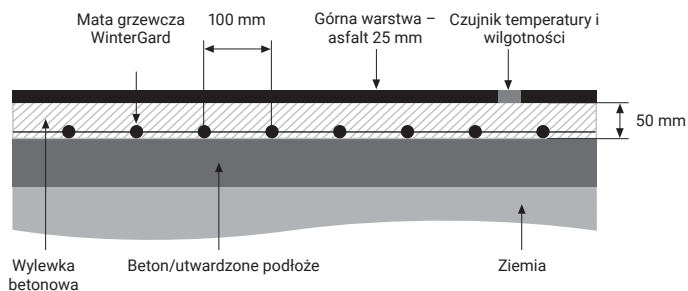
Mata grzewcza układana w betonie/wylewce betonowej/asfalcie



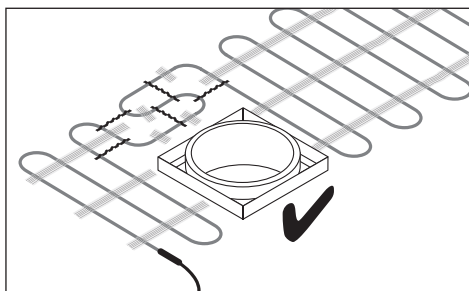
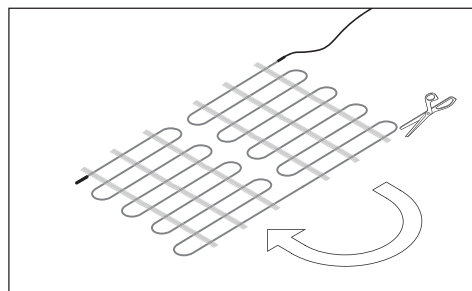
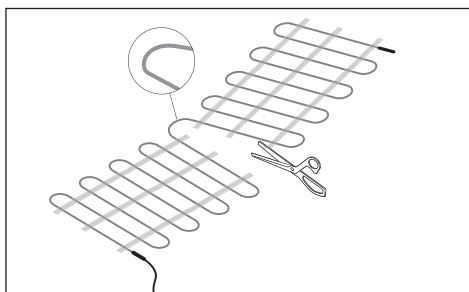
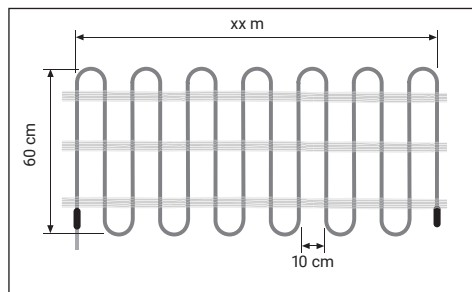
Mata grzewcza układana w podsypce pod kostką brukową lub kamienną



Mata grzewcza układana w betonie/wylewce betonowej Górna warstwa – asfalt



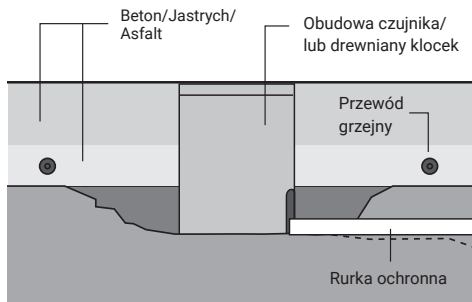
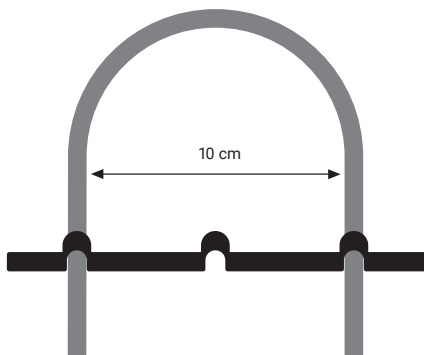
Jeżeli znajdzie konieczność wyjęcia przewodu grzejnego z maty, np. w celu ominięcia przeszkody, to instalator powinien skorzystać z siatki z tworzywa sztucznego w celu utrzymania równomiernych odstępów między przewodami.



- EN
- DE
- FR
- PL**
- CZ
- RU
- NL
- SV
- NO
- FI

Mocowanie przewodów grzejnych do podłoża z wykorzystaniem taśmy rozstawczej

Odstępy między przewodami, tak jak podano



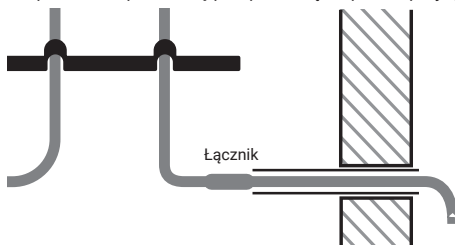
- Przewód przyłączeniowy czujnika należy pokryć nawierzchnią asfaltową.

Montaż rurki ochronnej dla zimnego przewodu

Połączenie przewodu zimnego z przewodem grzejnym musi znajdować się całkowicie w płycie betonowej.

Aby zapewnić ochronę mechaniczną dla przewodu zimnego należy umieścić go w odpowiedniej rurce ochronnej.

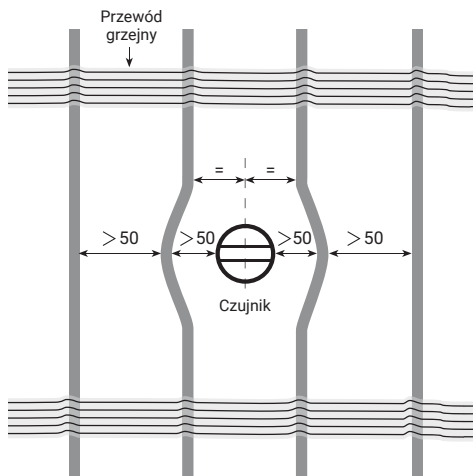
W przypadku instalacji asfaltowej przewody zimne powinny być zabezpieczone odpowiednią rurą przepustową (przystosowaną do temperatury 240°C w krótkim czasie), a jej końce uszczelnione tak, aby asfalt nie przedostawał się do środka. Zimną żyłę kabla wprowadzić przez rurę przepustową do puszkii przyłączeniowej.



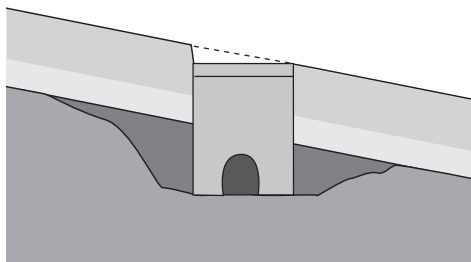
Montaż czujnika temperatury i wilgotności (3)

Czujnik temperatury i wilgotności należy zamontować zgodnie z podaną instrukcją. Należy zwrócić uwagę na to, by czujnik został zamontowany na odpowiedniej wysokości. Jeżeli obudowa czujnika jest demontowalna, najpierw należy zainstalować samą obudowę.

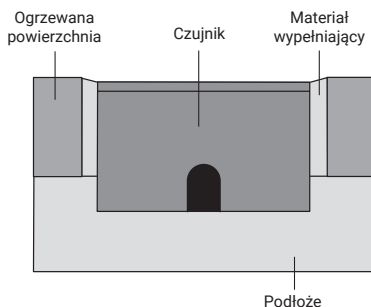
- Czujnik należy zamontować pośrodku pętli przewodu grzejnego.
- Przed i podczas wylewania betonu/asfaltu należy zamontować mały kawałek drewnianego klocka jako "uchwyt" dla czujnika.



- Przewód przyłączeniowy czujnika należy chronić za pomocą metalowej rurki ochronnej.
- Nawet, jeśli ogrzewana powierzchnia jest pochyła, czujnik należy zamontować w pozycji pionowej.



Czujnik





EN

DE

FR

PL

CZ

RU

NL

SV

NO

FI

Kontrola zamontowanego systemu

Kontrola zestawów grzejnych

- Obejrzeć przewód szukając widocznych uszkodzeń mechanicznych.
- Upewnić się, że przewód został przymocowany do listew dystansowych.
- Upewnić się, że została zachowana odpowiednia odległość między przewodami oraz, że przewód nie krzyżuje się z dylatacjami i nie ma styczności z ostrymi krawędziami.
- Zmierzyć, czy przewód został położony na odpowiedniej głębokości.
- Ponownie sprawdzić, czy przewody przyłączeniowe zostały zamocowane zgodnie ze wskazówkami w instrukcji.

Sporządzenie planu rozłożenia instalacji

Należy sporządzić plan rozłożenia poszczególnych obwodów grzewczych, w szczególności zaś dokładne położenie przewodów przyłączeniowych.

Przeprowadzenie pomiaru rezystancji izolacji

Aby stwierdzić ewentualne uszkodzenia izolacji zaistniałe w trakcie lub po zakończeniu montażu, należy przeprowadzić pomiar rezystancji izolacji dla każdego obwodu grzejnego. Wynik pomiaru rezystancji izolacji powinien wynosić min. 100 MΩ. Wszystkie wyniki pomiarów należy zanotować w protokole pomiarowym.

Układanie warstwy wierzchniej

Przygotowanie

Przed położeniem nawierzchni należy przeprowadzić następujące czynności:

- Należy sprawdzić przewód grzejny w celu wykrycia oznak uszkodzeń mechanicznych.
- Upewnić się, że przewody grzejne zostały położone w odpowiedniej odległości od siebie i na odpowiedniej głębokości.

Sprawdzenie rezystancji izolacji

Bezpośrednio przed położeniem nawierzchni zaleca się sprawdzenie izolacji dla każdego obwodu grzewczego w celu wykrycia ewentualnych uszkodzeń zaistniałych po ukończeniu montażu. Wynik pomiaru rezystancji izolacji należy nanieść na protokół pomiarowy. Osoby odpowiedzialne za prace nawierzchniowe powinny na początku prac zweryfikować pomiar rezystancji, zapisać wyniki i podpisać kontrolny protokół instalacyjny.

Pomiar rezystancji żyły grzejnej i rezystancji izolacji.

Po zakończeniu prac nawierzchniowych

Po zakończeniu prac nawierzchniowych należy przeprowadzić pomiar kontrolny rezystancji izolacji, a wyniki nanieść na protokół instalacyjny.

Ogrzewanie odwodnienia liniowego samoregulującym przewodem grzejnym GM-2XT

Zastosowanie

System grzejny odwodnienia liniowego umożliwia odprowadzanie wód opadowych.

Wskazówka: obwód grzejny kanału odwodnienia liniowego powinien być sterowany za pomocą tego samego regulatora, co pozostałe obwody grzewcze.

Narzędzia

- miernik rezystancji izolacji 2500 V (min. 500 V)

Montaż puszki przyłączeniowej (10)

Wybór miejsca montażu puszki jest następujący:

- w pobliżu odwodnienia liniowego.
- wewnątrz budynku, jeśli to możliwe.

Montaż zestawu przyłączeniowego (11)

Przewód grzejny GM-2XT podłączyć do puszki przyłączeniowej. W trakcie prac należy postępować zgodnie z zawartymi w instrukcji wskazówkami dotyczącymi montażu zestawu przyłączeniowego.

Montaż przewodów grzejnych (12)

Przewód grzejny pomiędzy skrzynką przyłączeniową a odwodnieniem liniowym powinien być osłonięty rurką ochronną. Aby wody roztopowe mogły swobodnie odpływać, odwodnienie liniowe musi być ogrzewane na całej swojej długości.

Montaż zestawu zakończeniowego przewodu grzejnego (13)

Zestaw zakończeniowy przewodu grzejnego zamontować zgodnie ze wskazówkami w instrukcji dotyczącymi danego zestawu.

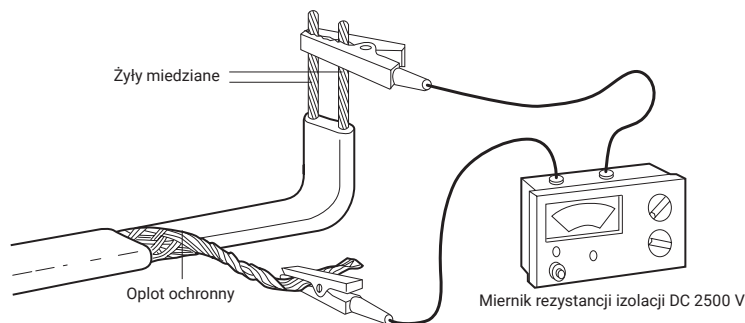
Przeprowadzenie kontroli rezystancji izolacji

Kontrola rezystancji izolacji ma na celu stwierdzenie ewentualnych uszkodzeń przewodu grzejnego w postaci nacięć lub nakłuć. Kontrolę należy przeprowadzić za pomocą miernika o napięciu testowym 2500 Vdc. Mierniki pracujące na niższym napięciu wykazują mniejszą czułość i nie zaleca się ich używania. Miernik musi mieć napięcie probiercze minimum 500 Vdc.

Pomiar należy przeprowadzić w następujący sposób:

- Do ekranu przewodu grzejnego podłączyć przewód miernika.
- Drugi przewód miernika podłączyć do obydwu żył grzejnych.
- Przyłożyć napięcie. Wskazana przez miernik rezystancja musi przekraczać 20 M Ω .

Jeżeli wynik nie przekracza 20 M Ω , oznacza to uszkodzenie przewodu grzejnego. Na ile to możliwe, należy zlokalizować miejsce uszkodzenia i dokonać naprawy. Wynik pomiaru należy nanieść na protokół instalacyjny.



Prace końcowe

Na odwodnienie liniowe należy zamontować kratkę ściekową, która ma za zadanie dodatkowo chronić przewód grzejny przed uszkodzeniami mechanicznymi.

Wskazówka: do systemu ogrzewania odwodnień liniowych należy stosować wyłącznik różnicowo-prądowy 30 mA. Należy się upewnić, że długość przewodu grzejnego podłączonego do jednego wyłącznika różnicowo-prądowego 30 mA nie przekracza 60 m.

Prace końcowe

Montaż czujnika

Jeśli dotyczy, zamontować czujnik.

Montaż panelu sterowania

Panele sterowania należy zamontować zgodnie z zaleceniami producenta.

Montaż sterownika

Zgodnie z EN 60335-1:1994 punkt 7.2.12 wymagany jest co najmniej jeden wyłącznik nadmiarowy (do odłączenia zasilania) z minimalną szczeliną kontaktu 3 mm.

Układy sterujące, termostaty i elementy obsługi należy montować zgodnie z zaleceniami wytwórców.

Zakończenie prac montażowych

Postępować zgodnie z wytycznymi normy VDE 0100 część 520 A3 i stosownymi przepisami lokalnymi dotyczącymi odbiorów instalacji elektrycznych.

Obsługa systemu

Rozruch

Wymagania elektryczne

Wszystkie pomiary elektryczne należy przeprowadzić zgodnie z obowiązującymi na danym terenie przepisami.

Należy sprawdzić, czy faktyczne rozłożenie instalacji pokrywa się z zapisem w planie rozłożenia instalacji. Należy również sprawdzić wartości prądów znamionowych urządzeń zabezpieczających.



EN

DE

FR

PL

CZ

RU

NL

SV

NO

FI

Kontrola układu sterującego

Należy skontrolować układ sterujący zgodnie z zaleceniami załączonej instrukcji.

Kontrola rezystancji izolacji

Celem upewnienia się, że ani przewody grzejne, ani przewody przyłączeniowe nie uległy uszkodzeniu podczas montażu systemu, należy przeprowadzić końcowy pomiar kontrolny rezystancji izolacji.

Działanie i obsługa systemu

System grzewczy nie zawiera części ruchomych, dzięki czemu wymaga tylko minimalnej obsługi. W trakcie obsługi należy kierować się lokalnie obowiązującymi zaleceniami obsługi urządzeń elektrycznych. Pracę urządzeń zabezpieczających pracę systemu należy sprawdzać w regularnych przedziałach czasowych. Raz na rok należy skontrolować wyłączniki różnicowo-prądowe.

Należy regularnie sprawdzać pracę elementów sterujących systemem, aby upewnić się, że działają poprawnie.

Plan rozłożenia instalacji należy przekazać osobie obsługującej instalację grzejną.

Maks. temperatura ekspozycji dla maty grzejnej: 65°C (przy wylewaniu asfaltu dopuszcza się krótkotrwałe działanie 240°C).

Rozwiązywanie problemów

⚠ UWAGA! Przed rozpoczęciem prac należy odłączyć dopływ prądu.

Problem A: Uruchamia się wyłącznik nadmiarowy

Możliwe przyczyny

Problem na poziomie instalacji elektrycznej:

- uszkodzenie przewodu przyłączeniowego
- uszkodzenie przewodu grzejnego

Działania naprawcze

Zlokalizować błąd montażu, lub uszkodzenie i wymienić uszkodzony przewód, ponownie uruchomić wyłącznik

Zbyt niski prąd znamionowy wyłącznika

Zamontować właściwy wyłącznik (Uwaga! Wybór zabezpieczenia jest zależny od długości obwodu grzewczego)

Uszkodzony wyłącznik nadmiarowy

Wymienić zabezpieczenie

Problem B: Uruchamia się wyłącznik różnicowo-prądowy

Możliwe przyczyny

Wilgoć w puszcze przyłączeniowej

Wysuszyć i sprawdzić szczelność.
Przeprowadzić kontrolę rezystancji izolacji

Zwarcie doziemne:

- na przyłączy
- na uszkodzonym przewodzie

Zlokalizować i zlikwidować problem, lub sprawdzić wyłącznik, uszkodzony wyłącznik wymienić

Zbyt wysoki prąd upływu:
zbyt długi przewód przyłączeniowy lub przewód grzejny

Zmienić długości przewodów i usunąć problem

Uszkodzony stycznik

Wymienić stycznik

Skoki napięcia w sieci

Włączyć ponownie wyłącznik różnicowo-prądowy. Jeśli sytuacja się powtarza, należy skontaktować się z dostawcą energii elektrycznej

Uszkodzenie wyłącznika różnicowoprądowego

Wymienić wyłącznik

Problem C: Lód/śnieg nie topi się

Możliwe przyczyny

Brak napięcia z powodu zadziałania wyłącznika namiarowego lub różnicowoprądowego

Postępować tak, jak w przypadku problemów A i B

Przerwanie przewodu zasilającego

Zlokalizować uszkodzenie i usunąć problem

Sterownik jest nieprawidłowo nastawiony lub działa nieprawidłowo

Poprawnie nastawić sterownik lub naprawić jeśli jest uszkodzony

Stycznik jest uszkodzony lub nieprawidłowy

Wymienić

Problem D: Lód/śnieg zaczyna się topić, ale system zbyt wcześnie się wylacza

Możliwe przyczyny

Sterownik jest nieprawidłowo ustawiony lub działa nieprawidłowo

Działania naprawcze

Poprawnie nastawić sterownik lub naprawić jeśli jest uszkodzony

Obecné

DŮLEŽITÉ: Pro správnou funkci topného systému je nutné pečlivě dodržovat všechny pokyny uvedené v tomto návodu. Instalace musí být rovněž v souladu s místními požadavky platnými pro elektrické topné systémy.

⚠ UPOZORNĚNÍ: Rohož nVent RAYCHEM WinterGard je elektrické zařízení, které musí být správně navrženo a nainstalováno. Dodržujte všechny konstrukční, instalační, zkušební a provozní pokyny, abyste zajistili správnou funkci a zabránili nebezpečí úrazu elektrickým proudem nebo požáru.

OBSAH: Tento návod se zaměřuje na instalaci rohože WinterGard Mat do mazaniny a písku pro zajištění dlouhodobé stability konstrukce.

Společnost nVent může dodat různé řady vhodných výrobků pro pokládku do potěru/betonu, asfaltu nebo pro jiné aplikace.

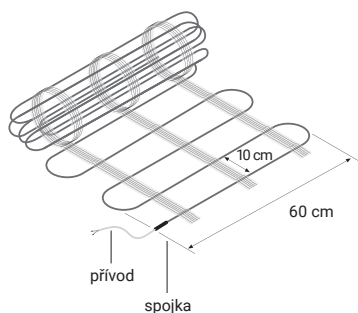
Topná rohož - systém WinterGard Mat (1)

Topná rohož WinterGard je topné zařízení s konstantním výkonem pro trvalou instalaci do mazaniny, písku nebo asfaltu pod dlažební desky.

Jedná se o systém na 230 Vac regulovaný řídicí jednotkou. (Řídicí jednotka se dodává samostatně.)

WinterGard Mat je předpřipravená topná rohož připravená k instalaci s 1 přípojkou napájecího vedení a výkonem cca. 300 W/m² nebo 27 W/m topného kabelu. Všechny rohože mají šířku 0,6 m a jsou k dispozici v délkách od 2 m do 21 m. Studený přívodní kabel má délku 5 m a měl by být instalován v kabelovém rozvodu.

Rozteč kabelů je 10 cm. Při rozteči 10 cm bude výkon 300 W/m².



Rozpěrka, propojovací skříňka (4) a přívodní kabel (9)

Pokud je nutné topný kabel z rohože uvolnit, pomohou plastové pásky (VIA-Strips-PL) udržet správnou vzdálenost (10 cm). Pro asfaltovou vrstvu by se měl použít kovový distanční prvek VIA-Spacer.

Prodloužení studených vodičů je třeba provést v rozvodné krabici. Spojení mezi ovládacím panelem a rozvodnou skříní se provádí vhodným přívodním kabelem.

Při instalaci do asfaltu musí být kabely snímačů chráněny vhodnou trubkou (vhodnou do 240 °C krátkodobě), nebo musí být uloženy pod asfaltovou vrstvou v podkladu pod ní. Trubka je na konci utěsněna tak, aby do ní nemohl proniknout asfalt.

Ujistěte se, že spoje topného kabelu a studeného vodiče (spojovací spára) jsou zcela obaleny asfaltem (před zalitím spojovací spáry a koncového těsnění nechte asfalt vychladnout na teplotu cca 100 °C) a bez vzduchových kapes. Tyto práce je třeba provést před provedením zalití celé plochy asfaltem.

Řídicí jednotka (8)

Společnost nVent nabízí řídicí jednotky speciálně navržené pro aplikace venkovního vytápění. Obsahují kombinované snímače teploty a vlhkosti, které zajišťují efektivní provoz systému.

Panely (7)

nVent nabízí řadu standardních rozvaděčů speciálně navržných pro aplikace venkovního vytápění. Každý rozvaděč obsahuje vestavěnou řídicí jednotku, jističe a proudový chránič (RCD).

Další položky

Přívody (5, 6)

K ochraně je nutné použít instalační trubky pro (nejsou součástí dodávky).

- napájecí vodič
- přívodní kabel senzoru



Elektrická řídicí zařízení

Pokud se nepoužijí standardní rozvaděče nVent, je třeba k dokončení systému použít další položky:

- Stykače
- Jističe
- Proudový chránič (RCD) 30 mA.

Skladování rohože

- Minimální teplota při instalaci je $-5\text{ }^{\circ}\text{C}$
- Rozsah skladovacích teplot: $-40\text{ }^{\circ}\text{C}$ až $+45\text{ }^{\circ}\text{C}$
- Všechny prvky systému skladujte na čistém a suchém místě.

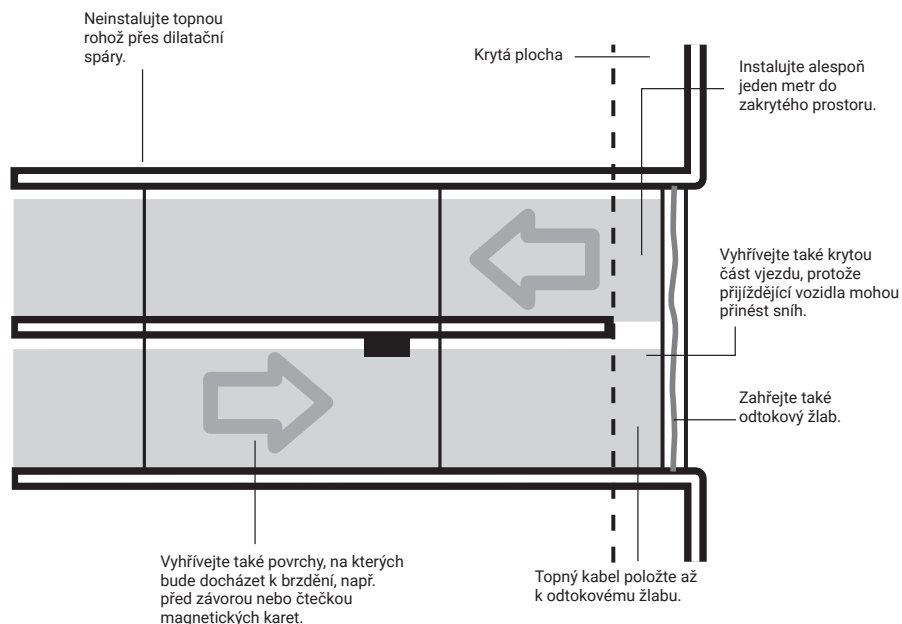
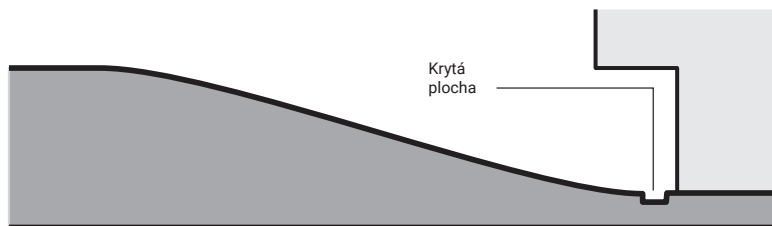
Zkušební zařízení

- Zkoušečka izolačního odporu 2500 Vdc (min. 500 Vdc)
- Ohmmetr

Návrh a uspořádání

Vytápěná plocha

Uřete přesnou oblast, která má být vyhřívána, např. podběhy kol. Zvažte následující faktory:



Nejprve se ujistěte, že vytápěná plocha odpovídá údajům uvedeným v návodu k projektování. Zjistěte, kde budou umístěny topné rohože, kde budou instalovány propojovací krabice a zkontrolujte, zda jsou přípojovací kabely dostatečně dlouhé.

Délka je 5 m. Před zahájením instalace topné rohože důkladně očistěte podklad, protože ostré předměty mohou způsobit poškození topného kabelu.

Rohož WinterGard se nesmí zkracovat ani spojovat.

Příprava podkladu

Topná rohož by měla být instalována na stabilní podklad. U zavěšených konstrukcí může být podklad tvořen hotovými deskami, předpjatým betonem nebo zavěšenou konstrukcí s vylitým betonem. topnou rohož lze položit na všechny povrchy podkladu.

V případě litého betonu je třeba zajistit, aby byl povrch hladký a aby byly odstraněny všechny ostré předměty.

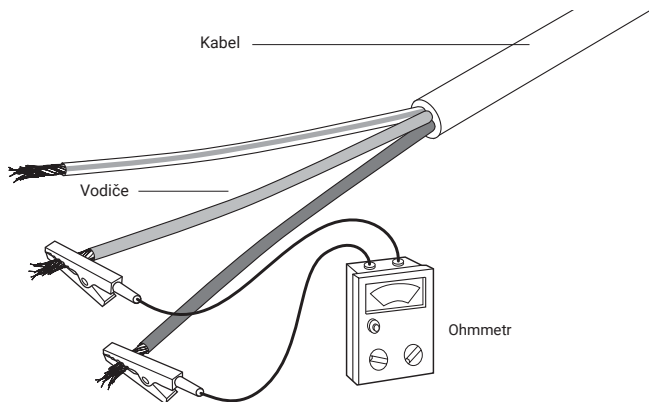
Rampy na pevném podkladu nevyžadují žádnou dodatečnou tepelnou izolaci.

Pro instalaci čidla teploty a vlhkosti je třeba provést odpovídající přípravu.

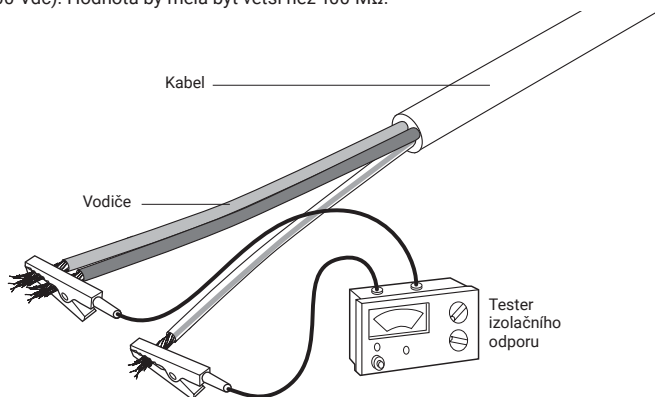
Zkouška odporu kabelu a izolačního odporu

Zkouška topné rohože zahrnuje měření odporu vodiče a odporu elektrické izolace kabelu.

Odpor vodiče se měří ohmmetrem. Je přípustná odchylka až 10 % od jmenovitého odporu. Viz tabulka na straně 10.



Izolační odpor by se měl měřit testerem izolačního odporu s napětím 2500 Vdc (minimálně 500 Vdc). Hodnota by měla být větší než 100 MΩ.



Všechny naměřené hodnoty zaznamenejte do dodaného „Záznamu o zkoušce instalace“.



Instalace topných rohoží

Veškerá připojení a elektrické zkoušky by měl provádět kvalifikovaný elektrikář. Vyhřívací rohože by měly být instalovány pro vyhřívání ramp a příjezdových cest.

U nepravidelně tvarovaných ploch je přípustné fixační pásku rohože (nikoli topný kabel) přestřihnout tak, aby rohož pokryla celou plochu.

- Topná rohož by měla být oddělena od jiných zdrojů tepla, jako jsou svítidla a komíny.
- Po instalaci topného systému a před instalací topného systému nechte beton/asfalt dostatečně vyschnout, nebo vytvrdnout před zapnutím topného systému.
- Nikdy a za žádných okolností neměňte délku topné rohože/kabelu.
- Nikdy nepřipojujte napájení pokud je topná rohož smotaná v roli.
- Při vytahování studených vodičů nepoužívejte příliš velkou sílu, jinak by mohlo dojít k poškození spoje teplý-studený.

Topný kabel uvnitř rohože:

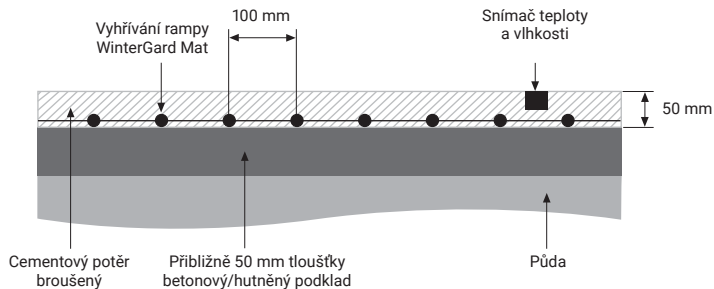
- nesmí být přerušován nebo poškozen,
- nesmí se dotýkat a křížit,
- nesmí být instalován ve vzdálenosti menší než 10 cm od jiné části topného kabelu,
- nesmí být instalován přes dilatační spáry nebo samostatné betonové desky.

Minimální vzdálenost topných kabelů je 10 cm

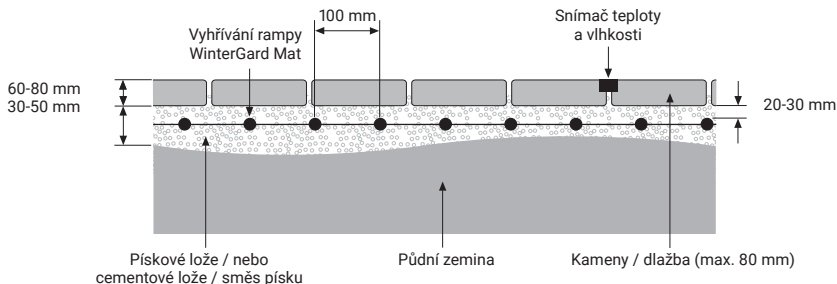
Topné rohože musí být připevněny k podkladové ploše tak, aby se zabránilo jejich pohybu během instalace.

Studený přívodní kabel by měl být chráněn v ochranné trubce. Celá délka topného kabelu by měla být pokryta mokrou pískocementovou směsí, potěrem nebo suchým pískem či asfaltem v závislosti na zvoleném povrchu.

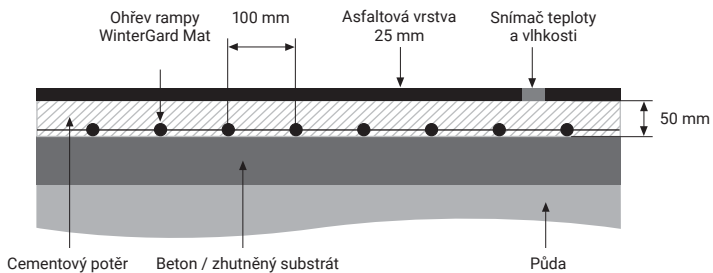
Vyhřívání rampy s cementovým potěrem nebo asfaltem



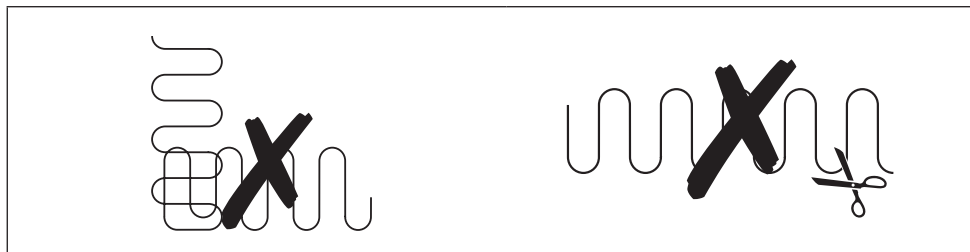
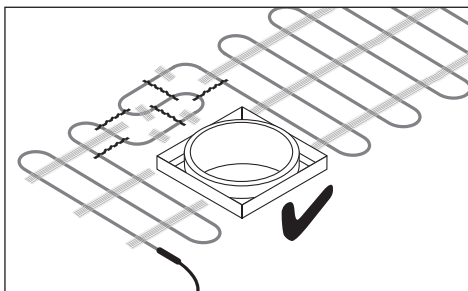
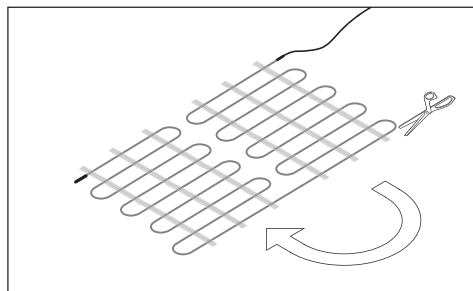
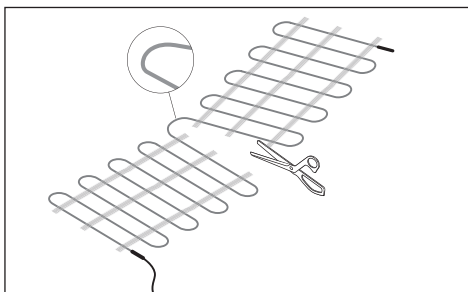
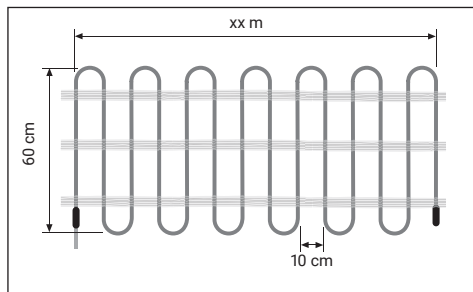
Vyhřívání rampy s horní vrstvou z kamenů nebo dlažby



Vyhřívací rohož na rampě zapuštěná do betonu / cementového potěru pod asfaltovou vrstvou

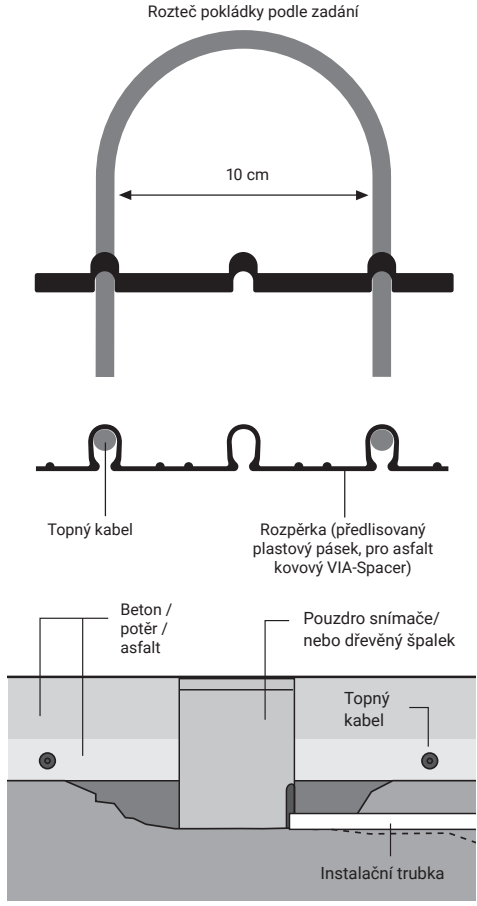


Pokud je nutné topný kabel uvolnit z podložky, měl by montér použít plastovou distanční podložku, aby byla zachována stejná vzdálenost kabelů.



- EN
- DE
- FR
- PL
- CZ**
- RU
- NL
- SV
- NO
- FI

K uspořádání volného topného kabelu použijte distanční podložky.

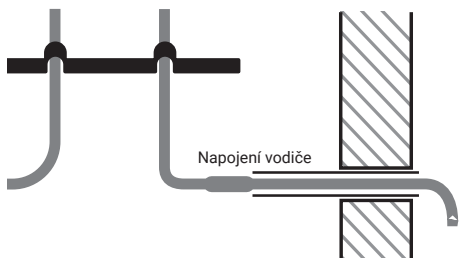


- Vedení k senzoru by mělo být vedeno pod vrstvou s topnou rohoží.

Instalace ochranné trubky pro přívodní vedení

Instalační trubka pro přívodní kabel by měla být uspořádána tak, aby spojení mezi topným a studeným kabelem bylo zcela zapuštěno do desky.

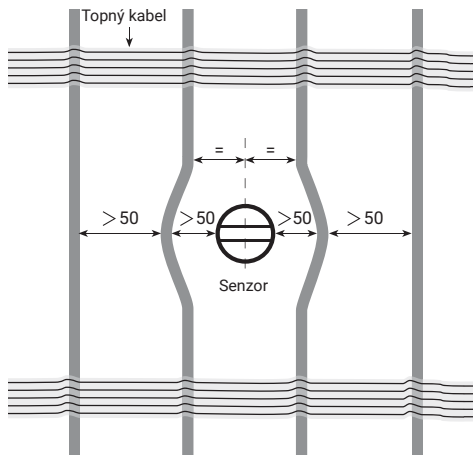
V případě instalace do asfaltu by měly být studené přívody chráněny vhodnou ochrannou trubkou (vhodnou pro krátkodobé použití při teplotě 240 °C) a její konce utěsněny tak, aby do nich nevniknul asfalt. Studený vodič kabelu vyvedete instalační trubkou do rozvodné skříňě.



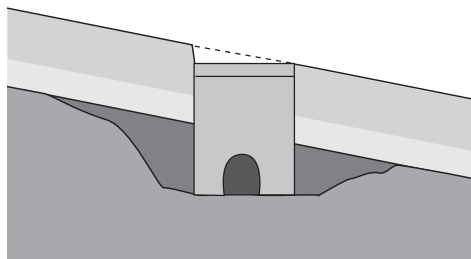
Instalace čidla teploty a vlhkosti (3)

Čidlo teploty a vlhkosti nainstalujte podle pokynů dodaných s přístrojem. Ujistěte se, že je instalováno ve správné výšce. U snímačů, které se skládají z odděleného pouzdra a snímače, instalujte v této fázi pouze pouzdro.

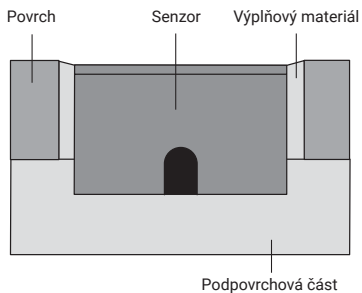
- Snímač by měl být umístěn uprostřed mezi topnými kabely.
- Před a během betonování/asfaltování by měl být instalován malý kus dřevěného špalíku jako "místo" pro pouzdro - senzor.



- Vedení senzoru by mělo být chráněno kovovou trubkou(6).
- Senzor musí být namontován svisle, a to i na šikmých plochách.



Senzor





Zkontrolujte instalaci

Zkontrolujte topnou rohož

- Vizually zkontrolujte, zda není topná rohož poškozená.
- Zkontrolujte, zda byl uvolněný topný kabel připevněn k distančním podložkám.
- Ověřte, zda byly dodrženy rozteče při pokládce a zda topná rohož není instalována přes dilatační spoje, ostré hrany atd.
- Zkontrolujte, zda je topná rohož nainstalována ve správné hloubce.
- Vizually zkontrolujte správnou instalaci přípojovacích vodičů.

Udělejte si náčrtek rozvržení pokládky

Zaznamenejte uspořádání každého obvodu, zejména s ohledem na umístění propojovacích vodičů.

Proveďte test ohmického a izolačního odporu

Proveďte testy odporu na každém obvodu, abyste zjistili případné poškození, ke kterému mohlo dojít během instalace nebo po ní. Hodnota izolačního odporu musí být větší než 100 MΩ. Zaznamenejte hodnotu pro každý obvod do „Záznamu o zkoušce instalace“.

Instalace horního povrchu

Kontroly

Před nanesením vrchní vrstvy proveďte následující kontroly:

- Zkontrolujte, zda nejsou známky poškození topného kabelu.
- Zkontrolujte rozteč a případnou hloubku topného kabelu pod povrchem.

Test ohmického a izolačního odporu

Bezprostředně před zahájením prací na horní ploše se doporučuje provést zkoušky odporu všech topných okruhů, aby se zjistilo případné poškození, ke kterému mohlo dojít po instalaci. Hodnoty odporu každého topného okruhu zaznamenejte do „Záznamu o zkoušce instalace“.

Před zahájením prací na vrchní vrstvě požádejte montážní tým o ověření výsledků odporu, zaznamenejte naměřené hodnoty a podepište „Záznam o zkoušce instalace“.

Práce na horním povrchu

Po dokončení všech povrchových prací proveďte znovu měření a zaznamenejte hodnoty do „Záznamu o zkoušce instalace“.

Systém pro ohřev odtokového žlábků se samoregulačním kabelem GM-2XT

Účel

Odtokový systém zajišťuje odtok roztáté vody.

Poznámka: Odtokový okruh by měl být řízen stejným řídicím systémem jako ostatní topné okruhy.

Instalace rozvodné skříně (10)

Vyberte si pozici:

- v blízkosti odtoku
- pokud možno v interiéru.

Instalace přípojovací sady (11)

Ukončete topný kabel GM-2XT do rozvodné skříně podle pokynů dodaných s rozvodnou skříní.

Přípojovací sada.

Rozložení topného kabelu (12)

Chraňte topný kabel pomocí ochranné instalační trubky mezi rozvodnou skříní a odtokem. Sledujte celou délku odtoku až k místu, kde voda z tání bude mít vždy odtokovou cestu.

Nainstalujte koncové těsnění (13)

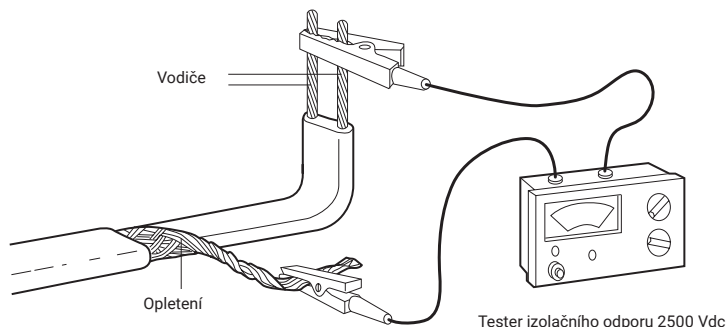
Koncové těsnění samoregulačního kabelu nainstalujte podle pokynů dodaných s přípojovací sadou.

Proveďte test izolačního odporu

Zkouška izolačního odporu odhalí poškození topného kabelu, jako je například proříznutí nebo propíchnutí. Mělo by se provádět pomocí testeru s napětím 2500 Vdc. Přístroje s nižším napětím jsou méně citlivé a nedoporučují se. Přístroj by měl mít zkušební napětí nejméně 500 Vdc.

Postupujte takto:

- Připojte jeden vodič k ochrannému opletení topného kabelu.
- Druhý vodič připojte k oběma vodičům společně.
- Použijte testovací napětí. Hodnota izolačního odporu musí být větší než 100 MΩ.
- Pokud je izolační odpor menší než tato hodnota, je topný kabel poškozen. Pokud je to možné, lokalizujte závadu a odstraňte ji. Zaznamenejte hodnotu izolačního odporu do „Záznamu o zkoušce instalace“.



Dokončovací práce

Nad odtokový otvor nainstalujte mřížku, abyste zajistili ochranu topného kabelu před poškozením.

Poznámka: Pro ohřev odtoku je vyžadován proudový chránič (RCD) 30 mA. Dbejte na to, aby svodové proudy nepřesahovaly 30 mA. Maximálně 60 m topného kabelu připojte na jeden jistič 16 A typu C.

Dokončovací práce

Kompletace senzoru

Dokončete instalaci senzoru vlhkosti a teploty (pokud je to nutné).

Instalace panelu a ovládacích prvků

Instalujte elektrické panely podle pokynů výrobce. Instalujte řídicí jednotky, termostaty a ruční ovládací zařízení podle pokynů výrobce.

Kompletní zapojení a systém

Dodržujte platné místní předpisy.

Provoz

Počáteční spuštění

Elektrické požadavky

Proveďte veškeré elektrické zkoušky podle platných místních předpisů a postupů zkontrolujte, zda veškerá elektroinstalace odpovídá projektovým výkresům. Zkontrolujte správnou jmenovitou hodnotu všech ochranných zařízení.

Kontroly řídicí jednotky

Zkontrolujte řídicí jednotku podle pokynů dodaných s jednotkou.

Testy odolnosti

Proveďte závěrečnou zkoušku odporu, abyste se ujistili, že přípojovací kabel a přívodní kabel nebyly po instalaci poškozeny.

Obecný provoz a údržba

Systém nemá žádné pohyblivé části, a proto vyžaduje minimální údržbu. Je třeba dodržovat místní předpisy a požadavky na údržbu elektrických zařízení.

Jističe by se měly pravidelně kontrolovat. Proudové chrániče (RCD) by se měly testovat alespoň jednou ročně. Pravidelně kontrolujte ovládací prvky systému. Zkontrolujte, zda ovládací prvky fungují správně.

Max. teplota vystavení topné rohože: 65 °C (pro krátkodobě lití asfaltu je povoleno 240 °C). Instalátor musí dodat provozovateli/vlastníkovi výkres pokládky-rozvržení topných rohoží.



EN

DE

FR

PL

CZ

RU

NL

SV

NO

FI



EN

DE

FR

PL

CZ

RU

NL

SV

NO

FI

Průvodce řešením problémů

VAROVÁNÍ: Před prací na jakékoli části elektrického systému odpojte napájení.

Problém A: Nadproudová ochrana (jistič) se vypne nebo vyletí.

Pravděpodobné příčiny	Oprava
Elektrická závada: <ul style="list-style-type: none"> • přívodní kabel • poškozený topný kabel 	Vyhledejte a odstraňte závadu a resetujte nebo vyměňte ochranu.
Poddimenzovaný jistič	Znovu zjistěte, jaké bude aktuální zatížení, a nainstalujte správný jistič (Poznámka: pokud je jistič vyměněn, ujistěte se, že je kompatibilní s přívodním kabelem).
Vadný jistič - ochrana	Vyměňte za nový

Problém B: Vypnutí zbytkového proudu zařízení

Pravděpodobné příčiny	Oprava
Nadměrná vlhkost v rozvodné skříní	Vysušte a zkontrolujte těsnění; v případě potřeby jej vyměňte. Proveďte zkoušku izolačního odporu.
Zemní porucha na: <ul style="list-style-type: none"> • připojení • poškozený topný kabel 	Vyhledejte a odstraňte závadu a resetujte nebo vyměňte proudový chránič (RCD).
Příliš vysoký svodový proud: příliš dlouhý napájecí nebo topný kabel	Oprave problém a změňte návrh.
Odskakování stykače	Vyměňte stykač za kvalitnější
Napěťové špičky v napájecí síti	Resetujte proudový chránič (RCD). Pokud stav přetrvává, použijte čistý zdroj napájení.
Vadný proudový chránič (RCD)	Vyměňte za nový

Problém C: Led/sníh neroztává

Pravděpodobné příčiny	Oprava
Ztráta napětí v důsledku vypnutí nadproudové nebo svodové ochrany.	Postupujte podle postupů uvedených v bodech A a B výše.
Poškozený přívodní kabel	Vyhledejte a odstraňte závadu.
Nesprávné nastavení nebo fungování ovládacích prvků systému	Zkontrolujte, nebo vyměňte ovládací prvky
Nesprávné dimenzování stykače nebo poškozený stykač	Vyměňte stykač za nový

Problém D: Led/sníh začíná tát, ale systém se vypíná příliš brzy

Pravděpodobné příčiny	Oprava
Nesprávné nastavení nebo fungování řídicí jednotky	Oprave řídicí jednotku systému nebo správně nastavte jednotku.

Важная информация!

Важная информация! Необходимым условием надлежащей работы нагревательной системы является точное выполнение всех инструкций, представленных в настоящем руководстве.

Монтаж устройства должен выполняться в соответствии с местными нормативными требованиями, предъявляемыми к электрическим греющим системам.

⚠ ПРЕДУПРЕЖДЕНИЕ: Греющие кабели WinterGard, представляют собой электрические устройства, которые должны быть правильно подобраны и установлены.

Для обеспечения надлежащего рабочего режима, а также для предотвращения опасности поражения электрическим током или возникновения пожара, необходимо выполнять все инструкции по выбору схемного решения, монтажу, испытаниям и эксплуатации.

Содержание руководства: В настоящем руководстве основное внимание уделено процедуре установки греющих матов nVent RAYCHEM WinterGard на цементных стяжках и песчаных основаниях, обеспечивающей долговременную работоспособность конструкции. Компания nVent предоставляет различные модификации соответствующей продукции для укладки на асфальтовом покрытии, а также для других вариантов применения.



Система греющих матов WinterGard для стаивания снега

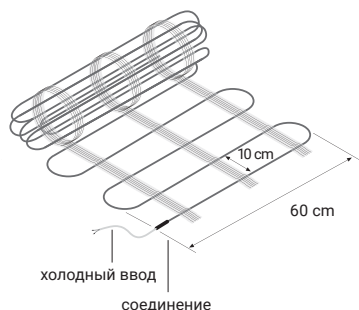
Маты для стаивания снега WinterGard Mat представляют собой греющую систему с постоянной потребляемой мощностью, которая предназначена для постоянной укладки в цементной стяжке или песчаной подушке или под асфальтовым дорожным покрытием.

Данная система работает от переменного тока напряжением 230 В и регулируется с помощью блока управления. (Блок управления поставляется отдельно.)

Устройство WinterGard Mat представляет собой готовый для установки разделанный греющий мат с одним силовым (холодным) кабелем подвода питания, мощностью порядка 300 Вт/м² (мощность греющего кабеля составляет около 27 Вт/м).

Ширина всех матов составляет 0,6 м, а их длина может изменяться от 2 м до 21 м. В комплект системы входит также предварительно подсоединенный кабель питания, длиной 5 м, который должен быть помещен в кабелепровод.

При шаге укладки кабеля 10 см мощность обогрева системы составит ~300 Вт/м².



Распорные элементы, распределительная коробка и провод питания (4), (9)

Если необходимо вытащить греющий кабель из мата, то для сохранения требуемого шага укладки кабеля (100 мм) следует использовать распорные пластмассовые рейки (VIA-Strips-PL). Для асфальта рекомендовано использовать металлическую ленту.

Удлинение холодных проводов должно быть выполнено в распределительной коробке. Соединение между панелью управления и распределительной коробкой осуществляется с помощью кабеля питания подходящего сечения.

При прокладке в асфальте кабель датчика должен быть защищен закладной трубкой (пригодной для кратковременного использования при температуре +240°C) проложенной под черновым слоем перед укладкой горячего асфальта. Закладная трубка герметизируется на конце, чтобы асфальт не мог проникнуть внутрь.

Убедитесь, что муфта соединения нагревательного кабеля и кабеля холодного ввода полностью покрыты асфальтом (Ø30) (дайте асфальту остыть до температуры около 100°C, прежде чем заливать его на соединительный шов и концевую заделку) и не имеют воздушных карманов. Эта работа должна быть выполнена до начала заливки асфальтом всего покрытия.



Блок управления (8)

Компания nVent поставляет блоки управления, специально разработанные для систем по стаиванию снега и льда. Для обеспечения эффективной работы системы в блоках управления устанавливаются комбинированные датчики температуры и влажности.

EN

DE

FR

PL

CZ

RU

NL

SV

NO

FI

Панели (7)

Компания nVent поставляет широкий ассортимент стандартных панелей, специально разработанных для систем подогрева въездных площадок. Каждая панель содержит встроенный блок управления, автоматические выключатели и устройства защиты от токов замыкания на землю (УЗО).

Дополнительное оборудование

Кабелепроводы (5,6)

Кабелепроводы (не включены в комплект) необходимо использовать для защиты:

- кабелей питания
- соединительных проводов датчиков.

Электрические устройства управления

Если стандартные панели nVent RAYCHEM не используются при установке, для комплектации системы требуются следующие вспомогательные устройства:

- контакторы
- автоматические предохранители
- Устройство защитного отключения (УЗО), 30 мА

Хранение мата:

- Минимальная температура монтажа -5°C
- Интервал допустимых температур хранения: от -40°C до $+45^{\circ}\text{C}$
- Все детали системы следует хранить в чистом сухом месте.

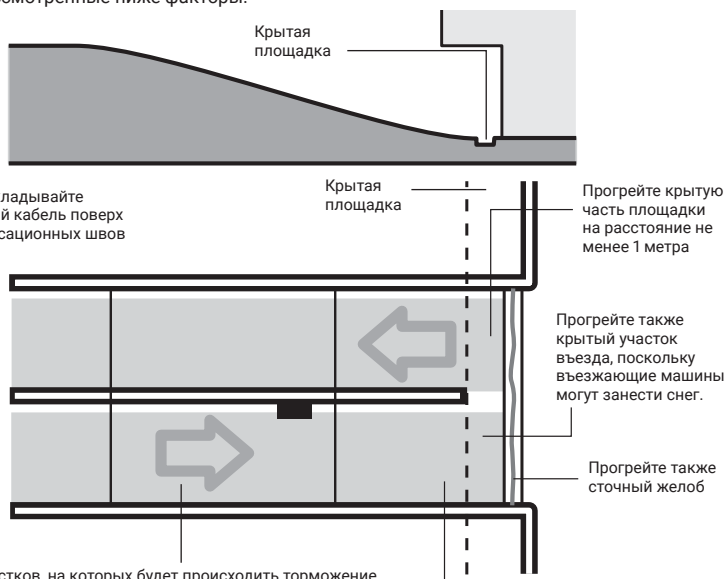
Требуемое измерительное оборудование

- Устройство измерения сопротивления изоляции при напряжении 2500 В постоянного тока (минимум 500 В)
- Омметр

Рекомендации по компоновке

Площадь, подлежащая обогреву

Определите точные размеры площади, которая должна быть обогрета, например, колесную колею. Учтите рассмотренные ниже факторы.



Обогрев участков, на которых будет происходить торможение, напр. перед шлагбаумом или считывателем магнитных карт.

Положите нагревательный кабель до водосточного желоба.

Сначала убедитесь, что обогреваемая площадь соответствует данным, указанным в инструкции по проектированию. Определите места установки распределительных коробок и проверьте, достаточно ли длины соединительных проводов.

Длина составляет 5 м. Тщательно очистите основание перед началом установки нагревательного мата, так как острые предметы могут повредить нагревательный кабель.

Маты WinterGard-Mat не разрешается укорачивать или срывать.

Подготовка чернового основания

Греющие маты должны монтироваться на твердом основании.

В случае подвесных конструкций основание может состоять из монолитных бетонных плит, предварительно затвердевшего бетона или подвесной структуры с литым бетоном.

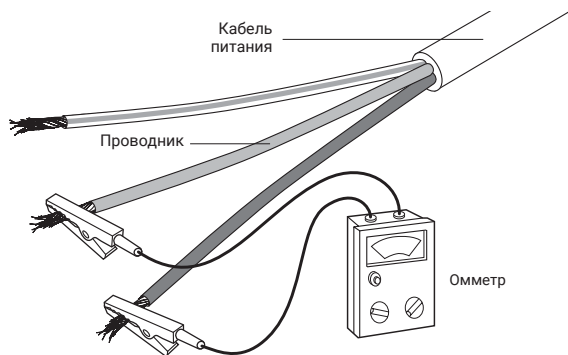
Греющие маты могут быть уложены на основании любого типа. Однако в случае применения литого бетона необходимо убедиться в том, что поверхность сглажена и на ней отсутствуют острые кромки. Дорожное полотно, уложенное на твердой поверхности, не нуждается в дополнительной изоляции.

Дополнительная подготовка должна быть проведена для установки датчиков температуры и влажности.

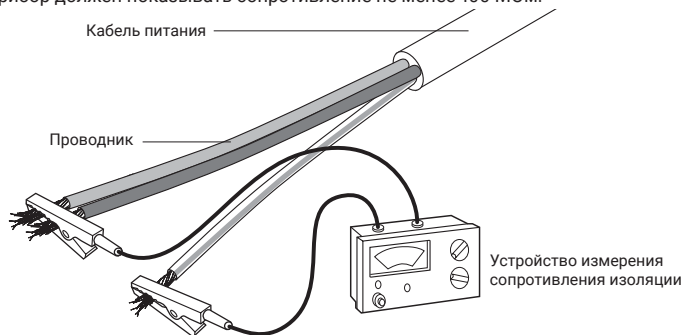
Предмонтажные испытания

В первую очередь убедитесь в том, что площадь обогрева данным, указанным в инструкциях по выбору конструкции. Определите участки, где должны быть установлены распределительные коробки, и провода. В комплект поставки входит кабель питания длиной 5 м. Тщательно очистите основание перед началом прокладки греющего мата, поскольку оставленные острые предметы могут повредить греющий кабель и кабель подвода питания.

Перед началом монтажа проведите также тестирование кабеля с помощью омметра. Такое тестирование включает измерение сопротивления проводящей жилы кабеля и измерение сопротивления изоляции кабеля. Сопротивление проводящей жилы измеряется с помощью омметра. Допустимое отклонение от номинального значения сопротивления составляет 10%. См. таблицу на стр. 10.



Сопротивление изоляции следует измерять с помощью Мега омметра с напряжением 2500 В (500 В минимум). Прибор должен показывать сопротивление не менее 100 МОм.



Внесите все измеренные величины в прилагающийся Протокол испытаний.



Монтаж греющего мата

Все соединения и электроиспытания должны проводиться квалифицированным электриком.

Греющие маты устанавливаются для прогрева подъездных площадок и подъездных путей или же для защиты больших участков земли от снега и льда.

Для участков неправильной формы допустимо обрезать основу мата (но не греющий кабель), чтобы покрыть весь участок.

- Греющий кабель должен быть отделен от других источников тепла, таких как светильники и дымоходы.
- После установки системы обогрева и перед включением системы обогрева дайте бетону/асфальту отвердеть.
- Никогда и ни при каких обстоятельствах не изменяйте длину греющего кабеля мата!
- Никогда не подавайте питание в виде кабеля в катушке и мата в рулоне.
- Не прилагайте чрезмерных усилий для протягивания холодных проводов, иначе это может привести к повреждению соединения "горячий-холодный".

При этом находящийся внутри мата греющий кабель не должен быть:

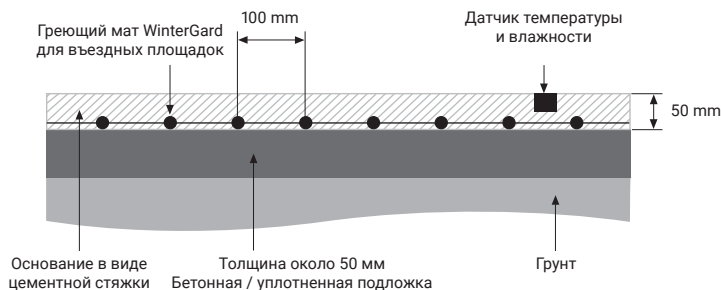
- обрезан или поврежден,
- уложен внахлест
- установлен в пределах 100 мм от другой секции нагревателя,
- установлен поперек компенсационных швов или отдельных бетонных плит.

Минимальный интервал укладки кабеля составляет 100 мм

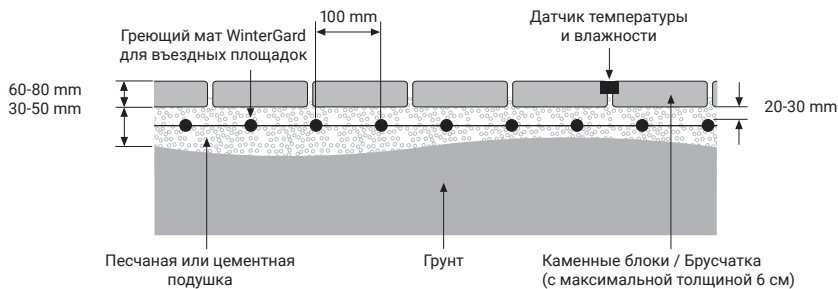
Греющие маты должны быть закреплены на подстилающей поверхности во избежание их смещения в процессе монтажа.

Для обеспечения надлежащей защиты кабель питания должен быть установлен в кабелепровод. По всей длине греющий кабель должен быть покрыт влажной песчано-цементной смесью, цементной стяжкой, сухим песком или асфальтом в зависимости от типа выбранного покрытия.

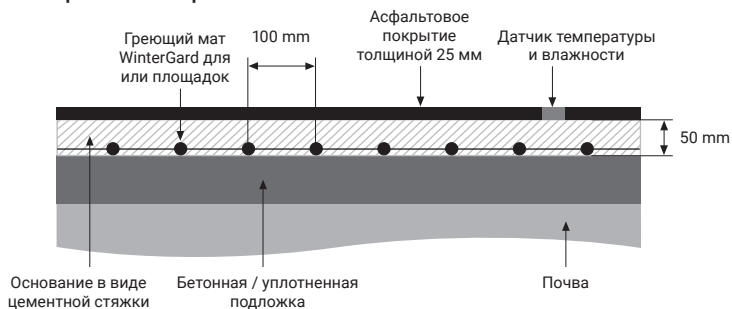
Система обогрева для въездных площадок, заложенная в бетонное основание / цементную стяжку / асфальт



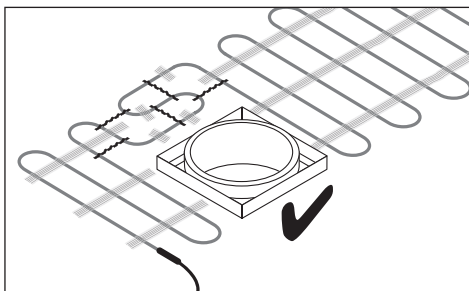
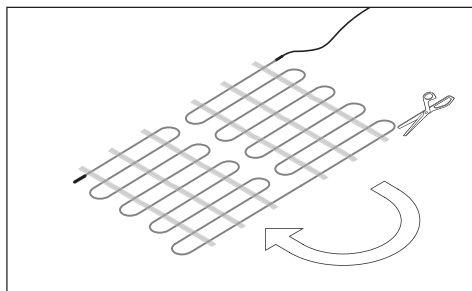
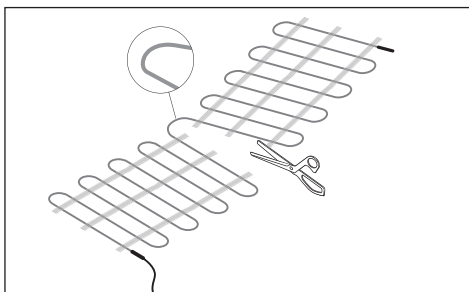
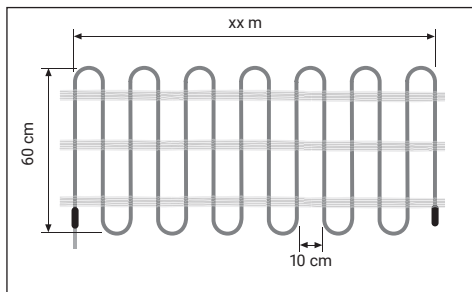
Обогрев въездной площадки с каменным или плиточным покрытием



Греющий мат для въездных площадок, уложен на бетонное основание или цементную стяжку
Верхний слой – асфальтовое покрытие

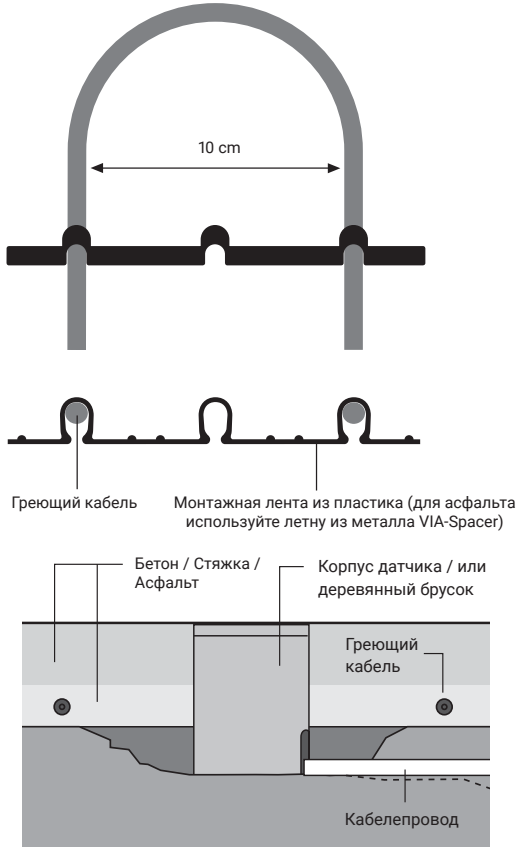


Если требуется отсоединить греющий кабель от нагревательного мата, при установке монтажник должен использовать специальную пластмассовую фиксирующую ленту для сохранения требуемого шага укладки кабеля.



Использование фиксирующей ленты для укладки кабеля вне мата

Укладка производится как указано ниже

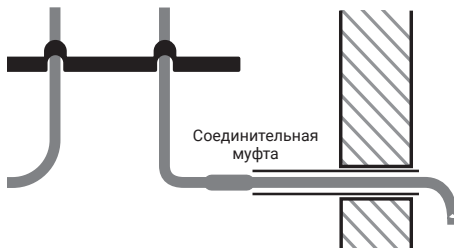


- Соединительный провод датчика должен быть проложен под покрытием площадки и под греющим матом.

Установка кабелепровода для холодного ввода

Для защиты от механического воздействия кабель холодного ввода помещают в кабелепровод подходящего размера. Кабелепровод холодного ввода следует разместить таким образом, чтобы соединительная муфта была целиком расположена в пределах обогреваемой площадки.

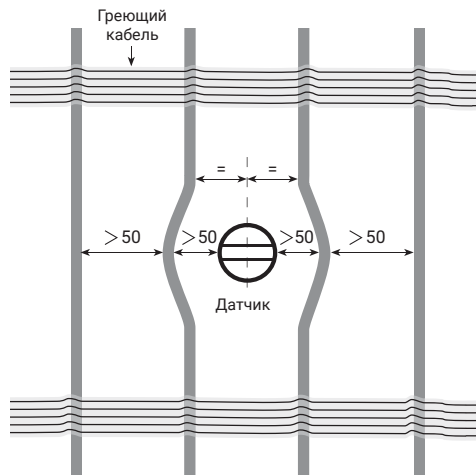
В случае укладки асфальта холодные провода должны быть защищены закладной трубкой (пригодной для кратковременного воздействия +240°C), а ее концы загерметизированы, чтобы асфальт не проник внутрь. Проведите холодный кабель по кабелепроводу в распределительную коробку.



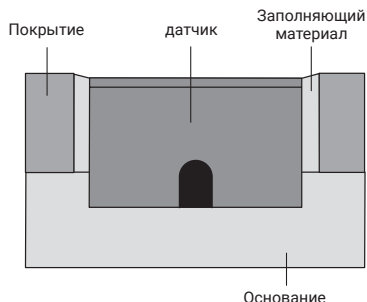
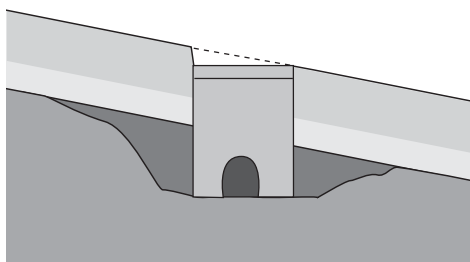
Установка датчика температуры и влажности (3)

Установите датчик температуры и влажности в соответствии с инструкциями, прилагаемыми к данному устройству. Убедитесь в том, что датчик зафиксирован на требуемой высоте. Если предполагается использовать датчики, состоящие из отдельного корпуса и измерительного элемента, то на данном этапе установите только корпус датчика.

- Датчик должен быть установлен посередине между нитками греющего кабеля.
- Перед и во время заливки бетона/асфальта следует установить небольшой кусок деревянного бруска в качестве "держателя" для датчика.



- Соединительный провод датчика должен быть защищен металлическим кабелепроводом (6).
- Датчик должен быть установлен вертикально даже на наклонных поверхностях.





EN

DE

FR

PL

CZ

RU

NL

SV

NO

FI

Контроль монтажа

Проверка греющего кабеля

- Осмотрите греющий мат на предмет повреждений
- Убедитесь в том, что греющий кабель внемата закреплен на фиксирующей ленте или распорке
- Убедитесь в том, что заданный шаг укладки был выдержан и что греющий кабель проходит на удалении от компенсационных швов, острых кромок и так далее.
- Проверьте глубину укладки греющего кабеля.
- Осмотрите кабели питания и убедитесь в правильности их монтажа.

Составление компоновочной схемы

Составьте схему каждой электрической цепи с указанием положения кабелей питания.

Контрольное испытание сопротивления

Проведите испытания сопротивления изоляции применительно к каждому контуру с целью выявления повреждений, которые могли возникнуть в процессе или после монтажа. Прибор должен показывать сопротивление, превышающее 100 МОм. Внесите измеренные значения сопротивления для каждого контура в Протокол испытаний на месте установки.

Укладка финишного покрытия

Контрольные проверки

Перед укладкой асфальта выполните следующие проверки:

- Убедитесь в отсутствии признаков повреждения греющего кабеля.
- В случае необходимости проверьте интервал и глубину укладки греющего кабеля под поверхность.

Испытания сопротивления изоляции

Мы рекомендуем провести испытания сопротивления изоляции для всех греющих контуров непосредственно перед укладкой асфальта с целью обнаружения любого повреждения, которое могло бы иметь место после монтажа. Внесите измеренные значения сопротивления для каждого нагревательного контура в Протокол испытаний на месте установки.

После укладки

После завершения работ по укладке асфальта выполните контрольные измерения сопротивления изоляции и внесите измеренные значения в Протокол испытаний на месте установки.

Система подогрева дренажного лотка с помощью саморегулирующегося греющего кабеля GM-2XT

Назначение

Система подогрева дренажного канала гарантирует полное удаление талой воды.

Примечание: Управление контуром подогрева дренажного лотка должно осуществляться с помощью той же системы управления, которая обслуживает все остальные греющие контуры.

Монтаж распределительной коробки (10)

Выберите подходящее место:

- поблизости от дренажной системы
- внутри помещения (по возможности).

Установка комплекта соединительных элементов (11)

Подключите конец греющего кабеля GM-2XT к распределительной коробке в соответствии с инструкциями, прилагаемыми к комплекту соединительных элементов.

Укладка греющего кабеля (12)

Используйте кабелепровод для защиты греющего кабеля на участке между распределительной коробкой и дренажным каналом. Проложите греющий кабель в дренажную систему по всей длине и убедитесь в том, что ничто не преграждает путь для талой воды.

Установка концевой заделки (13)

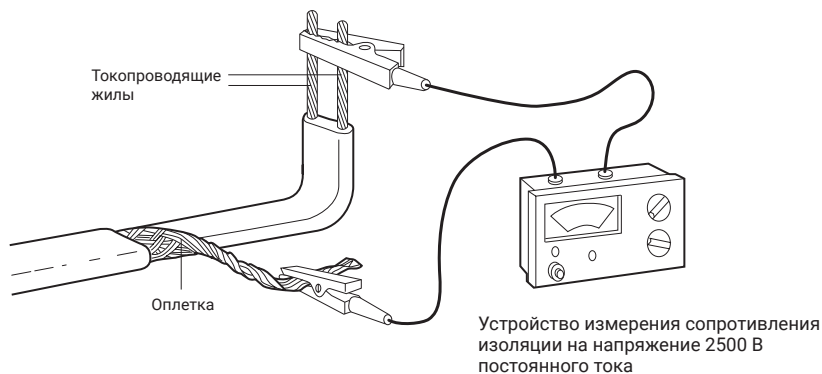
Установите концевую заделку в соответствии с инструкциями, прилагаемыми к комплекту заделки.

Испытания сопротивления изоляции

Испытания сопротивления изоляции позволяют выявить такие повреждения греющего кабеля как обрывы или проколы. Испытания следует проводить с использованием прибора, рассчитанного на напряжение 2500 В постоянного тока. Приборы с меньшим напряжением применять не рекомендуется в силу их недостаточной чувствительности. Испытательное напряжение прибора должно составлять не менее 500 В постоянного тока.

Выполните следующие операции:

- Подсоедините один из проводов к оплетке греющей матрицы кабеля.
- Подсоедините второй провод к обоим проводникам греющего кабеля.
- Подайте напряжение. Прибор должен показывать сопротивление, превышающее 100 МОм.
- Если сопротивление изоляции ниже указанной величины, это указывает на повреждение греющей секции. По возможности постарайтесь выявить и устранить причину неисправности. Внесите измеренное значение сопротивления изоляции в Протокол испытаний на месте установки.



Завершение монтажа

Установите сетку поверх дренажного канала, чтобы защитить греющий кабель от возможных повреждений.

Примечание: В системе обогрева дренажного лотка предусмотрено использование устройства защитного отключения (УЗО), рассчитанного на ток 30 мА. Убедитесь в том, что к каждому устройству защитного отключения на 30 мА (УЗО) подсоединен греющий кабель длиной не более 60 м.

Окончательный монтаж

Установка датчика

Если необходимо, закончите установку датчика температуры и влажности.

Установка панелей (8)

Установите электрические панели управления в соответствии с инструкциями производителя

Монтаж системы управления (9)

Согласно требованиям стандарта EN 60335-1:1994 (пункт 7.2.12), необходимо установить по крайней мере один многополюсный автоматический выключатель (для отключения от магистральной сети) с минимальным зазором между контактами 3 мм. Смонтируйте блоки управления, термостаты и устройства ручного управления в соответствии с инструкциями фирмы-изготовителя.

Монтаж электрических соединений и системы (10)

Выполните монтаж в соответствии с требованиями, действующими в вашем регионе нормативными положениями.

Рабочий режим

Первоначальное включение

Требования к электрической системе

Произведите все необходимые проверки в соответствии с местными требованиями и стандартами. Проверьте всю электропроводку на соответствие проектным чертежам. Также проверьте работоспособность всех защитных устройств.

Проверка устройства управления

Выполните контрольную проверку устройства управления в соответствии с прилагаемыми к нему инструкциями.

Испытания сопротивления изоляции

Проведите заключительные испытания сопротивления изоляции и убедитесь в том, что соединительная муфта и кабель питания не были повреждены в процессе монтажа.

Общие правила эксплуатации и технического обслуживания

В системе отсутствуют движущиеся части, поэтому она требует минимального технического обслуживания. При выполнении технического обслуживания системы следует руководствоваться действующими в данном регионе стандартами и требованиями, установленными для электрооборудования.

Периодически необходимо проверять автоматические выключатели. Ежегодное тестирование должны проходить устройства защитного отключения (УЗО). Периодически следует проводить контрольную проверку органов управления системой, чтобы убедиться в их правильном функционировании.

Максимальная температура окружающей среды для греющего мата составляет 65°C (При укладке асфальта возможно кратковременное воздействие до 240°C). Монтажник должен предоставить оператору компоновочный чертеж.

Руководство по поиску и устранению неисправностей

⚠ ВНИМАНИЕ: отключите систему от питания перед проведением любого сервисного обслуживания

Неисправность A: Нарушение изоляции или перегорание защитной блокировки от токов повышенного напряжения	
Возможные причины	Способ устранения
Электрическая неисправность в: <ul style="list-style-type: none"> соединительной муфте поврежденном нагревательном кабеле. 	Найти и устранить причину неисправности и перенастроить или заменить защитную блокировку. и установить новую защитную
Защитная блокировка не отвечает токовой нагрузке	Перенастроить в соответствии с требуемыми токовыми нагрузками блокировку (ПРИМЕЧАНИЕ: При замене защитной блокировки убедитесь в том, что она совместима с силовым кабелем).
Неисправность защитной блокировки	Заменить

Неисправность B: Срабатывание устройства защитного отключения	
Возможные причины	Способ устранения
Попадание влаги в распределительную коробку	Просушить и проверить уплотнение; в случае необходимости заменить.Провести контрольную проверку сопротивления изоляции.
Отказ заземления в: <ul style="list-style-type: none"> соединении поврежденном греющем кабеле. 	Найти и устранить причину неисправности и перенастроить или заменить устройство защиты от токов замыкания на землю.
Недопустимо высокий ток утечки: Слишком большая длина силового или греющего кабеля	Устранить неисправность и модернизировать конструкцию.
“Отскакивание” контактов замыкателя	Заменить на контактор более высокого качества.
Выбросы напряжения в цепи питания	Перенастроить устройство защитного отключения. Если неисправность сохраняется, использовать новый блок питания.
Неисправность устройства защитного отключения	Заменить

Неисправность C: Режим плавления льда / снега не достигается	
Возможные причины	Способ устранения
Падение тока питания из-за возникновения сверхтоков или срабатывания устройства защиты от токов замыкания на землю.	Выполнить операции, рассмотренные выше в пунктах A и B.
Обрыв в цепи кабеля питания	Найти и устранить причину неисправности.
Неправильная настройка или нарушение режима работы органов управления системой	Отремонтировать или правильно настроить органы управления системой
Неправильный выбор характеристик контактора или его повреждение	Устранить причину неисправности

Неисправность D: Лед и снег начинают плавиться, однако система отключается слишком быстро	
Возможные причины	Способ устранения
Неправильная настройка или нарушение режима работы органов управления системой.	Отремонтировать устройство управления системой или правильно настроить органы управления

Algemeen

BELANGRIJK: Voor een correcte werking van het verwarmingssysteem moeten alle instructies in deze handleiding nauwkeurig worden gevolgd. De installatie dient tevens in overeenstemming te zijn met de plaatselijke vereisten die van toepassing zijn op elektrische verwarmingssystemen.

⚠ WAARSCHUWING: De nVent RAYCHEM WinterGard mat is het elektrisch deel van het systeem dat correct ontworpen en geïnstalleerd moeten worden.

Volg alle instructies op voor het ontwerp, de installatie, het testen en het in gebruik stellen om een goede werking te verzekeren en elektrocutie of brandgevaar te voorkomen.

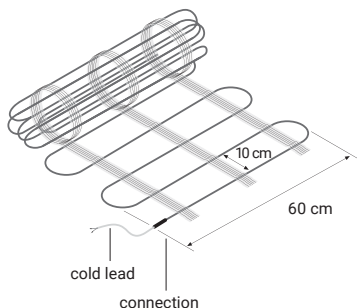
TOEPASSINGSGBIED: Deze handleiding beschrijft de installatie en controle van WinterGard mat in beton en (cement-) zand voor een duurzame werking. nVent kan andere producten leveren die geschikt zijn voor installatie in asfalt of andere toepassingen.

WinterGard mat verwarmingssysteem (1)

De WinterGard verwarmingsmat is een verwarming met constant vermogen, die geïnstalleerd kan worden in cement-zand of zand of asfalt onder straatstenen.

Het is een 230 Vac systeem met een sturing. (De sturingseenheid wordt afzonderlijk geleverd).

De WinterGard mat is een verwarmingsmat met 1 aansluiting, klaar voor installatie. De mat heeft een vermogensafgifte van ca. 300 W/m² of 27 W/m verwarmingskabel. Alle matten zijn 0,6 m breed en zijn verkrijgbaar in lengten van 2 tot 21 meter. De voedingskabel is 5 m en moet in een elektriciteitsbuis geplaatst worden. De kabelafstand is 10 cm. Met een tussenafstand van 10 cm bedraagt het afgegeven vermogen 300 W/m².



Afstandhouder, aansluitdoos (4) en voedingskabel (9)

Als het nodig is de verwarmingskabel los te maken van de mat, helpen de plastic strips (VIA-Strips-PL) om de correcte tussenafstand (10 cm) te bewaren. Voor asfalt moet de metalen VIA-Spacer gebruikt worden.

Verlenging van de voedingskabel(s) moet gebeuren in een aansluitdoos. De verbinding tussen de schakelkast en de aansluitdoos wordt met bedradingen gemaakt, die daartoe geschikt zijn.

Voor installatie in asfalt moeten de sensorkabels worden beschermd door een geschikte doorvoerbuisk (geschikt tot 240°C kortstondig) of onder de asfaltlaag in de ondergrond worden gelegd. De doorvoerbuisk is aan het uiteinde afgedicht, zodat het asfalt niet kan binnensijpelen.

Zorg ervoor dat de aansluitingen van de verwarmingskabel en de koudeleidingskabel (splitsverbinding) volledig door het asfalt worden omhuld (laat het asfalt afkoelen tot een temperatuur van ongeveer 100°C alvorens het over de splitsverbinding en de eindafdichting te gieten) en zonder luchtzakken. Deze werkzaamheden moeten worden uitgevoerd voordat het gehele oppervlak wordt geasfalteerd.

Besturing (8)

nVent heeft speciale regelaars ontwikkeld voor de sturing van het verwarmingssysteem.

Hierbij zijn onder meer temperatuur- en vochtigheidssensoren inbegrepen, die voor een efficiënte werking van het verwarmingssysteem zorgen.

Schakelkasten (7)

nVent biedt een aantal standaard schakelkasten aan, speciaal ontworpen voor de verwarming van opritten. Elke schakelkast bevat een ingebouwde sturingseenheid, evenals zekeringen en een aardlekschakelaar (RCD).

Bijkomende onderdelen

Elektriciteitsbuizen (5, 6)

Elektriciteitsbuizen zijn vereist ter bescherming van:

- de flexibele voedingskabel
- de sensor-aansluitkabel.



Elektrische regelapparatuur

Indien er geen standaard schakelkasten van nVent worden gebruikt, moet de installatie met de volgende onderdelen worden aangevuld:

- vermogensschakelaars
- zekeringen
- aardlekschakelaar 30 mA

EN

DE

FR

PL

CZ

RU

NL

SV

NO

FI

Opslag van de mat

- Minimum installatietemperatuur is -5°C
- Opslaan bij temperaturen tussen -40°C en 45°C .
- Sla alle systeemcomponenten op een propere, droge plaats op.

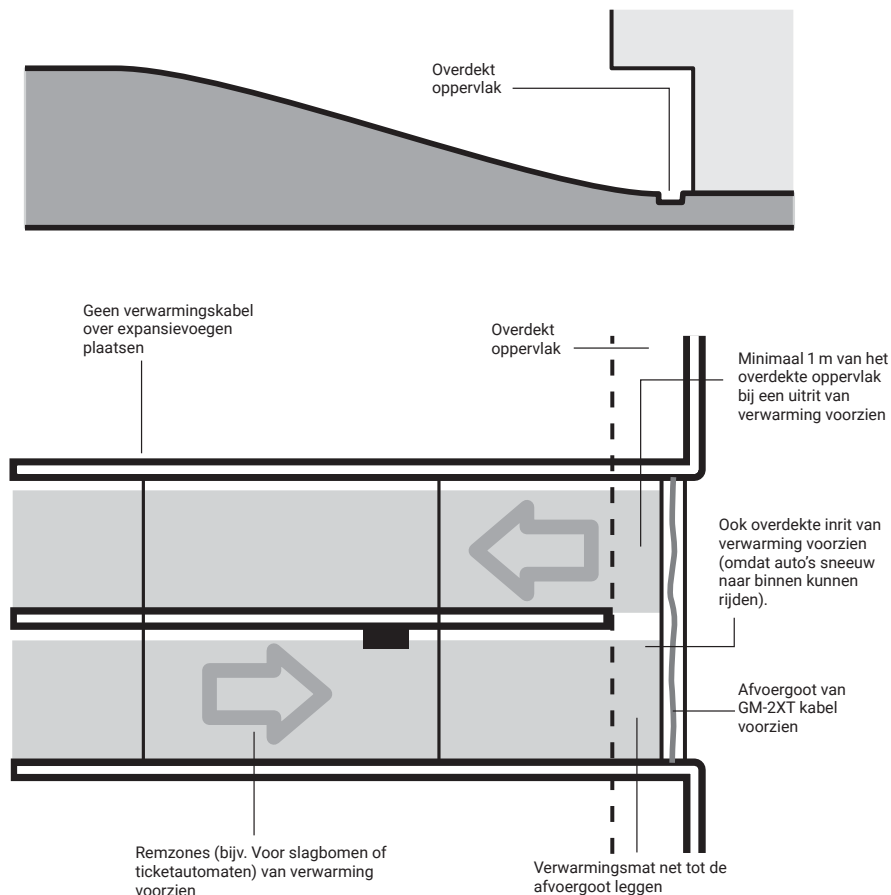
Gereedschappen

- 2500 Vdc isolatie-weerstandtester (min. 500 Vdc)
- Ohmmeter

Overwegingen bij de installatie

Te verwarmen oppervlak

Bereken exact het te verwarmen oppervlak. Houd hierbij rekening met de volgende factoren:



Controleer eerst of het te verwarmen oppervlak voldoet aan de gegevens in de ontwerp-instructies. Bepaal waar de aansluitdozen moeten worden geplaatst en controleer of de aansluitkabels lang genoeg zijn. De lengte is 5 m. Reinig de onderlaag grondig voordat de verwarmingsmatten worden geplaatst. Scherpe voorwerpen kunnen de kabels beschadigen.

De WinterGard Mat mag niet worden ingekort of gesplitst.

Vorbereiding van de ondergrond

De verwarmingsmat moet geplaatst worden op een stevige ondergrond. In zwevende structuren kan de ondergrond bestaan uit afwerkingsplaten, voorgespannen beton of een zwevende structuur met gegoten beton.

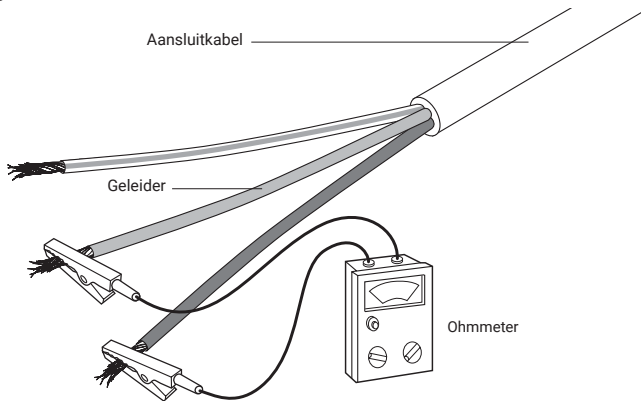
De verwarmingsmat kan op alle soorten ondergrond worden geplaatst.

Bij gegoten beton moet men ervoor zorgen dat het oppervlak glad is en dat alle scherpe voorwerpen verwijderd zijn. Stroken op een vaste onderlaag vereisen geen bijkomende warmte-isolatie. Voor het plaatsen van de temperatuur- en de vochtigheidssensor moeten de speciale voorbereidingen worden getroffen.

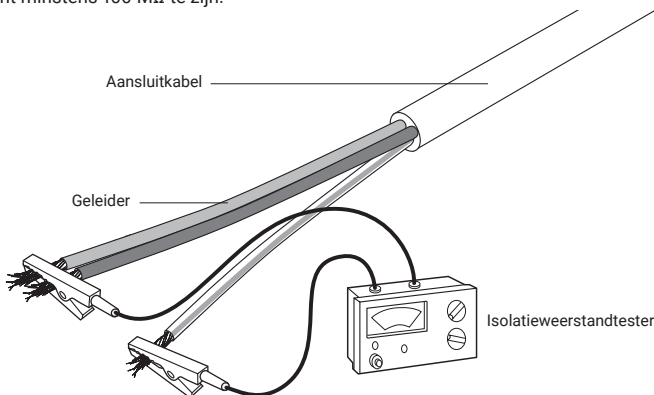
Controle van kabelweerstand en elektrische isolatie

De controle van de verwarmingsmat betreft de meting van de weerstand van de geleider en de isolatie-weerstand van de flexibele aansluitkabel. De geleiderweerstand wordt gemeten met een ohmmeter. Een afwijking van max. 10% van de nominale weerstand is toegelaten.

Zie tabel op pagina 10.



De isolatieweerstand moet gemeten worden met behulp van een 2500 Vdc (min. 500 Vdc) isolatieweerstandmeter. De waarde dient minstens 100 M Ω te zijn.



Noteer alle gemeten waarden op het meegeleverde Installatie-testverslag.



Installatie van de verwarmingsmat

Alle aansluitingen en elektrische testen moeten uitgevoerd worden door een erkend elektricien.

De verwarmingsmatten dienen voor de verwarming van opritten en toegangspaden. Voor onregelmatig gevormde oppervlakken kan de kabel losgemaakt worden van de mat om het nodige oppervlak te dekken.

- De verwarmingsmat moet worden gescheiden van andere warmtebronnen zoals lampen en schoorstenen.
- Laat het beton/asfalt voldoende drogen of uitharden nadat het verwarmingssysteem is geïnstalleerd en voordat het onder spanning wordt gezet.
- Wijzig in geen geval de lengte van de verwarmingskabel/mat
- Voorzie de kabel nooit van stroom in de vorm van een rol of kabel.
- Gebruik niet te veel kracht om aan de koude kabels te trekken, anders kan dit de warm-koudsplijting beschadigen

Zorg ervoor dat u de verwarmingskabel in de mat:

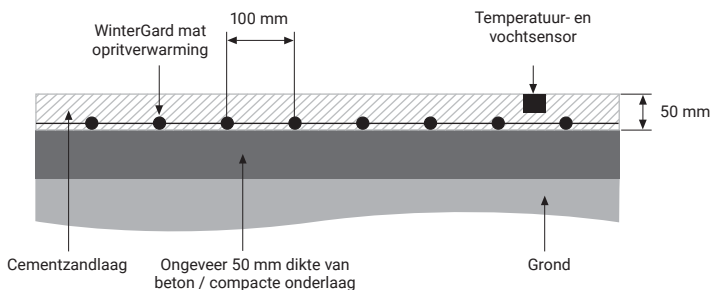
- Niet snijdt of beschadigt
- Niet overkruisend plaatst
- Niet installeert binnen 10 cm van een andere verwarmingskabel
- Niet installeert over uitzettingsvoegen of afzonderlijke betonvoegen.

De minimale kabelafstand is 10 cm.

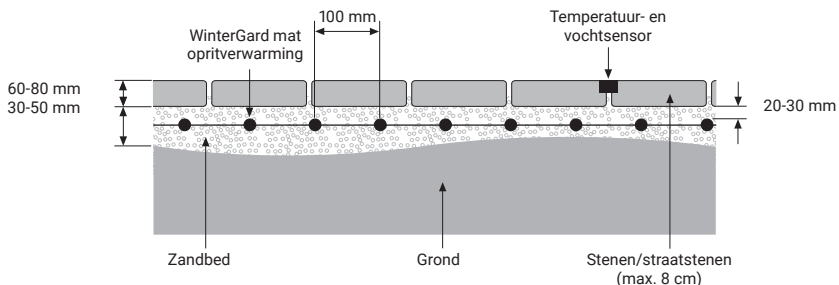
De verwarmingsmatten moeten vastgelegd worden aan het onderliggende oppervlak zodat ze bij installatie niet meer bewegen.

De aansluitkabel moet in een elektriciteitsbuis worden geplaatst. De volledige lengte van de verwarmingsmat (inclusief overgang van verwarmingskabel naar aansluitkabel) moet bedekt worden door een zand/cement-mengsel, beton, of asfalt afhankelijk van de gekozen bovenlaag.

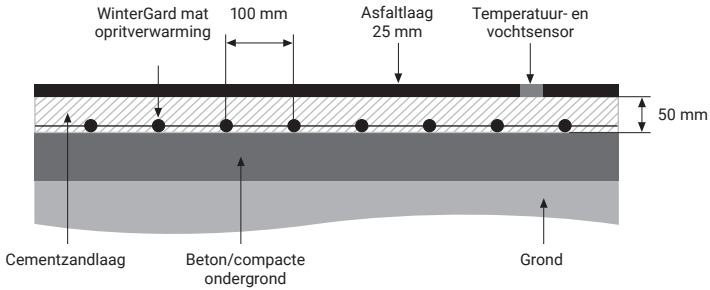
Opritverwarming in beton/cement-zand/asfalt



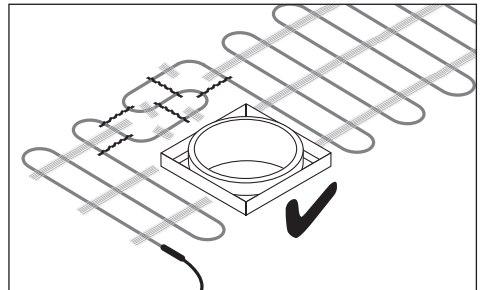
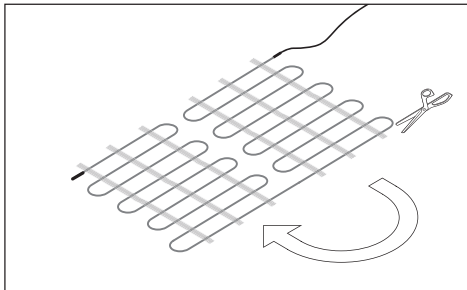
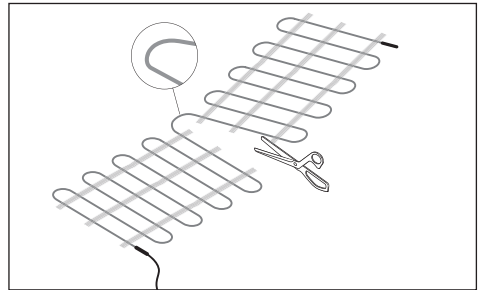
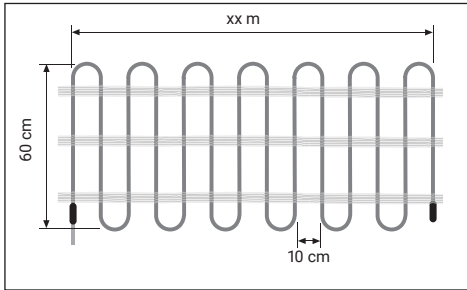
Opritverwarming met bovenlaag van tegels of straatstenen



Opritverwarming in beton/cementzand onder asfalt toplaag

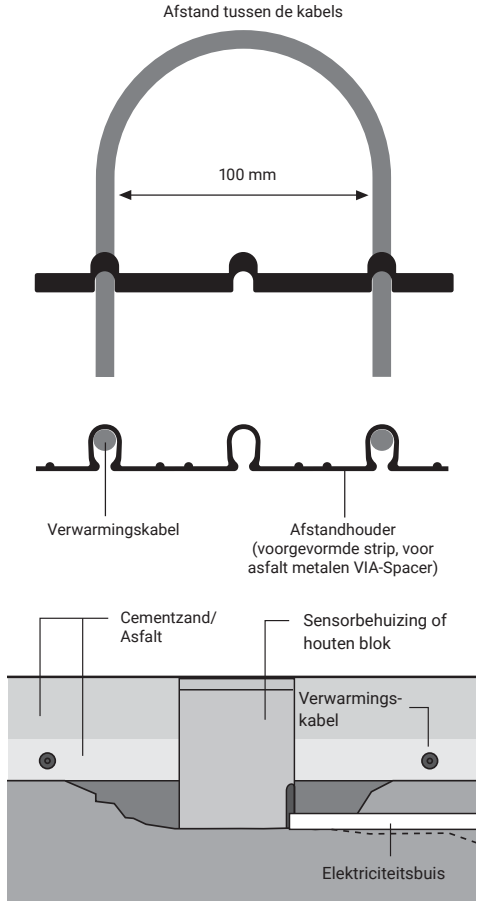


Als de verwarmingskabel losgemaakt moet worden van de mat, moet de installateur de plastic afstandhouders gebruiker om de kabelafstand overal gelijk te houden.



- EN
- DE
- FR
- PL
- CZ
- RU
- NL**
- SV
- NO
- FI

Gebruik afstandhouders om de verwarmingskabel op gelijkmatige afstand te houden



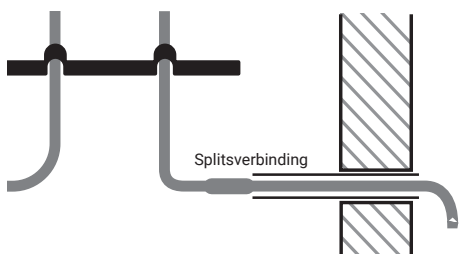
- De sensorleiding moet onder de verwarmingsmat worden gelegd

Installatie van de elektriciteitsbuis

De buis voor de aansluitkabel moet zo geplaatst worden dat de aansluiting tussen de verwarmingskabel en de aansluitkabel volledig in de plaat is ingekapseld.

De aansluitkabel moet beschermd worden door een aangepaste buis voor bescherming tegen werktuigen.

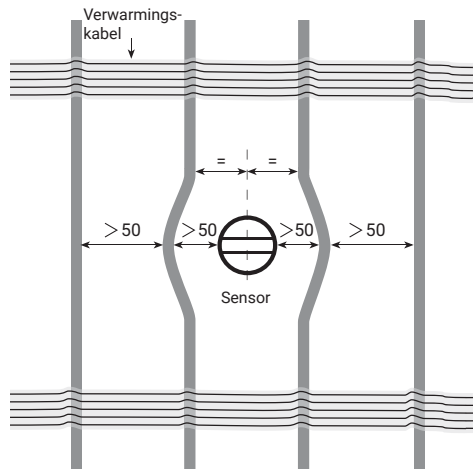
In geval van asfaltinstallatie moeten de koude leidingen worden beschermd door een geschikte doorvoerbuisk (geschikt voor korte termijnen van 240°C) en de uiteinden ervan moeten worden afgedicht zodat er geen asfalt kan binnensijpelen. Breng de koude leiding van de kabel door de buis in de aansluitdoos.



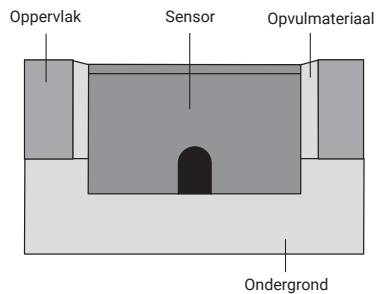
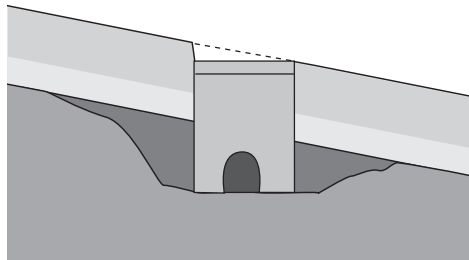
Installatie van de temperatuur- en vochtigheidssensor (3)

Installeer de temperatuur- en vochtigheidssensor volgens de meegeleverde instructies, met bijzondere aandacht voor de juiste hoogte van de sensor.

- De sensor moet in het midden tussen twee lengtes verwarmingskabel geplaatst worden.
- Voor en tijdens het storten van beton/asfalt moet een klein stuk houtblok worden geplaatst als "plaatshouder" voor de sensor.



- De sensor kabel moet ter bescherming in een metalen elektriciteitsbuis (6) zitten.
- De sensor moet loodrecht geplaatst worden, zelfs in geval van een hellend oppervlak





EN

DE

FR

PL

CZ

RU

NL

SV

NO

FI

Controle van de installatie

Controle van de verwarmingsmat

- Controleer de verwarmingskabel visueel op beschadigingen.
- Controleer of de verwarmingskabels bevestigd zijn aan de afstandhouders.
- Verifieer of de tussenruimte tussen de verwarmingskabels is gehandhaafd en de kabel uit de buurt van uitzettingsvoegen, scherpe randen, enz. blijft.
- Verifieer of de verwarmingsmat op de juiste diepte is gelegd.
- Controleer de aansluitingen visueel op correcte installatie.

Maak een schets

Teken het ontwerp van elk circuit en duid duidelijk aan waar de aansluitingen zich bevinden.

Voer de weerstandtests uit

Voer op elk circuit een weerstandtest uit om te controleren of er geen beschadigingen zijn opgetreden tijdens of na de installatie. De af te lezen isolatieweerstand moet groter zijn dan 100 MW. Noteer de waarde voor elk circuit in het Installatie-testverslag.

Installatie van de bovenlaag

Controles

Voer de volgende controles uit voordat het cement-zand of beton wordt aangebracht:

- Controleer de verwarmingskabels op tekenen van beschadiging.
- Controleer de tussenruimtes en de diepte waarop de verwarmingsmat is geplaatst, indien van toepassing.

Weerstandtests

Voer de weerstandtests uit voor elk verwarmingscircuit voordat het cement-zand of beton aangebracht wordt, om mogelijke beschadigingen die na de installatie ontstaan zijn op te sporen. Noteer de resultaten in het Installatie-testverslag.

Na het afdekken van de mat

Do de weerstandtests nadat alle cement-zand of beton is aangebracht en noteer de waarden in het Installatie-testverslag.

Afwatering met zelfregelende GM-2XT verwarmingskabel

Doel

Het verwarmingsstelsel voor afvoergooten zorgt ervoor dat smeltwater kan weglopen.

Opmerking: het verwarmingscircuit in de afvoergoot moet door dezelfde regeleenheid worden bestuurd als de andere verwarmingscircuits.

Installatie van de aansluitdoos (10)

Kies een positie:

- dicht bij de afvoergoot
- binnen indien mogelijk

Installatie van de aansluitkit (11)

Verbind de GM-2XT verwarmingskabel in de aansluitdoos volgens de instructies die bij de aansluitkit zitten.

Plaatsing van de verwarmingskabel (12)

Bescherm de verwarmingskabel tussen de aansluitdoos en de afvoergoot met een elektriciteitsbuis. Leg de kabel over de gehele lengte van de afvoergoot om er zeker van te zijn dat het smeltwater altijd weg kan.

Aanbrengen van de einddichting (13)

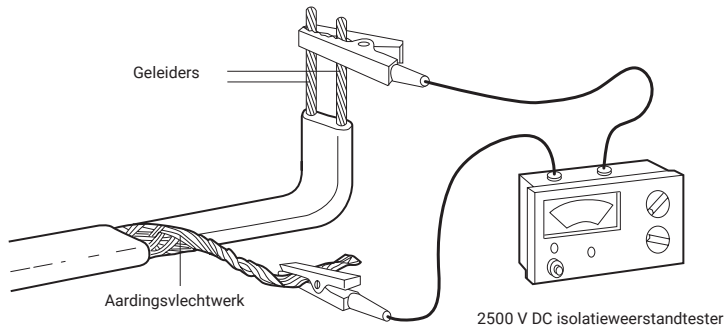
Breng de einddichting aan volgens de instructies die bij de einddichtingskit zitten.

Voer een isolatieweerstandtest uit

De isolatieweerstandtest detecteert beschadigingen van de verwarmingskabel, zoals sneetjes en perforaties. De test moet met een meetinstrument op 2500 Vdc uitgevoerd worden. Instrumenten met een lagere spanning zijn minder gevoelig en daarom niet aan te bevelen. Het instrument dient een testvoltage van minstens 500 Vdc te hebben.

Ga als volgt te werk:

- Verbind een kabel met het aardings-vlechtwerk van de verwarmingskabel.
- Verbind de andere kabel met de beide geleiders van de verwarmingskabel.
- Zet de kabel onder spanning. Er moet een weerstand van meer dan 100 MW af te lezen zijn.
- Licht de isolatiewaarde lager, dan is de kabel beschadigd. Spoor het defect indien mogelijk op en herstel het. Noteer de resultaten in het Installatie-testverslag.



Afwerking

Plaats een rooster over de afvoer om te verzekeren dat de verwarmingskabel niet beschadigd kan worden.

Opmerking: Voor het verwarmingssysteem in de afvoergoten is er een aardlekschakelaar van 30 mA vereist. Zorg ervoor dat er niet meer dan 60 m verwarmingskabel aangesloten is op elke aardlekschakelaar van 30 mA.

Afwerking

Voltooiing van de sensorinstallatie

Voltooi de installatie van de sensor (indien nodig).

Installatie van de schakelkast (7) en besturing (8)

Installeer de schakelkasten volgens de instructies van de fabrikant. Installeer de regelaars, thermostaten en bedienings- en sturingsmodules volgens de instructies van de fabrikant.

Voltooiing van de bedrading (9)

Volg de toepasselijke plaatselijke voorschriften.

Werking

De eerste keer opstarten

Elektrische vereisten

Voer alle elektrische tests uit volgens de plaatselijke voorschriften en gewoonten. Inspecteer alle kabels op conformiteit met de ontwerptekeningen. Controleer of alle veiligheidsvoorzieningen de juiste nominale waarde hebben.

Controle van de besturing

Controleer de besturing volgens de met de apparatuur meegeleverde instructies.

Weerstandtests

Voer een laatste weerstandtest uit om te verzekeren dat de aansluitkabel en de voedingskabel geen schade opgelopen hebben na de installatie.

Algemene werking en onderhoud

Het systeem heeft geen bewegende onderdelen en vereist daarom slechts een minimum aan onderhoud. De plaatselijke voorschriften en vereisten voor elektrische apparatuur moeten worden nageleefd.

Zekeringen moeten regelmatig gecontroleerd worden. Aardlekschakelaars moeten jaarlijks worden getest. Inspecteer regelmatig de bedieningselementen van het systeem. Controleer of de bedieningselementen correct functioneren.

Max. temperatuur voor de verwarmingskabel: 65°C (Voor het gieten van asfalt is 240°C tijdens korte termijn toegestaan). De installateur moet de gebruiker/eigenaar een installatietekening overhandigen.

Oplossen van storingen

⚠ WAARSCHUWING: schakel de spanning af vooraleer aan het elektrisch systeem te werken.

Probleem A: Overstroombeveiliging (zekering) wordt geactiveerd.

Mogelijke oorzaken	Oplossing
Elektrisch defect aan: <ul style="list-style-type: none"> • aansluiting • beschadigde verwarmingskabel 	Spoor het defect op en herstel het, of vervang de zekering.
Zekering te zwak	Herbereken de te verwachten stroombelasting en installeer een andere zekering (NB: zorg ervoor dat de nieuwe zekering geschikt is voor de gebruikte voedingskabel).
Zekering defect	Vervang de zekering

Probleem B: Aardlekschakelaar wordt geactiveerd

Mogelijke oorzaken	Oplossing
Vocht in de aansluitdoos	Opdrogen en dichting controleren; opnieuw afdichten indien nodig. Voer een isolatieweerstandtest uit.
Aardingslek bij: <ul style="list-style-type: none"> • aansluiting • beschadigde verwarmingskabel 	Spoor het defect op en herstel het. Reset of vervang de aardlekschakelaar..
Lekstroom te groot: voedingskabel of verwarmingskabel te lang	Corrigeer het probleem en pas het ontwerp aan.
Vermogensrelais stuitert	Vervang door een exemplaar van betere kwaliteit.
Spanningspieken in voedingsnet	Reset aardlekschakelaar. Als de toestand aanhoudt de stroomvoorziening verbeteren.
Defecte aardlekschakelaar	Vervang de aardlekschakelaar

Probleem C: IJs/sneeuw smelt niet.

Mogelijke oorzaken	Oplossing
Stroom uitgevallen door activering overstroombeveiliging of aardlekschakelaar.	Volg de instructies in A en B hierboven.
Voedingskabel onderbroken.	Spoor het defect op en herstel het.
Incorrecte instelling of bediening.	Herstel de besturing of stel de besturingselementen correct in.
Vermogensrelais niet aangepast of beschadigd	Corrigeer.

Probleem D: Sneeuw/ijs begint te smelten, maar systeem schakelt te snel uit.

Mogelijke oorzaken	Oplossing
Foute instelling of werking van de sturing.	Herstel de besturing of stel de besturingselementen correct in.

Allmänt

VIKTIGT: Alla anvisningar i denna handbok måste följas noggrant för att säkerställa korrekt funktion hos värmekabelsystemet. Installationen ska utföras enligt gällande nationella elföreskrifter.

⚠️ WARNING: nVent RAYCHEM WinterGard värmematta är en elektrisk produkt. De system i vilka värmemattan installeras måste vara korrekt konstruerade och installationsarbetet måste utföras korrekt. Följ alla anvisningar rörande systemutformning, installation, test och drift för att säkerställa korrekt funktion och minimera risken för olycksfall och brand.

HANDBOKENS OMFATTNING: I den här handboken beskrivs hur WinterGard värmematta ska installeras i betong, sand under plattor eller i asfalt, för att uppnå lång livslängd och strukturell stabilitet.

nVent erbjuder ett brett produktsortiment som är lämpliga för installation i betong och asfalt, såväl som för andra tillämpningar.

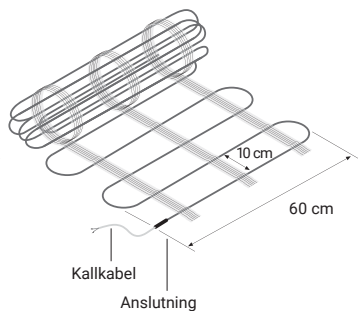
WinterGard värmematta (1)

WinterGard är en värmematta med konstant effekt avsedd för fast installation i betong, sand under plattor eller i asfalt.

Värmemattan är avsedd för 230 VAC och regleras av en separat styrning.

WinterGard levereras med påmonterad kallkabel och är färdig att installeras. Uteffekten är ca. 300 W/m², eller 27 W per meter värmekabel. Alla mattor levereras i 0,6 m bredd och i längder från 2 till 21 m. Kallkabeln är 5 m lång och ska förläggas i skyddsror.

Minsta cc-avstånd är 10 cm. Uteffekten 300 W/m² gäller vid cc-avstånd 10 cm.



Distans, anslutningsdosa (4) och matarkabel (9)

Om värmekabeln måste lossas från mattan, hjälper fästbanden (VIA-Spacer) till att bibehålla rätt cc-avstånd (10 cm). För asfalt bör man använda ett fästband av metall.

Om kallkabeln behöver förlängas, kan detta göras med hjälp av en anslutningsdosa. Anslutningen mellan automatikskåpet och anslutningsdosan ska utföras med lämplig anslutningskabel.

Vid installation i asfalt måste sensorkablarna skyddas av ett lämpligt rör (lämpligt för 240°C kortvarigt) eller läggas i underlaget under asfaltskiktet. Ledningsröret skall vara förseglat i slutet så att asfalten inte kan tränga in.

Se till att värmekabelns och den kalla ledarkabelns anslutningar (skarvförbindelse) är helt omslutna av asfalten (låt asfalten svalna till en temperatur på ca 100°C innan den hålls över skarvförbindelsen och ändtätningen) undvik lufffickor. Detta arbete måste göras innan asfalteringen av hela ytan utförs.

Reglerenhet (8)

nVent erbjuder reglerenheter speciellt avsedda för markvärme-system. De har en kombinerad temperatur-och fuktgivare för att säkerställa effektiv drift av anläggningen.

Automatikskåp (7)

nVent erbjuder ett sortiment med standardautomatikskåp som är speciellt avsedda för markvärmesystem. I varje skåp finns en inbyggd reglerenhet, säkringar och jordfelsbrytare (RCD).

Tillbehör

Skyddsror (5, 6)

Skyddsror (medföljer ej) krävs för att skydda:

- kallkabeln
- givarkabeln.



Elektrisk reglerutrustning

Om nVent standard-automatiskåp inte ska användas, krävs ytterligare utrustning för att åstadkomma en komplett anläggning:

- kontaktorer
- säkringar
- jordfelsbrytare (30 mA).

EN

DE

FR

PL

CZ

RU

NL

SV

NO

FI

Förvaring av värmemattan

- Minsta installationstemperatur är -5°C
- Förvaringstemperatur: -40 till 45°C .
- Förvara all utrustning i en ren, torr miljö.

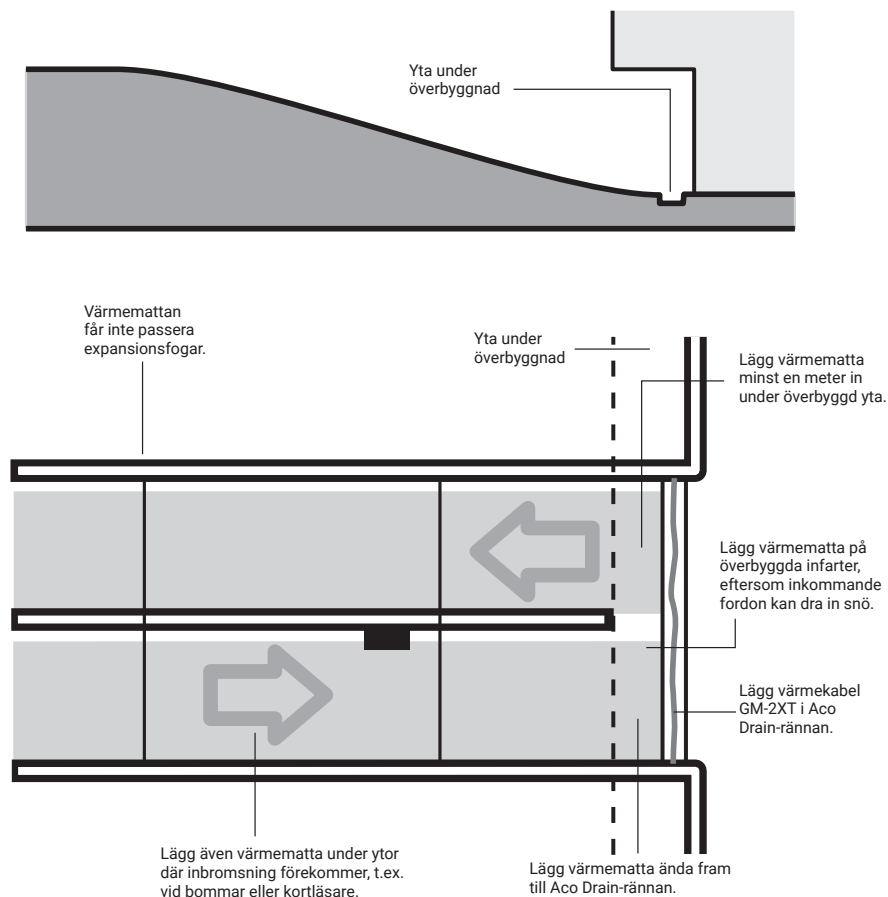
Testutrustning

- Isolationsresistansmätare (megger) med provspänning minst 500 VDC, helst 2 500 VDC.
- Ohmmeter.

Att tänka på före installation

Område som ska värmas

Fastställ exakt den yta som ska värmas upp, t.ex. hjulspår. Vid beräkningen ska nedanstående beaktas:



Se först till att den yta som ska värmas upp uppfyller alla relevanta krav. Fastställ var kopplingsboxarna ska installeras och kontrollera att anslutningskablar är tillräckligt långa.

Kalkabeln är 5 m. Skarpkantade föremål kan skada värmekabeln – rengör därför underlaget noga innan du börjar lägga ut värmemattan.

WinterGard värmematta får inte kapas eller skarvas.

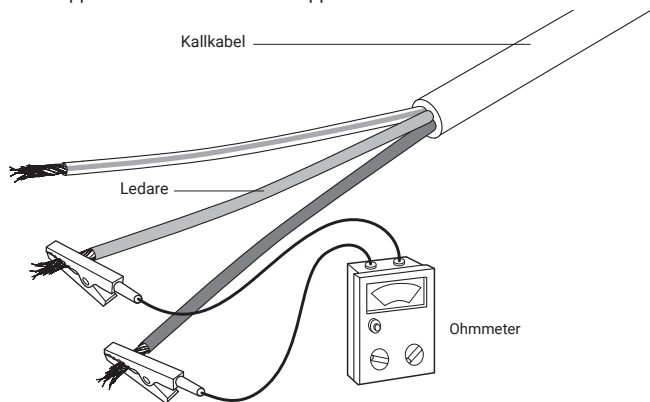
lrdningställande av underlaget

Underlaget eller bärlagret värmemattan installeras på måste vara stabilt. I byggnader och andra fribärande konstruktioner kan underlaget utgöras av prefabricerade betongelement eller platsgjuten betong.

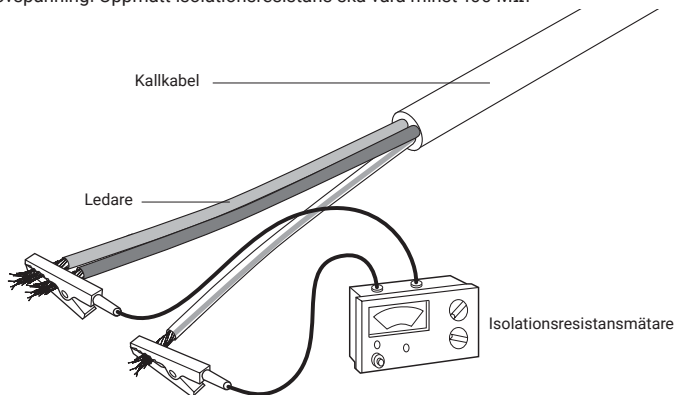
Värmemattan kan läggas på alla underlag. Om underlaget är platsgjuten betong måste man först kontrollera att ytan är slät och avlägsna alla eventuella vassa ojämnheter. Ramper som vilar på fast underlag behöver ingen ytterligare värmeisolering. Installation av temperatur- och fuktgivare ska förberedas på lämpligt sätt.

Mätning av kablarnas ledarresistans och isolationsresistans

I provningen av värmemattan ingår mätning av ledarresistans och kablarnas isolationsresistans. Ledarresistansen mäts med ohmmeter. Uppmätt resistans får avvika upp till 10 % från nominell resistans. Se tabell på sidan 10.



Isolationsresistansen mäts med en isolationsresistansmätare med minst 500 VDC provspänning, dock helst 2 500 VDC provspänning. Uppmätt isolationsresistans ska vara minst 100 M Ω .



Anteckna alla mätvärden i installationprotokollet som medföljer.

☰
EN
DE
FR
PL
CZ
RU
NL
SV
NO
FI



Installation av värmemattan

Förläggning och inkoppling av värmemattan ska utföras av behörig elektriker.

Vid installation på oregelbundet formade ytor är det tillåtet att kapa värmemattans tejp (men inte värmekabeln) för att göra det möjligt att täcka hela ytan.

- Värmekabeln ska vara avskild från andra värmekällor, t.ex. armaturer och skorstenar.
- Låt betongen/asfaltens torknings- eller härdningsperiod vara tillräcklig efter att installationen av värmesystemet slutförts och innan värmesystemet sätts i drift.
- Ändra aldrig värmekabelns/mattans längd under några omständigheter.
- Spänningsätt aldrig kabeln/mattan när den är ihoprullad.
- Använd inte överdriven kraft för att dra i kallkablarna, det kan skada varm/kall skarven.

Värmekabeln i värmemattan får inte:

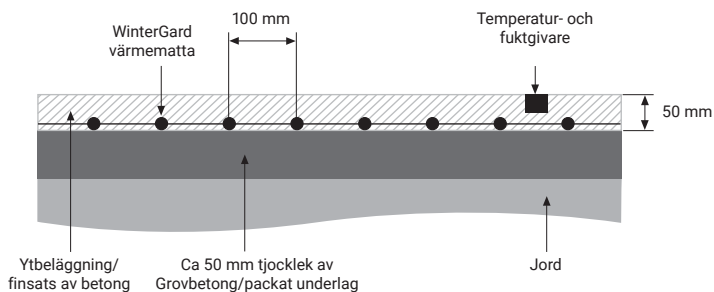
- ha skärskador eller andra skador
- korsas
- installeras inom 10 cm från någon annan värmekabeldel
- installeras över expansionsfogar.

Minsta tillåtna cc-avstånd är 10 cm

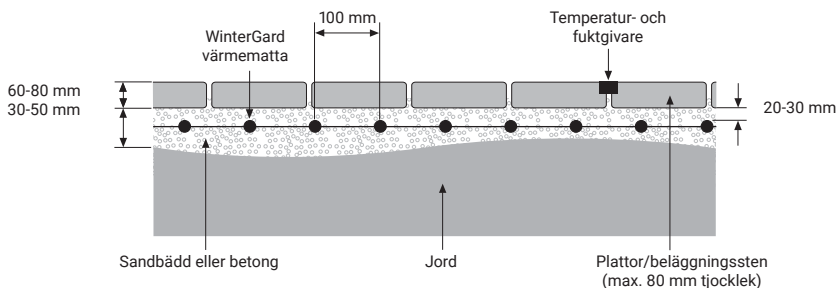
Värmemattorna ska förankras i underlaget så att de inte rör sig under installationsarbetet.

Kallkabeln ska förläggas i rör. Värmekabeln ska i hela sin längd vara täckt med betong, torr sand eller asfalt, beroende på vad slitlagret/ytskiktet ska bestå av.

Förläggning i betong eller asfalt

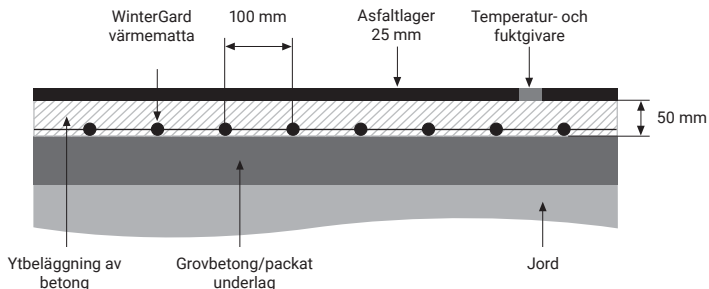


Förläggning i sandbädd förstensättning

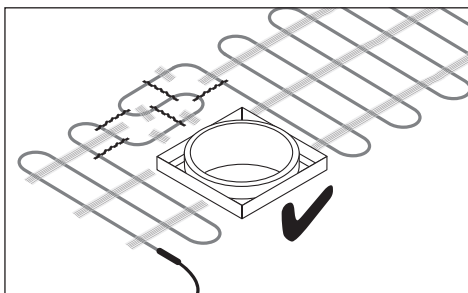
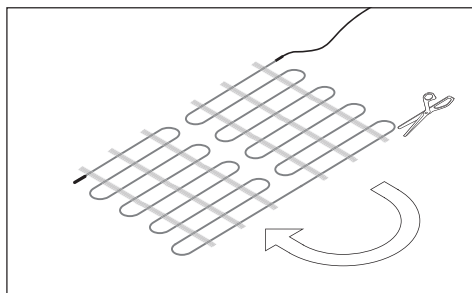
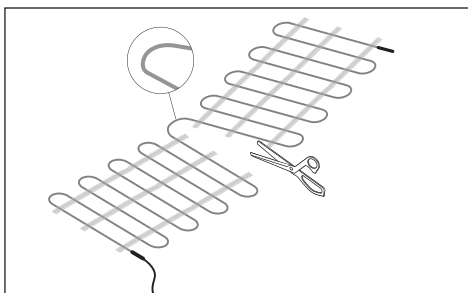
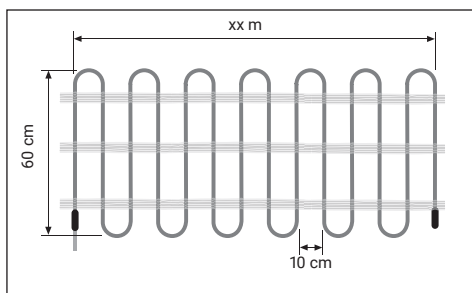


Förläggning i betong under asfaltlager

OBS! Denna produkt får inte användas direkt under asfalt

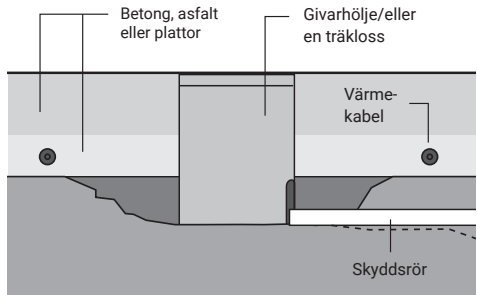
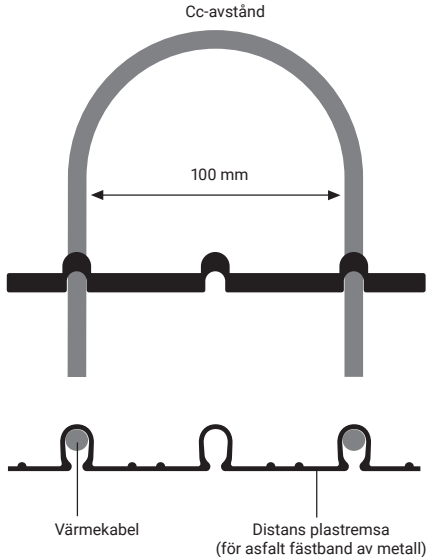


Om värmekabeln behöver lossas från mattan rekommenderar vi att fästbandet används för att bibehålla cc-avståndet. Vid förläggning i asfalt använd metallfästband (VIA-SPACER).



- EN
- DE
- FR
- PL
- CZ
- RU
- NL
- SV**
- NO
- FI

Använd fästband vid utläggning av lös värmekabel

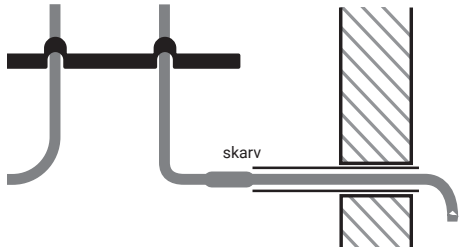


- Givarkabeln ska förläggas under det lager i vilket värmemattan ligger.

Installation av skydds rör för kallkabel

Skydds röret för kallkabeln ska förläggas så att anslutningen mellan värmekabeln och kallkabeln blir helt ingjuten. Kallkabeln ska förläggas i lämpligt skydds rör för att vara skyddad mot mekanisk åverkan.

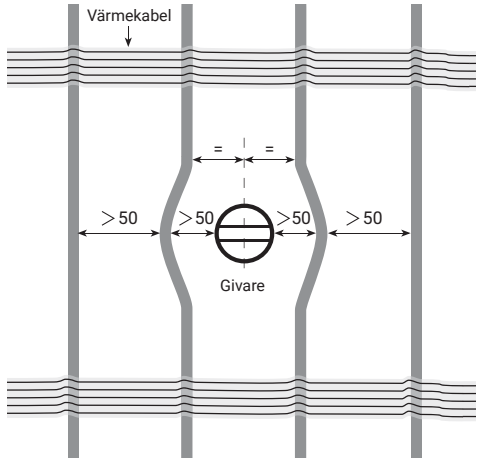
Vid asfaltsinstallation ska de kalla ledningarna skyddas av ett lämpligt rör (lämpligt för 240°C kortvarigt) och ändarna skall förseglas så att asfalt inte kan tränga in, förlägg skarven utanför röret. För in kabelns kallanslutning genom röret in i kopplingsdosan.



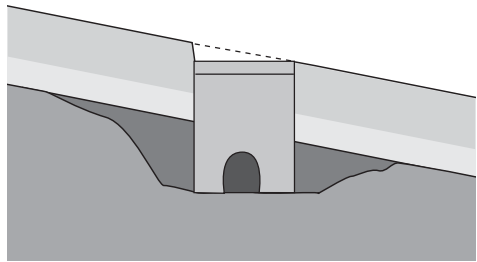
Installation av temperatur- och fuktgivare (3)

Installera temperatur- och fuktgivaren enligt de anvisningar som medföljer enheten. Se till att den ligger stadigt på rätt höjd. Om givaren har separat hölje, ska bara detta separata hölje installeras i detta skede.

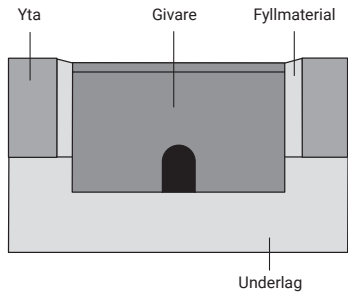
- Givaren ska placeras mitt mellan två kabelslag.
- Före och under gjutningen av betong/asfalt bör en liten bit träblock installeras som "platshållare" för sensorn.



- Givarkabeln ska förläggas i ett skyddande metallrör (6).
- Givaren ska installeras vertikalt, även på lutande underlag.



Givare





EN

DE

FR

PL

CZ

RU

NL

SV

NO

FI

Kontroll av installationen

Kontroll av värmemattan

- Kontrollera att värmemattan inte har några synliga skador.
- Kontrollera att eventuella losstagna värmekablar satts fast i fästbanden.
- Kontrollera att rätt cc-avstånd föreligger i hela installationen och att ingen del av värmemattan ligger över expansionsfogar, skarpa kanter etc.
- Kontrollera att värmemattan ligger på rätt djup.
- Kontrollera visuellt att matarkabelns ledare är korrekt anslutna.

Installationskiss

Gör en skiss av installationens layout, för varje enskild krets, och ange noggrant anslutningskablarnas position.

Isolations- och resistansmätning

Kontrollera resistansen för varje enskild krets, för att upptäcka skador som kan ha uppkommit under eller efter installationsarbetet.

Isolationsresistansen ska vara minst 100 MΩ. Anteckna de uppmätta värdena för varje krets i installationsprotokollet.

Läggning av ytlager

Kontroll

Kontrollera följande innan ytlagret läggs:

- att värmekablarna inte är skadade
- att, där så är tillämpligt, installationsdjupet och de inbördes kabelavstånden är korrekta.

Isolations- och resistansmätning

Vi rekommenderar att samtliga värmekretsar kontrollmätts omedelbart innan ytlagret läggs på, för att upptäcka skador som kan ha uppkommit efter installationen. Anteckna, i installationsprotokollet, de uppmätta resistansvärdena för varje krets.

Be installationspersonalen, innan ytlagerarbetet startar, att verifiera resistansmätvärdena. Protokollför sedan mätvärdena och skriv under installationsprotokollet.

Ytlagerarbeten

När ytlagerarbetena är utfört, kontrollmät på nytt resistansen och anteckna mätvärdena i installationsprotokollet.

Självbegränsande värmekabel GM-2XT för Aco Drain-rännor

Användningsområde

Värmekabelsystemet för dräneringsrännor är avsett att säkerställa smältvattenavrinning.

OBS! Aco Drain-rännornas värmekabelkrets ska regleras av samma reglerssystem som de andra värmekretsarna.

Installation av kopplingsbox (10)

Välj en kopplingsboxplacering som uppfyller villkoren nedan.

- Nära avloppsbrunnen.
- Inomhus om möjligt.

Installation av anslutningssats (11)

Anslut värmekabel GM-2XT i kopplingsboxen, enligt de anvisningar som medföljer anslutningssatsen.

Installation av värmekabel (12)

Förlägg värmekabeln skyddad i kabelrör mellan kopplingsboxen och dräneringsrännan. Lägg värmekabel i hela Aco Drain-rännans, så att smältvattnet alltid har fri avrinning.

Installation av ändavslutning (13)

Installera ändavslutningen enligt anvisningarna som medföljer ändavslutningssatsen.

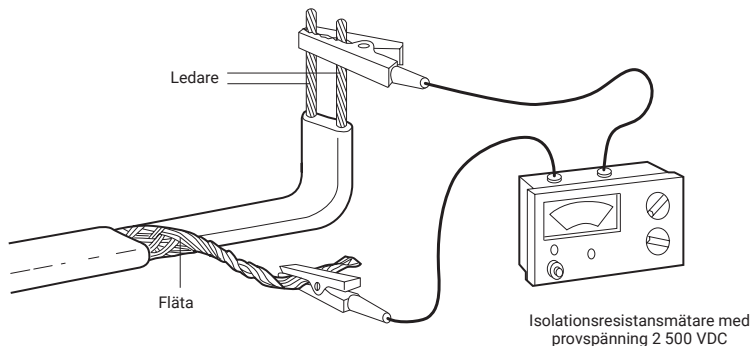
Isolations- och resistansmätning

Mät isolationsresistansen för att avslöja skador på värmekabelns isolering, till exempel skärskador och hål.

Mätningen bör göras med ett instrument vars provspänning är 2 500 VDC. Vi avråder från instrument med lägre spänning, eftersom de inte är lika känsliga. Instrument med lägre provspänning än 500 VDC får inte användas.

Gör så här.

- Anslut instrumentets ena ledare till värmekabelns skärmfläta.
- Anslut instrumentets andra ledare till värmekabelns båda ledare.
- Lägg på provspänning. Isolationsresistansen ska vara minst 100 MΩ.
- Lägre isolationsresistans än så är ett tecken på att värmekabeln är skadad.
- Lokalisera och reparera skadan om så är möjligt. Anteckna det uppmätta isolationsresistansvärdet i installationsprotokollet.



Avslutande arbeten

Installera ett skyddsgaller över Aco Drain-rännan, så att värmekabeln skyddas mot skador.

OBS! Värmesystem för Aco Drain-rännor måste förses med jordfelsbrytare (30 mA). Högst 60 m värmekabel för matas via varje 16 A säkring.

Avslutande arbeten

Givare

Färdigställ givarinstallationen (om tillämpligt).

Manöverpaneler och automatik-skåp

Installera manöverpaneler och automatikskåp enligt tillverkarens anvisningar. Installera reglerenheter, termostater och manuell styr- och manöverutrustning enligt tillverkarens anvisningar.

Elsystem

Följ gällande nationella elföreskrifter.

Handhavande i drift

Första start

Elsystemkrav

Fullborda all elektrisk provning i enlighet med tillämpliga nationella elföreskrifter. Kontrollera att allt kablage är installerat i överensstämmelse med installationsritningarna. Kontrollera att säkringar och skyddsutrustning har rätt märkström.

Kontroll av reglerenhet

Kontrollera reglerenheten enligt de anvisningar som medföljer enheten.

Isolations- och resistansmätning

Gör en avslutande resistansmätning för att kontrollera att varken anslutningsledarna eller matarkabeln blivit skadade sedan installationen slutfördes.

Drift och underhåll

Systemet saknar rörliga delar och dess underhållsbehov är därför mycket litet. Följ lokal praxis och nationella elföreskrifter för underhåll av elektrisk utrustning.

Kontrollera brytare regelbundet. Jordfelsbrytare ska testas minst en gång om året. Kontrollera systemets reglerutrustning regelbundet.

Manövrera alla reglage och kontrollera att de fungerar korrekt.

Värmemattan får inte utsättas för högre omgivningstemperatur än 65°C (För asfaltgjutning tillåts 240°C kortvarigt). Installatören ska överlämna installationsritningen till anläggningsägaren/-operatören.



Felsökningsschema

⚠ OBS! Slå ifrån matningen innan arbete på någon del av elsystemet påbörjas.

Problem A: Säkring eller överströmsbrytare löser ut.

Möjlig orsak	Åtgärd
<ul style="list-style-type: none"> • Elfel i anslutningskabel. • Elfel i skadad värmekabel. 	Lokalisera och åtgärda felet och byt säkringen/återställ brytaren.
Överströmsskyddet har för låg utlösningström.	Fastställ hur stor den korrekta driftströmmen är och installera nya skydd med rätt utlösningström. OBS! Kontrollera att matarkabelns märkström är minst lika stor som de nya skyddens utlösningström.
Överströmsskyddet är defekt.	Byt ut.

Problem B: Jordfelsbrytaren löser ut.

Möjlig orsak	Åtgärd
Fukt i kopplingsboxen.	Torka ur kopplingsboxen och kontrollera dess tätning. Byt ut tätningen om så Isolationsresistansmät systemet.
<ul style="list-style-type: none"> • Jordfel i anslutningen. • Jordfel i skadad värmekabel. 	Lokalisera och åtgärda felet och återställ/eller byt jordfelsbrytaren.
För hög läckström på grund av för lång matarkabel eller värmekabel.	Åtgärda problemet och gör om anläggningens utformning.
Kontaktorstuds.	Byt till en bättre kontaktor.
Spänningsspikar i matande elnät.	Återställ jordfelsbrytaren. Om problemet kvarstår, måste nätspänningskvaliteten förbättras eller ett annat elnät användas.
Jordfelsbrytaren är defekt.	Byt ut.

Problem C: Is och snö smälter inte undan.

Möjlig orsak	Åtgärd
Nätspänningsbortfall på grund av utlöst överströmsskydd eller jordfelsbrytare.	Samma som vid problem A och B ovan.
Ledaravbrott.	Lokalisera och reparera.
Funktionsfel i eller felaktig inställning av reglersystemet.	Reparera reglersystemet och/eller ställ in det korrekt.
Fel kontaktorstorlek eller skadad kontaktor.	Åtgärda.

Problem D: Is- och snösmältning startar, men stängs av för tidigt.

Möjlig orsak	Åtgärd
Funktionsfel i eller felaktig inställning av reglersystemet.	Reparera reglerenheten och/eller ställ in den korrekt.

Generelt

VIKTIG: Alle instruksjoner i denne manualen må følges nøye for å sikre at varmesystemet fungerer som det skal. Installasjonen må også være i samsvar med de lokale krav til elektriske varmesystem.

⚠ ADVARSEL: nVent RAYCHEM WinterGard-matten er en elektrisk enhet som må legges ut og installeres riktig. Følg alle oppsett-, installasjons-, testings- og betjeningsinstruksjoner for å sikre riktig drift og forhindre elektrisk støt og brannfare.

BRUKSOMRÅDE: Denne manualen fokuserer på installeringen av WinterGard-matten i avrettingslag og sand for varig strukturell stabilitet. nVent leverer en annen serie av passende produkter for innstøping i betong/semest, asfalt eller annet.

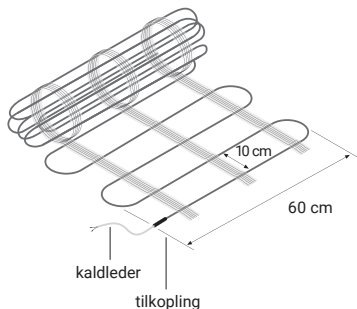
Varmesystem med WinterGard-matte (1)

WinterGard Varmematten er en konstant strømførende varmeanordning for permanent installasjon i betong, sement eller sand under brosteins-/hellebelegninger eller i asfalt.

Det er et 230 Vac-system regulert av en betjeningsenhet. (Betjeningsenhet leveres separat.)

WinterGard-matten er en forhåndsavgrenset og installasjonsklar varmematte med 1 kaldledertilslutning og en angitt effekt på omtrent 300 W per kvadratmeter eller 27 W per meter varmekabel. Alle matter har en bredde på 0,6 m og finnes i lengder fra 2 m opp til 21 m. Kaldlederkabelen har en lengde på 5 m, og bør installeres i et ledningsrør.

Kabelavstand er 10 cm. Med 10 cm avstand vil effekten være 300 W/m².



Avstandsstykke, koplingsboks (4) og tilførselsleder (9)

Når det er nødvendig å løsne varmekabelen fra maten, vil plastremmene (VIA-Strips-PL) hjelpe til med å opprettholde riktig avstand (10 cm). For asfalt bør man anvende et festband av metall

Forlenging av kaldlederne må gjøres i en koplingsboks. Koplingen mellom betjeningspanel og koplingsboks gjøres med en passende tilførselsleder.

For installasjon i asfalt må sensorkablene beskyttes med et egnet rør (egnet til 240°C kort tid) eller legges under asfaltlaget i underlaget under. Rørrøret er forseglet i enden slik at asfalten ikke kan sive inn.

Sørg for at varmekabel- og kaldledningskabelforbindelsen (skjøteskjøt) er helt omsluttet av asfalten (Ø30) (la asfalten avkjøles til en temperatur på ca. 100°C før den helles over skjøteskjøten og endeforseglingen) og uten luftlommer. Dette arbeidet må gjøres før asfaltstøping av hele overflaten skal utføres.

Betjening (8)

nVent tilbyr en betjeningsenhet som er spesialutviklet for varmeutstyr for ned/oppkjørsler. De har innebygde kombinerte temperatur- og fuktighetsfølere for å sikre effektiv drift systemet.

Paneler (7)

nVent tilbyr en rekke spesialutviklede paneler for varmeutstyr for ned/oppkjørsel. Hvert panel inneholder en innebygd betjeningsenhet, samt kretsbytere og en jordfeilbryter (RCD).

Tilleggskomponenter

Ledningsrør (5, 6)

Ledningsrør (ikke inkludert) er påkrevd for å beskytte:

- kaldlederen
- følerens tilslutningsleder



Elektrisk kontrollutstyr

Hvis nVent paneler ikke brukes, kreves følgende komponenter for å komplettere systemet:

- kontaktorer
- kretsbytere
- jordfeilbryter på 30 mA.

Lagring av matten

- Minimum installasjonstemperatur er -5°C
- Temperaturspenn ved lagring: -40°C to $+45^{\circ}\text{C}$
- Lagre alle systemkomponenter på et rent, tørt sted.

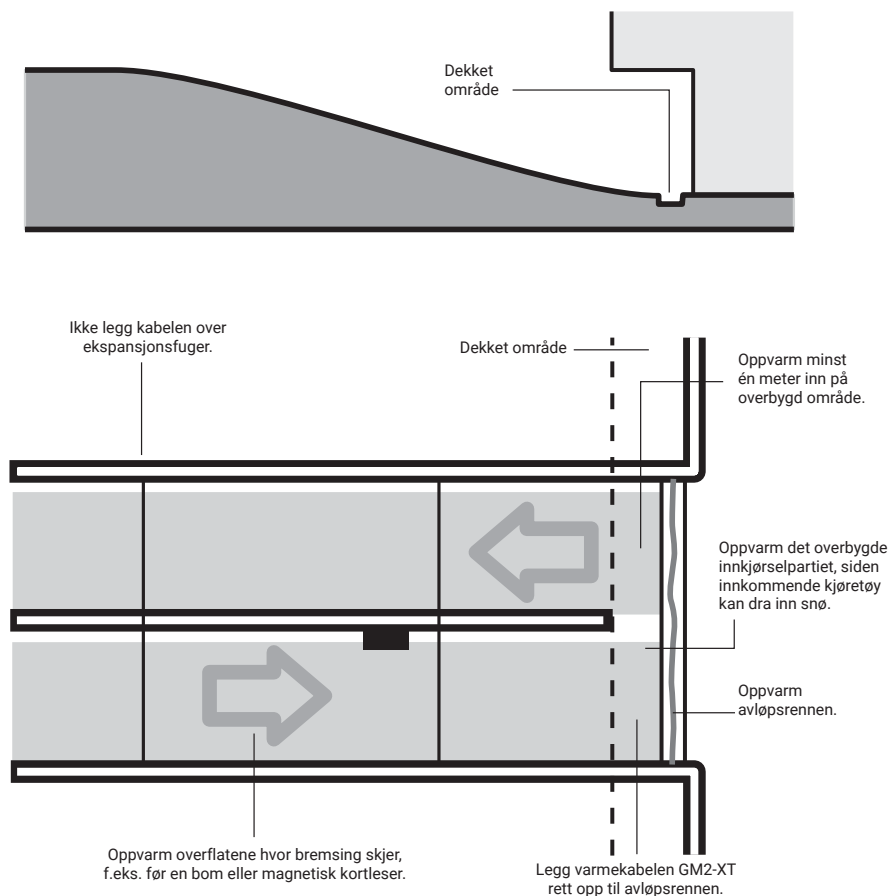
Testutstyr

- 2500 Vdc isolasjonsmotstandstester (min. 500 Vdc)
- Ohmmeter

Hensyn ved utlegging

Område som skal oppvarmes

Fastslå det eksakte området som skal oppvarmes, f.eks. hjulspor. Ta hensyn til følgende:



Forsikre deg først om at området som skal snøsmeltes/tines, oppfyller alle krav. Bestem hvor koplingsboksene skal installeres, og sjekk at kaldenden er lange nok.

Lengden er 5 m. Kost underlaget nøye før du starter installasjonen av varmematte, siden skarpe gjenstander kan skade varmekabelen.

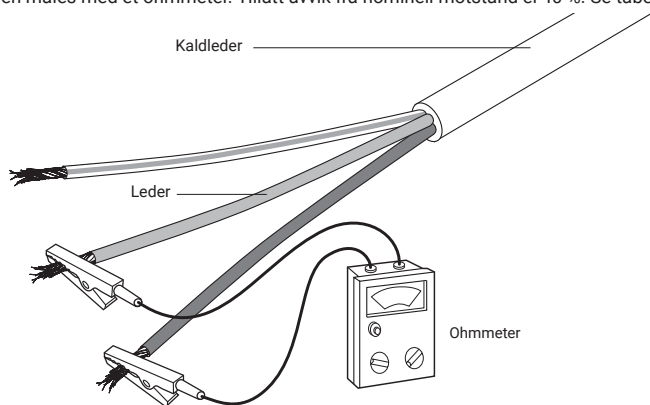
WinterGard-matten må ikke avkortes eller deles.

Klargjøring under overflaten

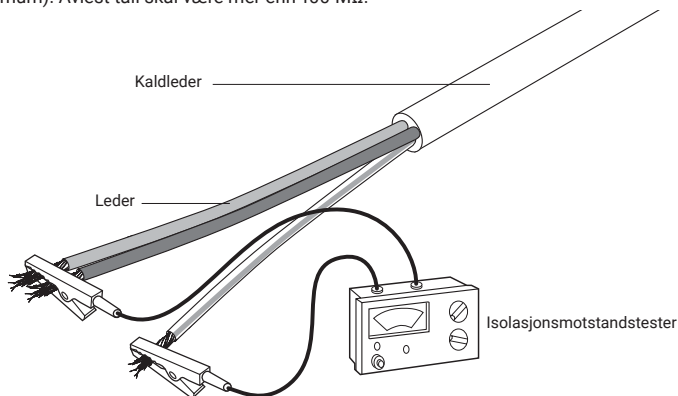
Varmematten skal installeres på en stabil flate. I utsatte strukturer kan underlaget bestå av ferdigstøpte heller, spennbetong eller ferdigstøpt struktur av betong. Varmematten kan legges på alle typer lag under et topplag. Når det gjelder betong, forsikre deg om at overflaten er jevn og at alle skarpe gjenstander er fjernet. Ned/oppkjørsler på et fast underlag krever ingen kuldeisolasjon i tillegg. Gjør de riktige forberedelsene for å installere temperatur- og fuktighetsføleren.

Kabelmotstands- og isolasjonsmotstandstest

Testing av varmematten innebærer måling av ledermotstanden og kabelens elektriske isolasjonsmotstand. Ledermotstanden måles med et ohmmeter. Tillatt avvik fra nominell motstand er 10 %. Se tabell på side 10.



Isolasjonsmotstanden skal måles ved hjelp av en isolasjonsmotstandstester på 2500 Vdc (500 Vdc minimum). Avlest tall skal være mer enn 100 M Ω .



Registrer alle målte verdier på skjemaet for installasjonstesting.



Installasjon av varmematte

All kobling og elektrisk testing skal utføres av en kvalifisert elektriker. Varmemattene skal installeres for oppvarmes av ned/oppkjørsel og innfartsvei. For uregelmessig formede områder er det akseptabelt å kutte mattens tape (ikke varmekabelen) for å kunne dekke hele området.

- Varmekabelen bør skilles fra andre varmekilder.
- Tillat tilstrekkelig tørking eller herdeperioden for betongen/asfalten etter installasjon av varmesystemet og før energi til varmesystemet.
- Endre aldri lengden på varmekabelen/matte under noen omstendigheter
- Sørg aldri for strømforsyning i spoleform av kabelen og rulleformen til mattem.
- Ikke bruk overdreven kraft for å trekke de kalde ledningene, ellers kan det skade den varme-kalde skjøten.

Varmekabelen inni mattem skal imidlertid:

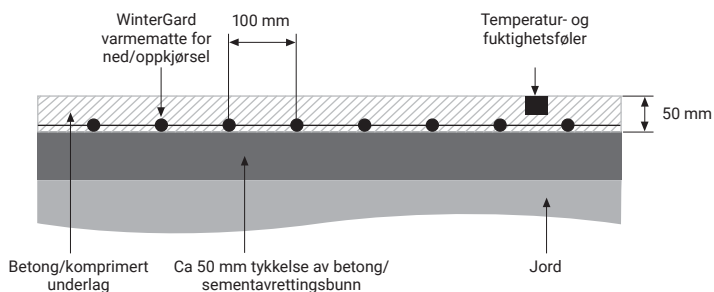
- ikke kuttes eller skades,
- ikke krysses,
- ikke installeres nærmere en annen varmeseksjon enn 10 cm,
- ikke installeres på tvers ekspansjonsfuger eller separate betongheller.

Minste CC avstand er 10 cm

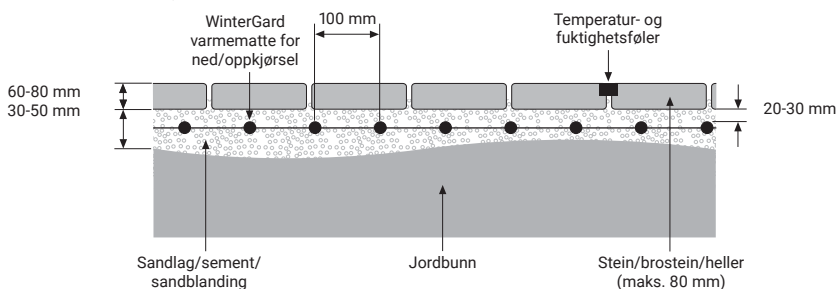
Varmemattene må festes sikkert til den underliggende overflaten for å hindre bevegelse under installeringen.

Kaldlederkabelen skal beskyttes i et ledningsrør. Hele varmekabelen skal dekket av en miks av våtsand og sement, avretting, tørr sand eller asfalt, avhengig av overflatemateriale.

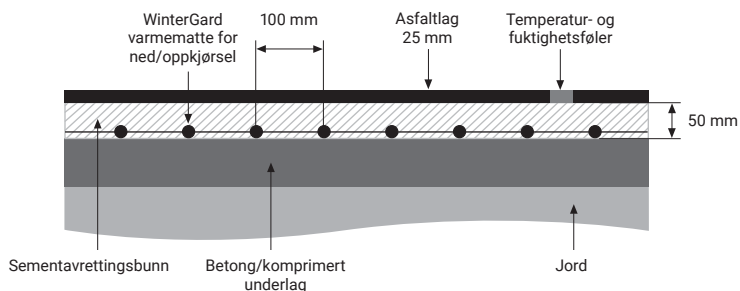
Oppvarming av ned/oppkjørsel innstøpt i sementavretting/asfalt



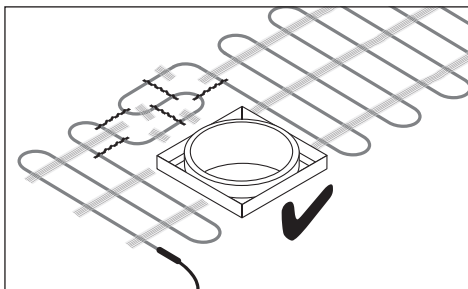
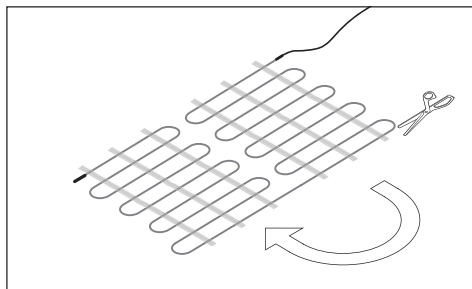
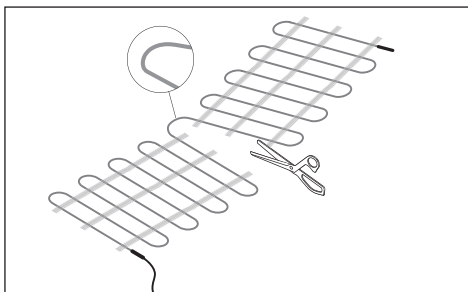
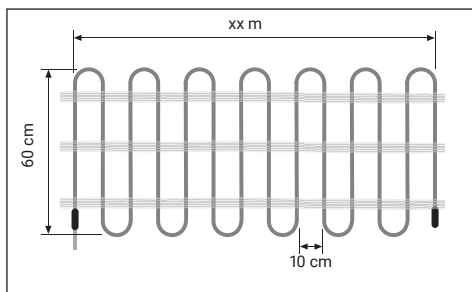
Oppvarming av ned/oppkjørsel med topplag av stein eller brostein/heller



Oppvarming av ned/oppkjørsel innstøpt i betong-/sementavretting med topplag av asfalt



Hvis varmekabelen må løsnes fra matten, bør installatøren bruke avstandstykket i plast for å opprettholde kabelavstanden.

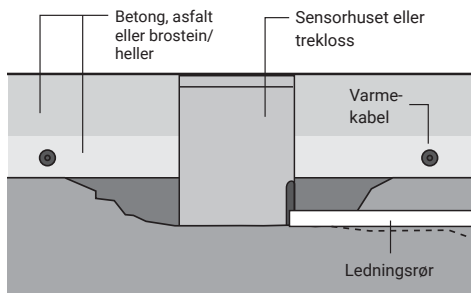
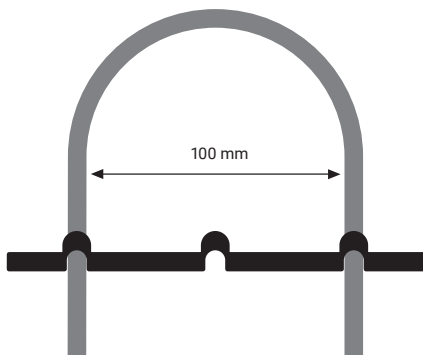


- EN
- DE
- FR
- PL
- CZ
- RU
- NL
- SV
- NO**
- FI



Bruk avstandsstykker for å plassere løse varmekabel

Leggingsavstand som oppgitt



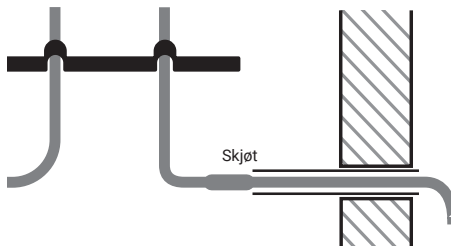
- Følerlederen skal trekkes under laget sammen med varmematten.

Installasjon av ledningsrør for kaldkabel

Kaldkabelens ledningsrør skal legges slik at koplingen mellom varmekabel og kaldkabel er fullstendig nedstøpt i betongen.

For mekanisk beskyttelse, skal kaldlederen beskyttes av et passende ledningsrør.

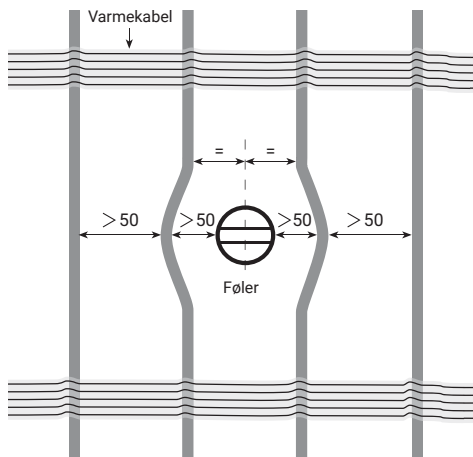
Ved asfaltinstallasjon bør de kalde ledningene beskyttes med et egnet ledningsrør (egnet til 240°C på kort sikt) og endene forsegles slik at asfalten ikke trenger inn. Ta kaldledningen til kabelen gjennom ledningsrøret inn i koblingsboks.



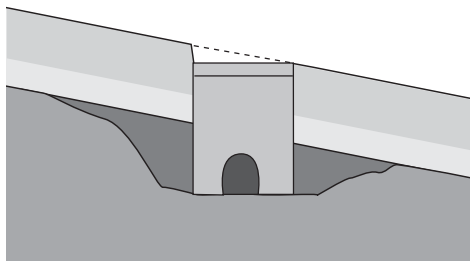
Installasjon av temperatur- og fuktighetsføler (3)

Installer temperatur- og fuktighetsføleren i samsvar med instruksjonen vedlagt enheten. Vær sikker på at den er festet i riktig høyde. For følere med separat kabinett og føler, installer bare kabinettet på dette stadiet.

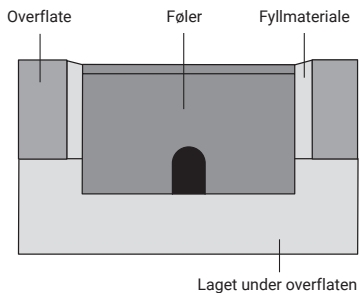
- Føleren skal plasseres i midten mellom varmekabelleggingene.
- Før og under betong-/asfaltstøping bør et lite stykke trekloss installeres som "plassholder" for sensoren.



- Følerlederen skal beskyttes av et ledningsrør av metall (6).
- Føleren skal monteres vertikalt, selv på skrånende overflater.



Føler





Kontroller installasjonen

Kontroller varmematten

- Kontroller varmematten visuelt for skader.
- Kontroller at den løsnede varmekabelen er festet til avstandsstykkene.
- Forsikre deg om at leggingsavstanden er opprettholdt og at varmematten er lagt unna ekspansjonsfuger, skarpe kanter, etc.
- Forsikre deg om at varmematten er installert på riktig dybde.
- Kontroller tilslutningslederne visuelt for korrekt installasjon.

Lag en utleggingskisse -eller ta bilde til dok

Registrer utleggingen av hver krets, spesielt med tanke på plasseringen av tilslutningslederne.

Utfør motstandstestene

Utfør motstandstestene på hver krets for å finne eventuelle skader som kan ha oppstått under eller etter installasjonen. Avlest tall for isolasjonsmotstanden må være større enn 100 MΩ. Registrer verdien for hver krets på skjemaet for installasjonstesting.

Legging av topplag

Kontroller

Utfør følgende kontroller før legging av topplaget:

- Se etter skader på varmekabelen.
- Kontroller avstanden og dybden under overflaten for varmekabelen, hvis nødvendig.

Motstandstester

Det er tilrådelig å utføre motstandstestene på alle varmekretser like før topplaget legges for å finne eventuelle skader som kan ha oppstått etter installasjonen. Registrer motstanden på hver varmekrets på skjemaet for installasjonstesting.

Før topplaget legges skal installatørene bekrefte motstandsresultatene, registrere de målte verdiene og signere skjemaet for installasjonstesting.

Etter at topplaget er lagt

Etter ferdigstilling av topplaget utføres motstandstester og verdiene registreres på skjemaet for installasjonstesting.

Varmesystem for drenering med selvregulerende varmekabel GM-2XT

Formål

Varmesystemet for Aco Drain-renne sikrer at smeltevann kan renne bort.

Merk: Kretsen for Aco Drain-renne skal kontrolleres av samme kontrollsystem som de andre varmekretsene.

Installer koplingsboks (10)

Velg plassering:

- nærme avløpet.
- innendørs hvis mulig.

Installer tilslutningsutstyr (11)

Terminer GM-2XT varmekabelen i koplingsboksen i samsvar med instruksjonene vedlagt tilslutningsutstyret.

Utlegging av varmekabel (12)

Beskytt varmekabelen med beskyttelse rør mellom koplingsboksen og avløpet.

Legg varmekabel i hela Aco Drain-rennans lengd, slik at smeltvannet alltid har fri drenningsvei

Installering av endeforseglingen (13)

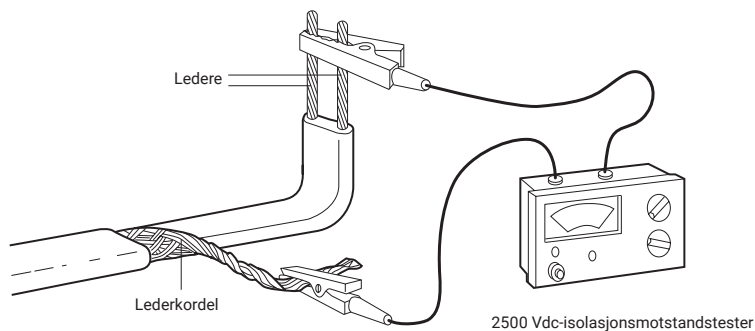
Installer endeforseglingen i samsvar med instruksjonene vedlagt endeforseglingsutstyret.

Utfør en isolasjonsmotstandstest

Isolasjonsmotstandstesten finner skader som kutt i eller hull på varmekabelen. Den skal utføres med hjelp av et 2500 Vdc-instrument. Instrumenter med lavere spenning er mindre følsomme og anbefales ikke. Instrumentet skal ha en testspenning på minst 500 Vdc.

Gå frem på følgende måte:

- Koble en leder til varmelederfordelen.
- Koble den andre lederen til begge varmelederne.
- Tilfør spenning. Motstandsavlesningen skal være større enn 100 MΩ.
- Hvis isolasjonsmotstanden er mindre enn dette, kan varmeren være skadet.
- Der det er mulig, finn feilen og reparer. Registrer isolasjonsmotstandsverdien på skjemaet for installasjonstesting.



Ferdiggjøring

Installer et gitter over avløpet for å sikre at varmekablene ikke skades.

Merk: En 30 mA-jordfeilbryter er påkrevd for dreneringsvarmesystemet. Sikre at ikke mer enn 60 m varmekabel er tilkoppelt hver 16 A sikring.

Ferdiggjøring

Fullfør føler

Fullfør installasjonen av føleren (der det er nødvendig).

Installer panel og kontroller

Installer de elektriske panelene i samsvar med instruksjonene fra fabrikanten. Installer betjeningsenheter, termostater og håndstyringsutstyr i samsvar med fabrikantens instruksjoner.

Fullfør ledningsnett og system

Følg gjeldende lokale forskrifter.

Drift

Første oppstart

Elektrisitetsskrav

Fullfør all elektrisk testing, og følg gjeldende lokal praksis og lokalt regelverk. Kontroller at alle ledninger er lagt slik det er beskrevet på oversiktstegningene. Kontroller at alle beskyttelsesinnretninger og brytere har riktig dimensjonering.

Kontrollersjekk

Sjekk kontrolleren i samsvar med instruksjonene som følger med enheten.

Motstandstester

Utfør en avsluttende test for å sikre at tilslutningsledningen og tilførselskabelen ikke har blitt skadet etter installasjonen.

Generell drift og vedlikehold

Systemet har ingen bevegelige deler og krever lite vedlikehold. Lokalt vedlikeholdsregelverk og andre krav til elektrisk utstyr skal overholdes. Kretsbytere bør sjekkes periodisk. Jordfeilbrytere bør testes minimum en gang i året.

Foreta regelmessige inspeksjoner av systemkontroller. Prøv kontrollene for å se at de fungerer som de skal.

Kabelen må ikke utsettes for temperaturer over 65°C (En kortidstemperatur på 240 grader er tillatt ved legging av asfalt). Installatør må gi operatør/eier oversiktstegningen over hvordan kabelen er lagt.



Feilsøkingsguide

⚠ ADVARSEL: Isoler strømtilførselen før du arbeider med deler av det elektriske systemet.

Problem A: Jordfeilautomaten eller overbelastningsbryteren slår ut (kretsbyrter)

Sannsynlige årsaker

Utbedring

Elektrisk feil i:

- tilslutningsleder
- skadet varmekabel.

Finn og rett opp feilen, og nullstill eller slå på jordfeilautomaten

Underdimensjonert beskyttelse.

Fastslå igjen hva belastningen kommer til å være, og installer ny beskyttelse (NB: Hvis beskyttelsen blir erstattet, må du sikre at den er kompatibel med tilførselskabelen.

Defekt beskyttelse.

Erstatt.

Problem B: jordfeilbryteren svikter.

Sannsynlige årsaker

Utbedring

For mye fukt i koplingsboksen.

Tørk av og sjekk forseglingen, erstatt om nødvendig. Utfør en isolasjonsmot-standstest.

Jordfeil i:

- koplingen
- skadet varmekabel.

Finn og rett opp feilen, og nullstill eller erstatt jordfeilbryteren.

Krypstrøm for høy:

Strømkabel eller varmekabel for lang.

Rett opp problemet, og legg ut på nytt.

Kontaktorprelling

Erstatt med en kontaktor av høyere kvalitet.

Spenningsspisser i strømforsyningsnettverket.

Nullstill jordfeilbryteren. Hvis tilstanden vedvarer, bruk ren strømforsyning.

Defekt jordfeilbryter.

Erstatt.

Problem C: Is/snø smelter ikke.

Sannsynlige årsaker

Utbedring

Tap av matestrøm pga. overbelastning i jordfeilbryteren.

Følg prosedyrene beskrevet i A og B ovenfor.

Tap av kontinuitet i tilførselskabelen.

Finn og rett opp feilen.

Feil innstilling eller feil i driften av systemkontroller.

Reparer styresystemene eller still inn styresystemene/kontrolleren riktig.

Feil kontaktorstørrelse eller skadet kontaktor.

Rett opp.

Problem D: Is/snø begynner å smelte, men systemet slår seg av for tidlig.

Sannsynlige årsaker

Utbedring

Feil innstilling eller feil i driften av styresystemene/kontrolleren.

Reparer styresystemene/kontrolleren eller still inn styresystemene/kontrolleren riktig.

Yleistä

TÄRKEÄ HUOMAUTUS: Noudata tämän käyttöoppaan ohjeita tarkasti lämmitysjärjestelmän kunnollisen toiminnan varmistamiseksi. Huomioi asennuksessa myös sähkölämmitysjärjestelmiä koskevat paikalliset vaatimukset.

VAROITUS: WinterGard sulanapitomatto on sähkölaite, jonka käytön suunnittelu ja asennus on suoritettava oikein. Noudata suunnittelu-, asennus-, testaus- ja käyttöohjeita oikean käytön varmistamiseksi ja sähkövikojen ja tulipalon vaaran välttämiseksi.

PUITTEET: Tässä käyttöoppaassa keskitytään WinterGard sulanapitomaton asennukseen betoniin ja hiekkaan pitkäaikaisen rakenteellisen kestävyuden saavuttamiseksi.

nVent tarjoaa erilaisia betoniin, asfalttiin ja muihin materiaaleihin sopivia tuotteita.

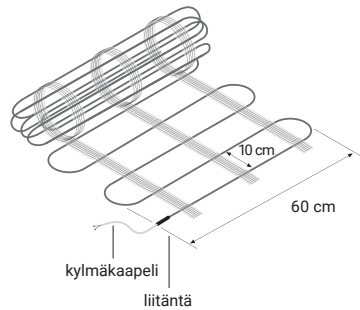
WinterGard sulanapitomatto (1)

WinterGard sulanapitomatto on betoniin tai asfaltin alle pysyvästi asennettava vakiovastuslämpömatto.

Järjestelmää (230 V AC) ohjataan säätöyksiköllä. (Säätöyksikkö tilataan erikseen.)

WinterGard sulanapitomatto on valmiiksi päätetty, asennusvalmis lämpömatto. Yhdellä kylmäkaapelilla kytkettävän maton neliöteho on noin 300 W/m² tai 27 W/m kaapelia kohti. Kaikki matot ovat 0,6 m leveitä ja pituudeltaan 2 - 21 metriä. Suojaputkeen asennettavan kylmäkaapelin pituus on 5 metriä.

Kaapelin asennusväli on 10 cm. Tällä asennusväliillä neliötehoksi saadaan 300 W/m².



Kiinnitysnauha, kytkentärasia (4) ja syöttökaapeli (9)

Jos lämpökaapeli pitää irrottaa matosta, esim. muoviset nippusiteet (VIA-Strips-PL) auttavat säilyttämään oikean asennusvälin (10 cm). Asfaltissa on käytettävä metallista kiinnitysnauhaa.

Kylmäkaapelin jatkaminen pitää tehdä kytkentärasialla. Ohjauskeskus ja kytkentärasia yhdistetään sopivalla syöttökaapelilla.

Asfalttiin asennettaessa anturikaapelit on suojattava sopivalla suojaputkella (joka kestää lyhytaikaisesti 240°C:n lämpötilaa) tai ne on asennettava asfalttikerroksen alla olevaan alustaan. Anturiputki tiivistetään päädyistä, jotta asfaltti ei pääse vuotamaan sisään.

Varmista, että lämpökaapelin ja kylmäkaapelin liitokset (jatkos) ovat täysin asfaltin peitossa (Ø30 cm) Huomaathan, että jatkosten päälle tulava asfaltti pitää jäädyttää +100°C asteiseksi ennen asentamista. Tee kaikki nämä työvaiheet ennen lopullisen asfaltin asentamista. Tärkeä huomautus! Lämpökaapelin ympärille ei saa jäädä ilmataskuja, niissä on ylikuumenemisen vaara.

Ohjausyksikkö (8)

nVent tarjoaa ajoluisien lämmitysratkaisuihin suunniteltuja ohjausyksiköitä. Niihin on yhdistetty lämpötila- ja kosteusanturit, jotka varmistavat järjestelmän tehokkaan toiminnan.

Kesukset (7)

nVentilla on valikoima ulkoaluiden sulanapitoihin tarkoitettuja keskuksia. Kaikki kesukset sisältävät ohjausyksikön, johdonsuojaa-automatit ja vikavirtasuojakytkimet (RCD).

Muita tuotteita

Suojaputket (5, 6)

Suojaputket (eivät sisälly) suojaavat

- kylmäkaapelia
- anturikaapelia



Sähköiset ohjauslaitteet

Jos asennuksessa ei käytetä nVentin keskuksia, järjestelmän viimeistelyyn tarvitaan seuraavia tarvikkeita:

- kontaktorit
- johdonsuoja-automaatit
- vikavirtasuojakytkimet (RCD) 30 mA.

Lämpömaton säilytys

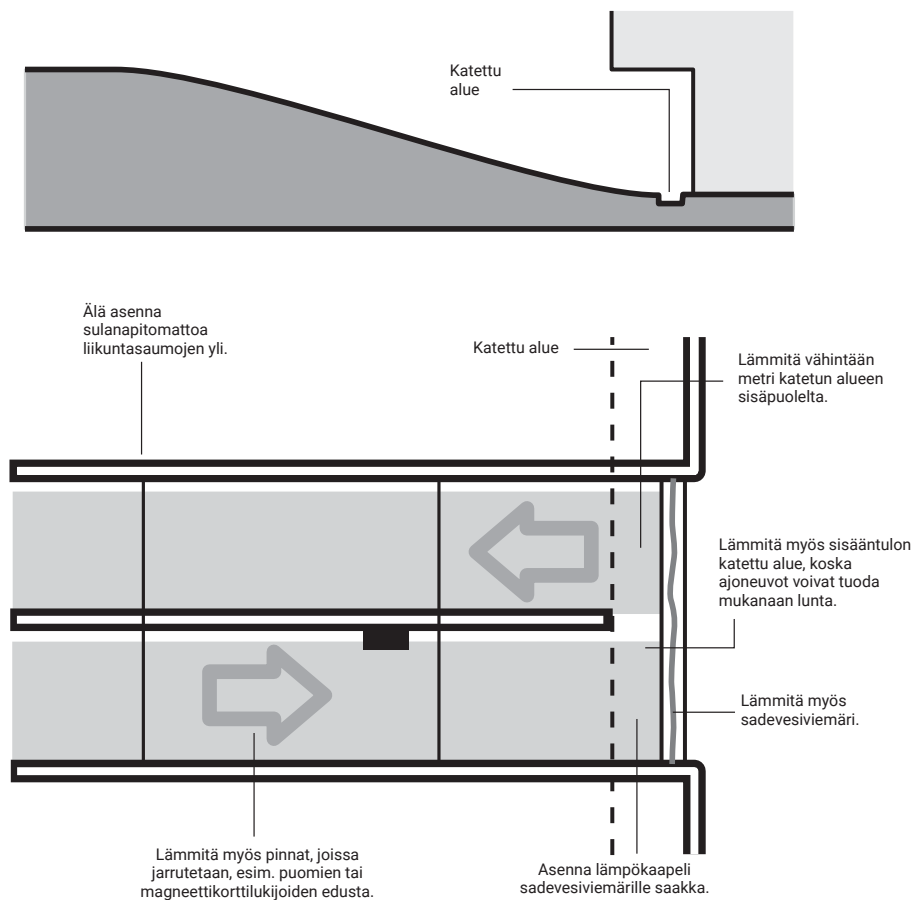
- Asennuksen vähimmäislämpötila on -5°C
- Säilytyslämpötila: -40°C – $+45^{\circ}\text{C}$
- Säilytä kaikkia järjestelmän osia puhtaassa ja kuivassa paikassa.

Testauslaitteisto

- 2500 V DC:n eristysvastusmittari (vähintään 500 V DC)
- Resistanssimittari

Lämmitettävä alue

Määrittele lämmitettävä alue, esim. ajo-urat. Ota huomioon seuraavat asiat:



Varmista ensin, että lämmitettävä alue vastaa suunnitteluohjeita. Merkitse kytkentärasioiden paikat ja varmista, että liitäntäjohtimet ovat tarpeeksi pitkiä.

Sulanapitomaton kylmäkaapelin pituus on 5 metriä. Puhdista alusta kunnolla ennen sulanapitomaton asennuksen aloittamista, sillä terävät esineet voivat vaurioittaa lämpökaapelia.

Älä lyhennä tai jatka WinterGard sulanapitomattoa.

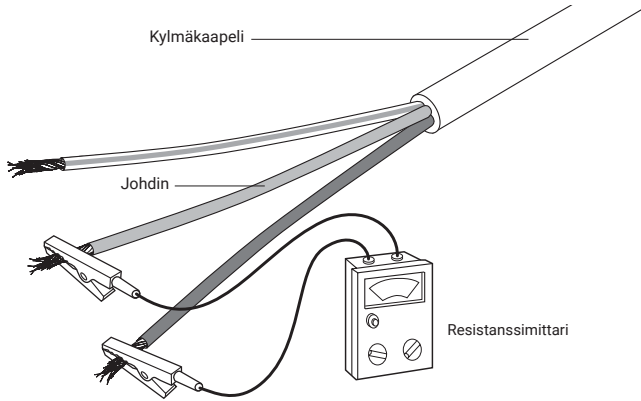
Alustan valmistelu

Sulanapitomatto asennetaan tasaiselle alustalle. Vapaasti tuetuissa rakenteissa alusta voi koostua viimeistellyistä laatoista, esijännitetystä betonista tai vapaasti tuetusta rakenteesta, jossa on valettua betonia.

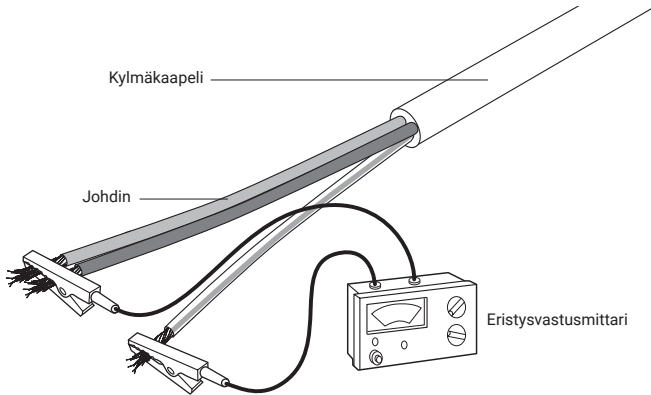
Sulanapitomatto voidaan asentaa mille tahansa näistä pinnoista. Valetulle betonille asennettaessa pitää varmistaa, että pinta on tasainen eikä siinä ole teräviä reunoja. Kiinteällä alustalla olevat ajotiet eivät vaadi ylimääräistä lämpöeristystä. Suorita tarvittavat valmistelut ennen lämpötila- ja kosteusanturin asennusta.

Kaapelin resistanssin ja eristysvastuksen mittaus

Sulanapitomatto testataan mittaamalla johtimen resistanssi ja kaapelin eristysvastus. Johtimen resistanssi mitataan resistanssimittarilla. Lukema voi poiketa 10 % nimellisresistanssista. Katso sivun 10 taulukko.



Mittaa eristysvastus 2500 V DC:n (vähintään 500 V DC) eristysvastusmittarilla. Lukeman tulee olla vähintään 100 M Ω .



Kirjaa mitatut arvot toimitukseen sisältyvään mittauspöytäkirjaan.



Sulanapitomaton asennus

Asennuksen ja sähköisen testauksen saa suorittaa vain asennusoikeudet omaava sähköasentaja.

Sulanapitomatto asennetaan ulkoalueiden sulanapitoon.

Epäsäännöllisen muotoisten alueiden kattamista varten maton nauhoitusta (ei lämpökaapelia) voidaan leikata.

- Lämpökaapeli on erotettava muista lämmönlähteistä, kuten valaisimista ja savupiipuista.
- Betonille/asfaltille on annettava riittävästi aikaa kuivua tai kovettua lämmitysjärjestelmän asentamisen jälkeen ja ennen lämmitysjärjestelmän käynnistämistä.
- Lämpökaapelia/-mattoa ei saa lyhentää eikä jatkaa.
- Lämpökaapelia/-mattoa ei saa kytkeä päälle rullamuodossa.
- Käsittele kaapelia ja jatkosta erityisen varovasti. Älä vedä kylmäkaapelia, se voi vaurioittaa jatkoksen.

Huomioi, että maton lämpökaapelia ei saa:

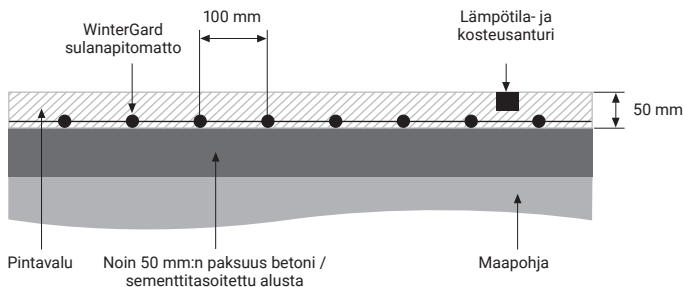
- leikata tai vahingoittaa,
- asentaa ristiin,
- asentaa 10 cm lähemmäs toista kaapelia,
- asentaa liikuntasaumojen yli.

Pienin kaapelin asennusväli on 10 cm

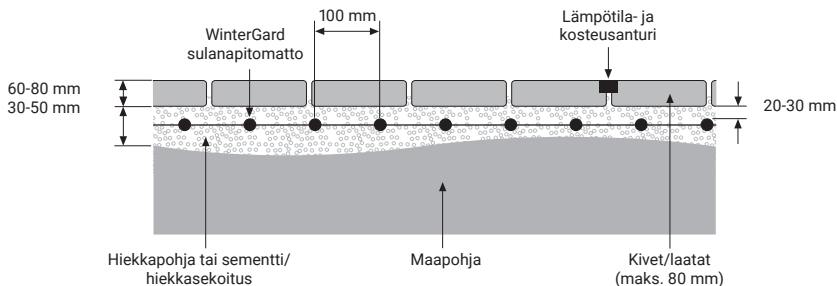
Sulanapitomatot tulee kiinnittää alla olevaan pintaan niin, että ne eivät pääse liikkumaan asennuksen aikana.

Suojaa kylmäkaapeli suojaputkella. Lämpökaapeli ja sekä lämpö/kylmäjatkos että loppupääte pitää peittää betonilla tai kuivalla hiekalla tai asfaltilla valitusta pintamateriaalista riippuen.

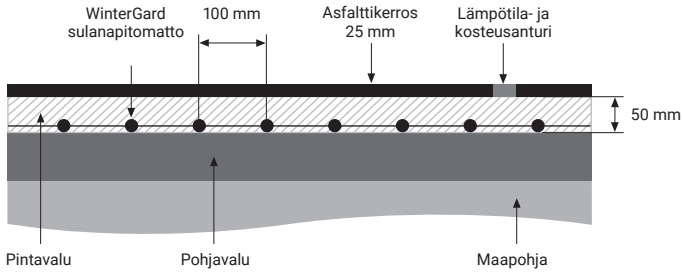
Asennus betoniin / asfalttiin



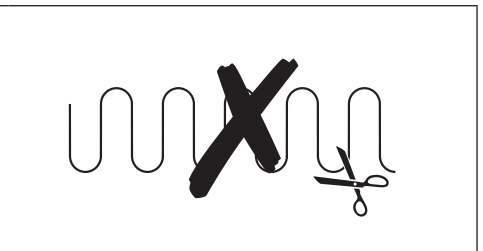
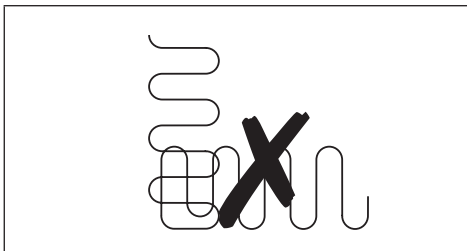
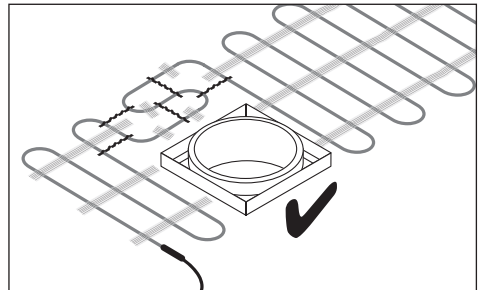
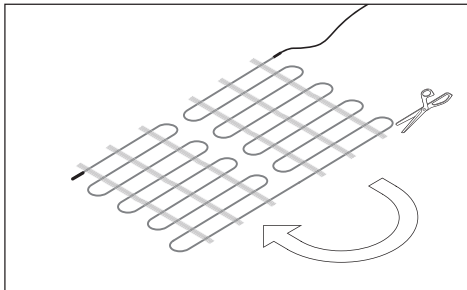
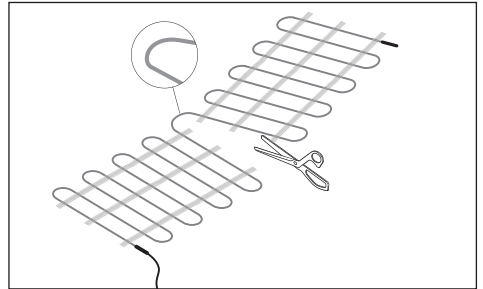
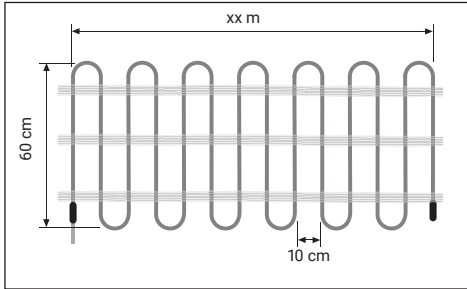
Asennus hiekkään kivityksen alle



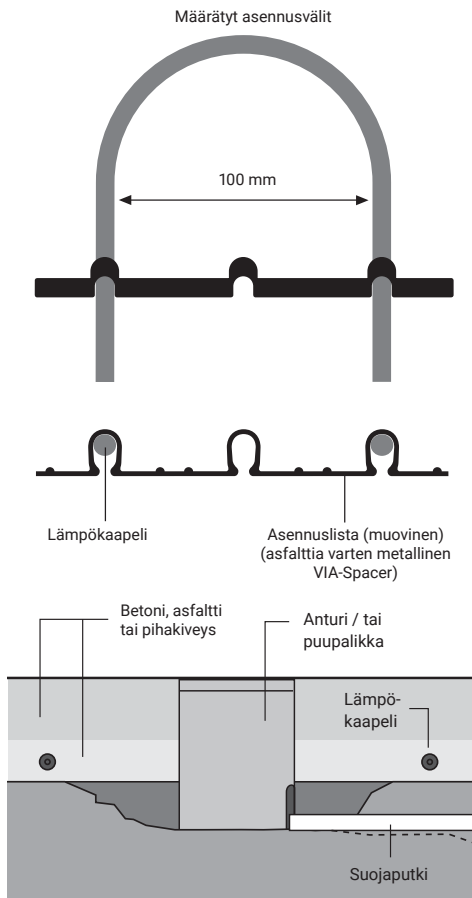
Asennus betoniin asfaltin alle.



Jos lämpökaapeli pitää irrottaa matosta, asentajan pitää käyttää muovisia asennuslistoja (asfalttia varten metallinen VIA-SPACER) tai muuta kiinnitysmenetelmää yhdenmukaisten asennusvälien säilyttämiseksi.



Käytä asennuslistaa irtonaisten kaapeliin asennukseen

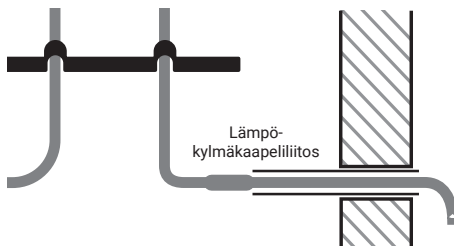


- Vie anturin johdin suojaputkessa sulanapitomaton kanssa pintakerroksen alle.

Suojaputken asennus kylmäkaapelille

Asenna jatkos niin, että se ei ole suojaputkessa. Jatkoksen tulee olla betonissa tai asfaltissa joka jäädyttää sitä. Kylmäkaapeli pitää suojata mekaanisesti soveltuvalle suojaputkella.

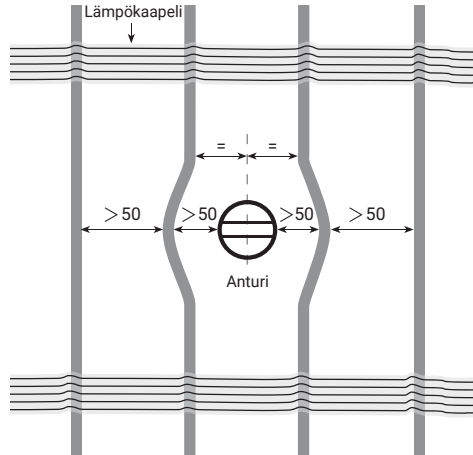
Asfalttiasennuksessa kylmäkaapelit on suojattava sopivalla putkella (joka soveltuu 240°C:n lämpötilaan lyhytaikaisesti) ja sen päät on tiivistettävä, jotta asfaltti ei pääse vuotamaan sisään. Vie kaapelin kylmäkaapeli putken läpi liitännärasiaan.



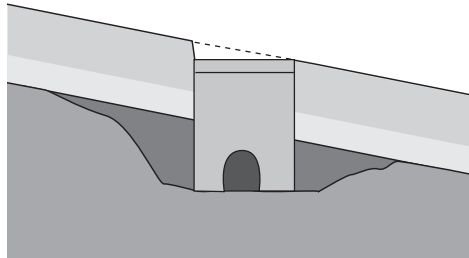
Lämpötila- ja kosteusanturin (3) asennus

Asenna lämpötila- ja kosteusanturi yksikön mukana tulleiden ohjeiden mukaisesti. Varmista, että se on tuettuna oikealla korkeudella. Jos anturissa on erillinen kotelo ja anturi, asenna vain kotelo tässä vaiheessa.

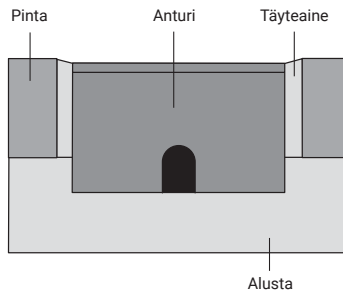
- Aseta anturi lämpökaapeleiden väliin.
- Ennen betonin/asfaltin valamista ja sen aikana aseta puupalikka maahan anturille varattuun paikkaan.



- Suojaa anturin johdin metallisella suojaputkella (6).
- Asenna anturi pystysuoraan, myös kaltevilla pinnoilla.



Anturi





EN

DE

FR

PL

CZ

RU

NL

SV

NO

FI

Asennuksen tarkistus

Sulanapitomaton tarkistus

- Tarkista silmämääräisesti, että sulanapitomatto on ehjä.
- Varmista, että kaapeli on kiinnitetty alustaan siinäkin tapauksessa että se on irroitettu matosta.
- Varmista, että asennusväliit on säilytetty ja että sulanapitomatto ei osu liikuntasaumoihin, teräviin reunoihin tms.
- Varmista, että lämpökaapeli on asennettu oikeaan syvyyteen.
- Tarkista silmämääräisesti, että liitäntäjohtimet on asennettu oikein.

Asennusluonnoksen tekeminen

Kirjaa piiriin asennukset ja erityisesti liitäntäjohtimien paikat. Valokuvaaminen on hyvä apukeino dokumentoida asennus.

Suurita resistanssitestit

Paljasta asennuksen aikana tai sen jälkeen mahdollisesti tulleet vauriot mittaamalla kaikkien piiriin resistanssiarvot. Eristysvastuksen arvon on oltava suurempi kuin 100 MΩ. Kirjaa kaikkien piiriin arvot mittauspöytäkirjaan.

Päällysteen asennus

Tarkistukset

Tarkista seuraavat asiat ennen pintakerroksen levittämistä:

- Tarkista, että lämpökaapeli on ehjä.
- Tarkista tarvittaessa lämpökaapelin asennusväliit ja -syvyys.

Resistanssitestit

On suositeltavaa suorittaa kaikkien lämmityspiiriin resistanssitestit ennen päällysteen levittämistä, jotta voidaan havaita asennuksen jälkeen mahdollisesti tulleet vauriot. Kirjaa kaikkien lämmityspiiriin resistanssit mittauspöytäkirjaan.

Ennen pintakerroksen levittämisen aloittamista, pyydä työntekijöitä varmistamaan resistanssitulokset ja allekirjoittamaan mittauspöytäkirja.

Päällystystyöt

Kun päällystystyöt on saatu päätökseen, tee resistanssitestit ja kirjaa arvot mittauspöytäkirjaan.

Sadevesiviemärin sulanapito itesesätyvällä GM-2XT lämpökaapelilla

Tarkoitus

Sadevesiviemärin sulanapitojärjestelmä varmistaa, että sulanut vesi pääsee valumaan pois.

Huomautus: Sadevesiviemärin lämmityspiiriä on ohjattava samalla ohjausjärjestelmällä kuin muitakin lämmityspiirejä.

KytKentärasian (10) asennus

Valitse paikka:

- viemärin läheltä
- sisätiloista, jos mahdollista.

KytKentäpakkauksen (11) asennus

Päätä GM-2XT lämpökaapeli kytKentärasiaan kytKentäpakkauksen ohjeiden mukaisesti.

Lämpökaapelin (12) asennus

Suojaa lämpökaapeli suojaputkella kytKentärasian ja viemärin välissä. Lämmitä koko viemärin pituus, jotta vesi pääsee aina valumaan pois.

Loppupäätteen (13) asennus

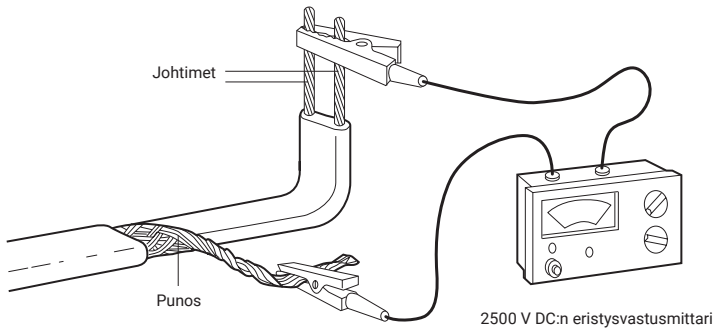
Asenna loppupäätte (CCE-04-CT tai E-06) loppupäättepakkauksen ohjeiden mukaisesti.

Eristysvastusmittauksen tekeminen

Eristysvastusmittaus paljastaa lämpökaapeliin tulleet vauriot, kuten viillot ja reiät. Se suositellaan tehtäväksi 2500 V DC mittarilla. Laitteet, joissa jännite on pienempi, eivät ole tarpeeksi herkkiä eivätkä siksi suositeltavia. Laitteen testijännitteen tulee olla vähintään 500 V DC.

Toimi seuraavasti:

- Kytke yksi mittausjohdin lämpökaapelin punokseen.
- Kytke toinen mittausjohdin lämpökaapelin molempiin johtimiin.
- Kytke jännite. Eristysvastuksen arvon on oltava suurempi kuin 100 MΩ.
- Jos eristysvastus on tätä pienempi, lämpökaapeli on vaurioitunut. Jos mahdollista, paikanna vika ja korjaa se tai vaihda se uuteen. Kirjaa eristysvastusarvo mittauspöytäkirjaan.



Viimeistely

Asenna sadevesiviemärin päälle ritilä suojaamaan lämpökaapelia vaurioilta.

Huomautus: 30 mA:n vikavirtasuojakytkin (RCD) vaaditaan sadevesiviemärin sulanapidon yhteydessä. Varmista, että yhteen 16 A:n johdonsuoja-automaattiin on kytketty korkeintaan 60 m lämpökaapelia.

Viimeistely

Anturin viimeistely

Viimeistele (tarvittaessa) anturin asennus.

Keskuksen ja ohjausyksiköiden asennus

Asenna sähkökeskus valmistajan ohjeiden mukaisesti. Asenna ohjausyksiköt, termostaatit ja manuaaliset ohjauslaitteet valmistajan ohjeiden mukaisesti.

Viimeistele kytkennät ja järjestelmä

Noudata paikallisia määräyksiä.

Käyttö

Ensimmäinen käynnistys

Sähkövaatimukset

Suorita kaikki sähkötestaukset paikallisten määräysten mukaisesti. Asenna kytkennät suunnittelupiirrosten mukaisesti. Tarkista kaikkien suojalaitteiden oikea luokitus.

Säätimen tarkistukset

Tarkista säädinyksikön mukana toimitettujen ohjeiden mukaisesti.

Resistanssitestit

Tee viimeinen eristysvastusmittaus varmistaaksesi, että liitäntäjohdin ja syöttökaapeli eivät ole vaurioituneet asennuksen jälkeen.

Yleinen käyttö ja huolto

Järjestelmässä ei ole liikkuvia osia, minkä ansiosta sen huollontarve on erittäin vähäinen. Noudata paikallisia sähkölaitteiden huoltomääräyksiä.

Tarkista johdonsuoja-automaatit säännöllisesti. Testaa vikavirtasuojakytkimet (RCD) vähintään kerran vuodessa.

Tarkista järjestelmän ohjausyksiköt säännöllisesti.

Varmista, että ohjausyksiköt toimivat oikein.

Suurin sallittu sulanapitomattoon kohdistuva lämpötila on maks. 65°C (Asfaltin valussa sallitaan lyhytaikaisesti +240 astetta.). Asentajan on toimitettava asennuspiirustus käyttäjälle/omistajalle.



Vian määrittäminen

VAROITUS: Katkaise jännite luotettavasti, ennen kuin alat työskennellä sähköjärjestelmän parissa.

Ongelma A: Johdonsuoja-automaatin laukeaminen.

Mahdolliset syyt	Korjaava toimenpide
Sähkövika: <ul style="list-style-type: none"> • syöttö- tai kylmäkaapelissa • vahingoittuneessa lämpökaapelissa 	Paikanna ja korjaa vika. Vaihda tarvittaessa johdonsuoja-automaatti.
Liian pieni suojaus.	Määrittele nykyinen kuormitus ja asenna uusi suojaus. (Huomautus: jos vaihdat suojaus, varmista että se sopii yhteen syöttökaapelin kanssa.)
Viallinen suojaus.	Vaihda johdonsuoja-automaatti.

Ongelma B: Vikavirtasuojajytkimen laukeaminen.

Mahdolliset syyt	Korjaava toimenpide
Liikaa kosteutta kytkentärasiaassa.	Kuivaa rasia sekä vaihda viallinen tarvittaessa. Tee eristysvastusmittaus.
Maavuoto: <ul style="list-style-type: none"> • liitännässä • vaihda vikavirtasuojajytkin. 	Paikanna ja korjaa vika sekä nollaa tai vaihda vikavirtasuojajytkin.
Liian suuri vuotovirta: liian pitkä syöttö- tai lämpökaapeli.	Korjaa ongelma ja tee uusi suunnitelma.
Kontaktorin äkilliset iskut.	Vaihda parempaan kontaktoriin.
Jännitepiikit verkkovirrassa.	Nollaa vikavirtasuojajytkin. Jos tämä ei auta, käytä toista virtalähdettä.
Viallinen vikavirtasuojajytkin.	Vaihda vikavirtasuojajytkin.

Ongelma C: Jää/lumi ei sulaa.

Mahdolliset syyt	Korjaava toimenpide
Ylivirrasta tai vikavirtasuojajytkimen käytöstä johtuva syöttövirran menetys.	Noudata A- ja B-kohtien toimenpiteitä.
Syöttökaapeli poikki.	Paikanna ja korjaa vika.
Järjestelmän säätimien virheellinen asetus tai toiminta.	Korjaa järjestelmän säätimet tai muuta järjestelmän säätimien asetus oikeaksi.
Vääräkokoinen tai vaurioitunut kontaktori.	Korjaa vika.

Ongelma D: Jää/lumi alkaa sulaa, mutta järjestelmä menee liian aikaisin pois päältä

Mahdolliset syyt	Korjaava toimenpide
Järjestelmän säätimien virheellinen asetus tai toiminta.	Korjaa järjestelmän ohjausyksikkö tai muuta järjestelmän säätimien asetus oikeaksi.



EN

DE

FR

PL

CZ

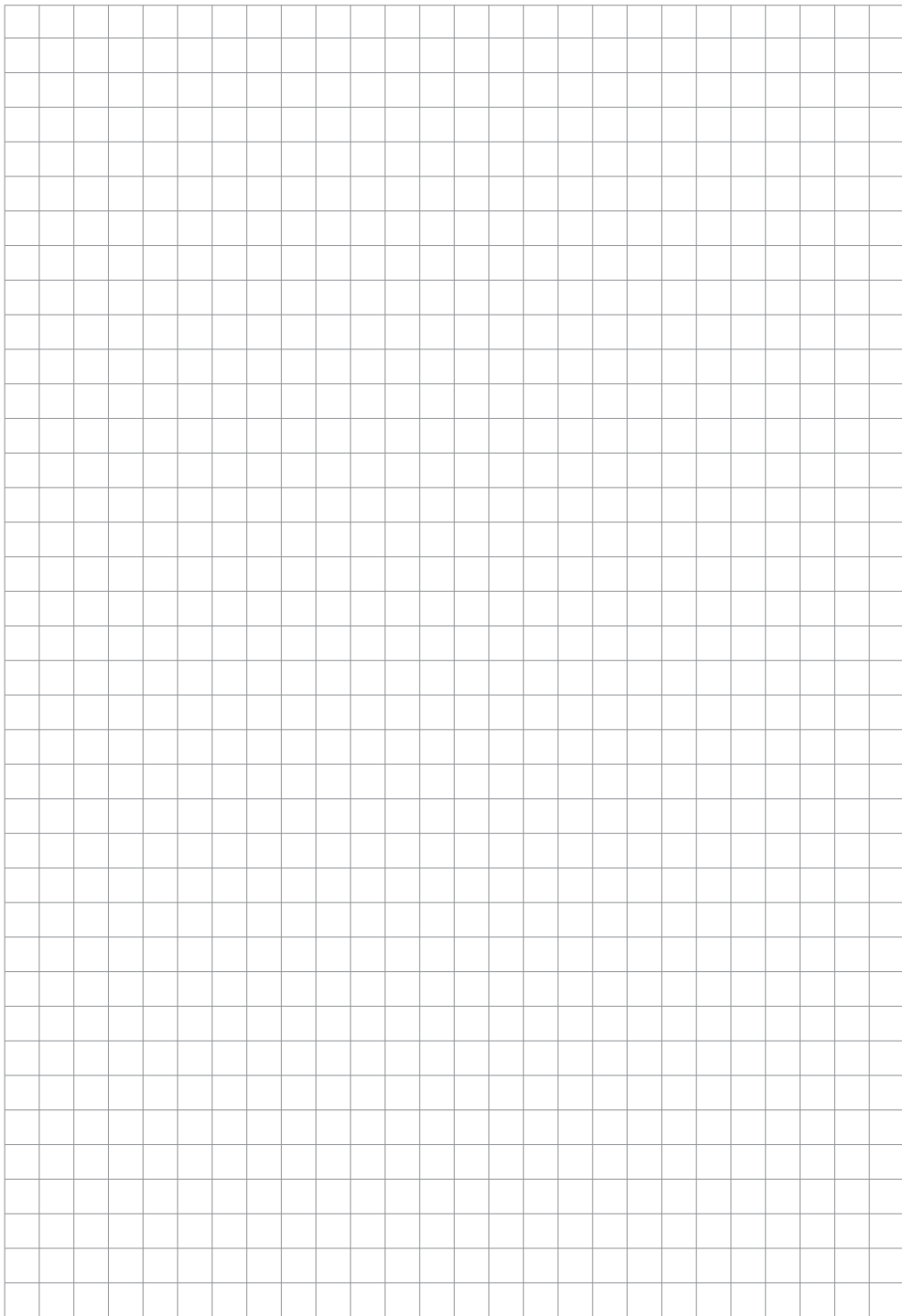
RU

NL

SV

NO

FI



België/Belgique

Tel +32 16 21 35 02
Fax +32 16 21 36 04
salesbelux@nVent.com

Bulgaria

Tel +359 5686 6886
Fax +359 5686 6886
salesee@nVent.com

Česká Republika

Tel +420 606 069 618
czechinfo@nVent.com

Denmark

Tel +45 70 11 04 00
salesdk@nVent.com

Deutschland

Tel 0800 1818205
Fax 0800 1818204
salesde@nVent.com

España

Tel +34 911 59 30 60
Fax +34 900 98 32 64
ntm-sales-es@nVent.com

France

Tél 0800 906045
Fax 0800 906003
salesfr@nVent.com

Hrvatska

Tel +385 1 605 01 88
Fax +385 1 605 01 88
salesee@nVent.com

Italia

Tel +39 02 577 61 51
Fax +39 02 577 61 55 28
salesit@nVent.com

Lietuva/Latvija/Eesti

Tel +370 5 2136633
Fax +370 5 2330084
info.baltic@nVent.com

Magyarország

Tel +36 1 253 7617
Fax +36 1 253 7618
saleshu@nVent.com

Nederland

Tel 0800 0224978
Fax 0800 0224993
salesnl@nVent.com

Norge

Tel +47 66 81 79 90
salesno@nVent.com

Österreich

Tel 0800 29 74 10
Fax 0800 29 74 09
salesat@nVent.com

Polska

Tel +48 22 331 29 50
Fax +48 22 331 29 51
salespl@nVent.com

Republic of Kazakhstan

Tel +7 495 926 18 85
Fax +7 495 926 18 86
saleskz@nVent.com

Россия

Тел +7 495 926 18 85
Факс +7 495 926 18 86
salesru@nVent.com

Serbia and Montenegro

Tel +381 230 401 770
Fax +381 230 401 770
salesee@nVent.com

Schweiz/Suisse

Tel +41 (41) 766 30 80
Fax +41 (41) 766 30 81
infoBaar@nVent.com

Suomi

Puh 0800 11 67 99
salesfi@nVent.com

Sverige

Tel +46 31 335 58 00
salesse@nVent.com

Türkiye

Tel +90 545 284 09 05
Fax +32 16 21 36 04
salesee@nVent.com

United Kingdom

Tel 0800 969 013
Fax 0800 968 624
salesthermalUK@nVent.com



nVent.com/RAYCHEM

©2023 nVent. All nVent marks and logos are owned or licensed by nVent Services GmbH or its affiliates. All other trademarks are the property of their respective owners. nVent reserves the right to change specifications without notice.

RAYCHEM-IM-EU2080-WinterGardMat-ML-2301