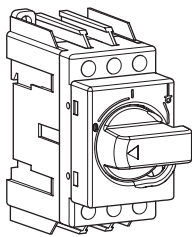

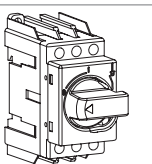
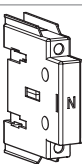


6LE002343Aa

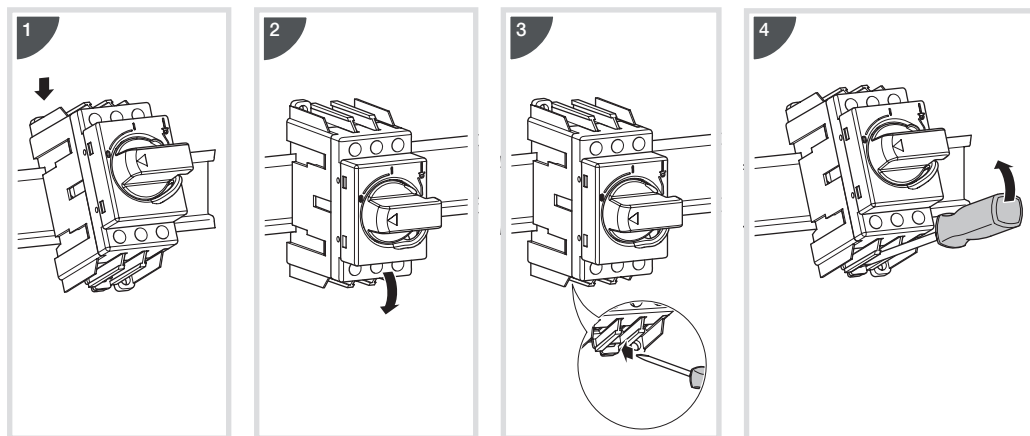


HAS304, 306 + Additional pole HZS301

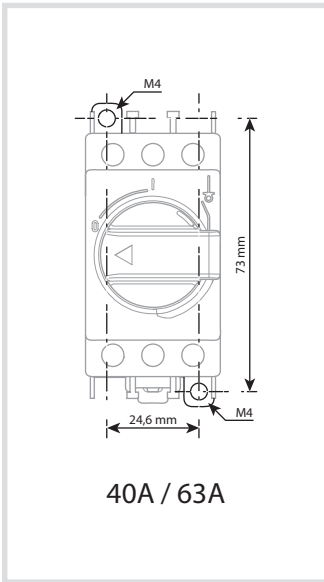
Operating Instructions

	Switch		Additional pole	 HAZARDOUS VOLTAGE <ul style="list-style-type: none"> • Can cause electrical shock and burns. • Disconnect power before performing an intervention on this equipment • Where possible, use insulated tools
40 A : HAS304 63 A : HAS306		HZS301		

Fixing



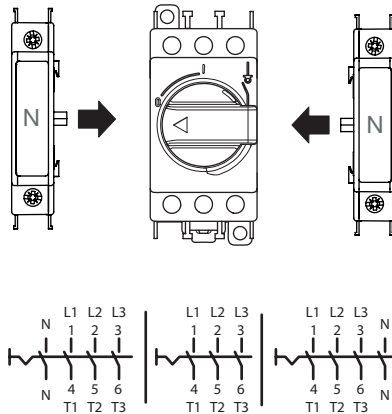
Fixing



Configuration



When mounting or removing the additional pole, the switch has to be in the OFF position to avoid damages to mechanism.



Assembly of additional pole

