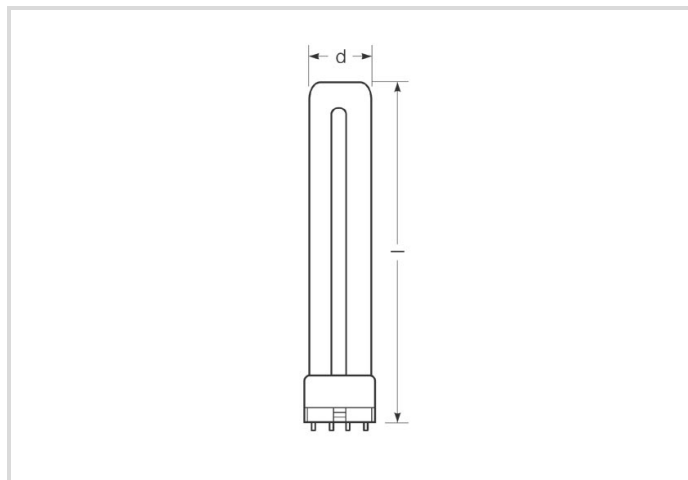


Compact fluorescent lamp Ralux® Long

RX-L 36W/830/2G11

Radium

Product Datasheet Date: 30.09.2021



A



G



2900



3000K




20 000h



Dimmable

General Data

Article No.	31316119
Code	RX-L 36W/830/2G11
Product EAN	4008597161193
Customs tariff no.	85393190
Box quantity (pcs.)	10
EAN Box	4008597461194
Gross weight of box in kg	1.306
Length of box in m	0.448
Width of box in m	0.139
Height of box in m	0.1
ETIM class	EC000087
ETIM class name	Compact fluorescent lamp without integrated ballast
Product status	 Phase Out

Electric Parameters

Lamp nominal wattage	36 W
Rated wattage	36.0 W
Energy Consumption kWh/1000h	39,6

Electric Parameters

Mains voltage	230 V
Compensation capacitor for 50Hz operation	4.4 µF
dimnable	Yes

Light Application Parameters

Luminous flux	2900 lm
max. luminous flux at	25 °C
Luminous efficiency	80.56 lm/W
Radium light colour	warm white
Colour temperature	3000 K
Colour rendering index Ra	80-89
Mean luminance	2.8
Lumen maintenance at 2000h	0.94
Lumen maintenance at 4000h	0.90
Lumen maintenance at 6000h	0.88
Lumen maintenance at 8000h	0.85
Lumen maintenance at 12000h	0.84
Lumen maintenance at 16000h	0.81
Lumen maintenance at 20000h	0.80

Service Life

Average nominal lifespan	20000 h
No. switching cycles	>50000
Lamp survival factor at 2000h	0.99
Lamp survival factor at 4000h	0.99
Lamp survival factor at 6000h	0.99
Lamp survival factor at 8000h	0.99
Lamp survival factor at 12000h	0.95
Lamp survival factor at 16000h	0.81
Lamp survival factor at 20000h	0.50

Specification

Energy Label A to G	G
Energylabel A++ to E	A
Diameter	38 mm
Length max.	411 mm

Specification

Total length	411 mm
Mercury content	1.7 mg
Base	2G11
Colour	Other

Miscellaneous

EU Directive	TIM
--------------	-----

Notes

Compact fluorescent lamp, light colour 830, high luminous efficiency, good colour rendering, long life, base 2G11. Controllable by Dim-ECG.

Please, refer to www.radium.de/recycling for notes on disposal of burned-out lamps as well as lamp breakage.

The "lifespan L70" described for LED lamps indicates the number of hours when the luminous flux has decreased to 70% of its initial value.

The optimal field 'info about service life' contains the frame conditions according to standards based on which the specific service life has been determined. So, for example, "12B50, 50Hz" means that the mean service life (B50) has been determined with a 12h switching cycle at mains (frequency 50Hz), "3B50, HF" is based on a 3h switching cycle at electronic control gear (high frequency).

Base



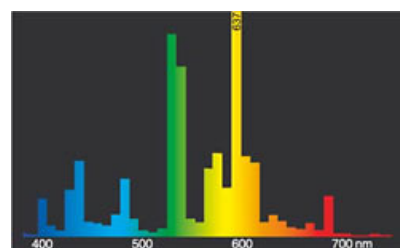
2G11
IEC/EN 60061-1
sheet 7004-82-1

Spectrum

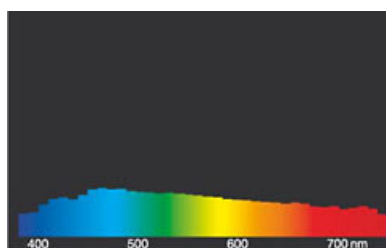
Natural daylight is a mixture of direct sunlight and the light of the sky. Therefore, its spectral composition changes permanently due to the changing time of day. The standardised light classification D65 corresponds to a daylight with a colour temperature of approximately 6500 K.

Every fluorescent lamp type has got an individual spectral power distribution according to its phosphor coating inside the bulb. From this result important properties light colour or colour rendering.

Visible region from 380 to 780 nm; height of graph corresponding with relative spectral emission (400mW/klm) per 10nm.



light colour 830 Spectralux® Warm white (31)



daylight(D 65)

Special features



General notes

The technical design data in accordance with DIN and IEC. The producer does not take any responsibility for damage to persons or property in case of unsuitable operation or handling of the product. Operating data and dimensions are valid within the usual tolerances. Related lamp types (different bases, mains voltages) may be available on request. Sale and delivery are effected in accordance with the Radium Terms of Delivery and Payment valid on the day of conclusion of contract. Packing units offer economical advantages to the purchase and logistic department. Please match your

Compact fluorescent lamp Ralux® Long

RX-L 36W/830/2G11

Radium

quantity volume accordingly. For orders of a minimum quantity (clefts) with a lamp model the amount lower than the volume of each packaging unit, we will invoice 10 % additional charge per lamp type. Technical changes and terms of delivery are reserved. Manipulation of any kind to packaging or product is not permissible as this will violate Radium brand rights. Furthermore, technical properties of the product can change to its disadvantage or even destruction. Therefore, Radium cannot be responsible for consequential damages.

® = Registered trademark

Subject to change without notice. Errors and omissions excepted.

All technical data without guarantee.